

PK10

PE Pickleball System

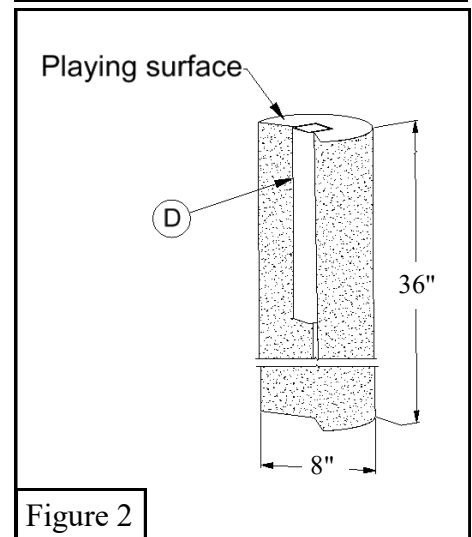
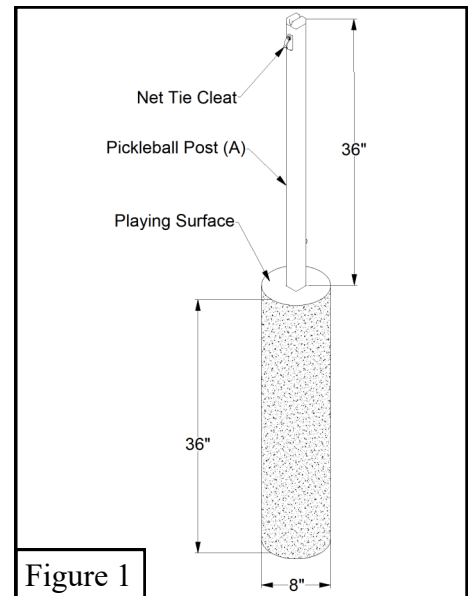


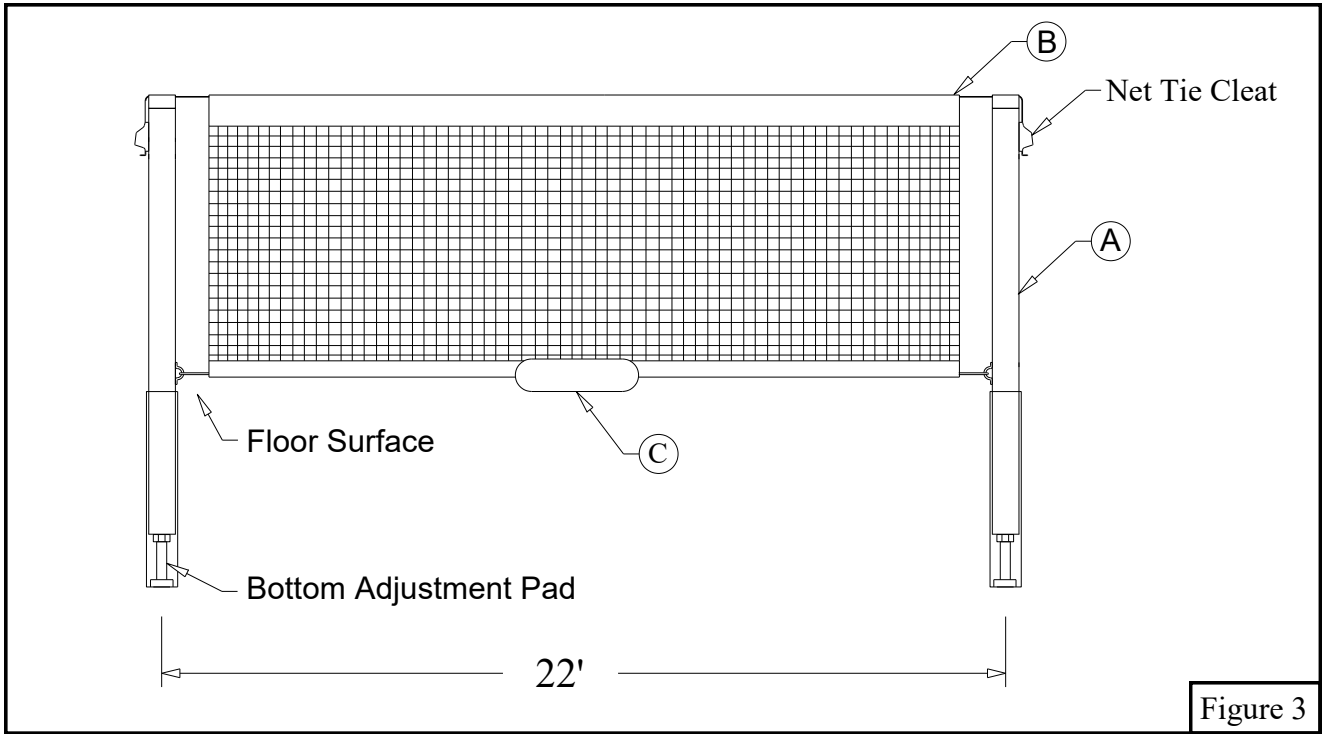
Customer Service
(800) 247-7668

PARTS LIST					
Item	Qty	Description	Item	Qty	Description
A	2	Pickleball Post	D	2	PK21 Floor Socket (optional)
B	1	Pickleball Net	E	2	BM300A, BM350A or BM400A Post Adapter (optional)
C	1	Center Net Hold Down			

- ◆ Inspect all contents prior to installation. Report any missing parts to dealer immediately.
- ◆ Read all instructions before proceeding.

1. For permanent installation dig 8" diameter holes 36" deep and 22 feet apart. Make sure the top of *Pickleball Posts* (A) are 36" above the playing surface, net tie cleats square to the playing surface and the *Pickleball Posts* (A) are level. Fill hole with concrete. See Figure 1, 3 and Pickleball Court Diagram on the back page.
2. Purchase optional *PK21 Floor Sockets* (D) for removable *Pickleball Post* (A) installation. Dig 8" diameter holes 36" deep and 22 feet apart, fill with concrete. Insert *PK21 Floor Sockets* (D) into the wet concrete. Make sure *PK21 Floor Sockets* (D) are square and flush to the playing surface. Make sure to keep wet concrete out of the *PK21 Floor Socket* (D). Use the bottom adjustment pad to achieve 36" *Pickleball Post* (A) height. See Figure 2, 3 and Pickleball Court Diagram on the back page.
3. Use *BM300A, BM350A or BM400A Post Adapters* (E) (not shown) to set up a pickleball court on an existing indoor volleyball court with existing volleyball post sockets. *BM300A, BM350A or BM400A Post Adapters* (E) are available for 3", 3 1/2" or 4" sockets.
4. Run both ends of the top rope of *Pickleball Net* (B) through the groove in the top of *Pickleball Post* (A) and pull through net tie cleats. Tie off the bottom of *Pickleball Net* (B) on the bottom net tie loops. (B). See Figure 3.
4. Clip *Center Net Hold Down* (C) to the bottom center of *Pickleball Net* (B) and adjust until the center of *Pickleball Net* (B) measures 34" from the playing surface. See Figure 3.





Pickleball Court Diagram

