

————— **Instruction Manual** —————

IN STOCK

STATIONARY STRUCTURE



Customer Service
(800) 247-7668

Models: PKG46STRG(4'-6'), PKG68STRG(6'-8'), PKG82STRG(8'-12')

Item	Qty	Description	Item	Qty	Description
A	2	Extension Frame and Telescoping Extensions	L	1	1/4" Allen Wrench
B	3	Wall Boards	M	8	7/16" x 1 1/2" Carriage Bolt
C	2	Chain Eye Brackets	N	8	7/16" Flat Washer
D	2	3/16" Proof Chain	O	8	7/16" Lock Washer
E	12	Flanged Elevator Bolt	P	8	7/16" Hex Nut
F	20	3/8" Hex Nut	Q	2	Turnbuckle
G	28	3/8" Flat Washer	R	2	Chain Connector Bracket
H	20	3/8" Lock Washer	S	2	Chain Connector
I	4	3/8" x 2" Hex Bolt	T	1	Rim (packaged separately)
J	4	3/8" x 2 1/2" Hex Bolt	U	1	Backboard (packaged separately)
K	4	Saddle Clamp Half	V	1	Backboard Padding (packaged separately)

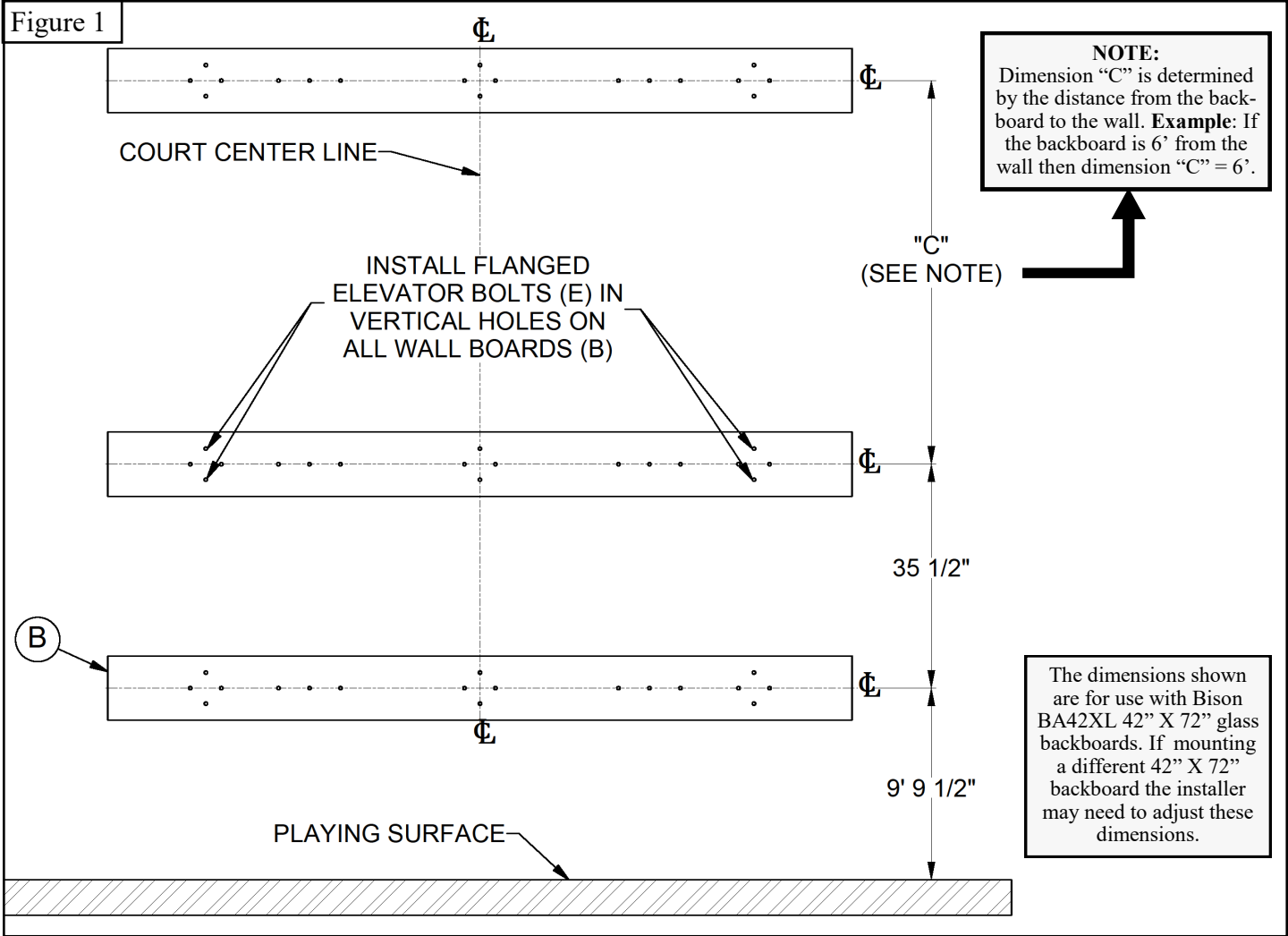
CAUTION!

Wall mount structures require a minimum ceiling and wall height as well as an acceptable wall mounting surface. Brick, block, or poured concrete walls are superior. It is inadvisable to mount structures to walls with wood or steel studs unless additional work approved by an engineer is done to provide additional support. Bison does not provide wall anchors with any structure. The purchaser assumes liability for the installation of any wall mounting structure. Consult a professional architect, engineer, or contractor to determine safe methods of installation to your facility's wall construction.

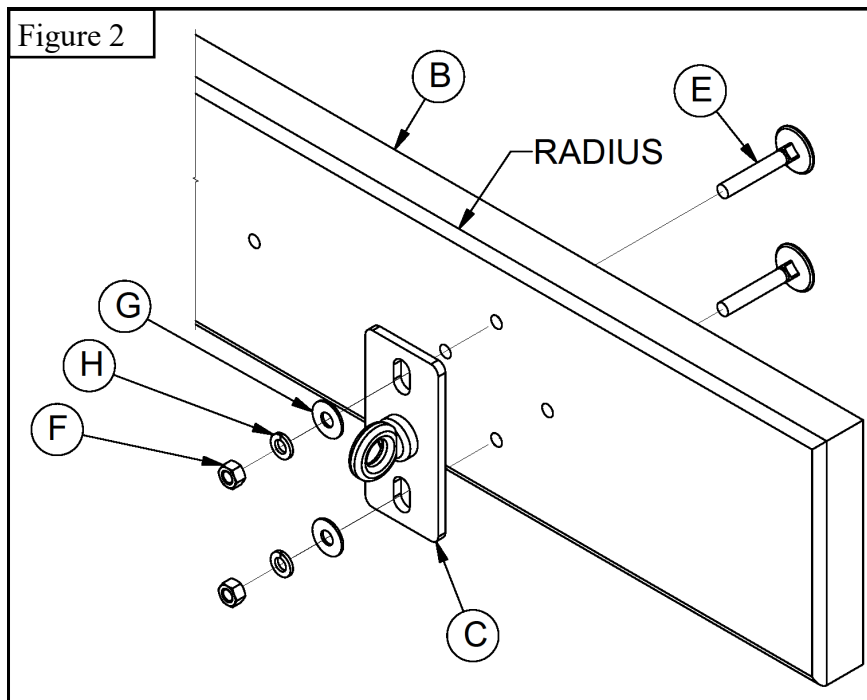
NOTE:

All assembly material are supplied except hardware to attach the wall board to the customer's wall. Attachment method and type of anchor used are the responsibility of the installer.

- ◆ Inspect all contents prior to installation. Report any missing parts to dealer immediately.
 - ◆ Read all instructions before proceeding.
1. Using a hammer, install the *Flanged Elevator Bolts* (E) into the back of each wall board in the holes indicated in Figure 1.



2. Mount *Chain Eye Brackets (C)* to the top *Wall Board (B)* using *3/8" Flat Washers (G)*, *3/8" Lock Washers (H)*, and *3/8" Hex Nuts (F)*. This wall board assembly will be mounted in the top position on the wall. See Figure 2.



3. Mark the center line of the court on the wall. Fasten the 3 *Wall Boards* (B) to the wall at the heights indicated in Figure 1 and centered with the center line of the court. Drill holes in *Wall Boards* (B) according to position and type of wall anchor chosen. Anchor each *Wall Board* (B) in no less than four places. If the wall is masonry (Brick over block), block, or poured concrete **and** it's possible to drill through the wall **and** you have access to the other side of the wall it is strongly recommended that the installer bolts through the wall using 1/2" bolts.

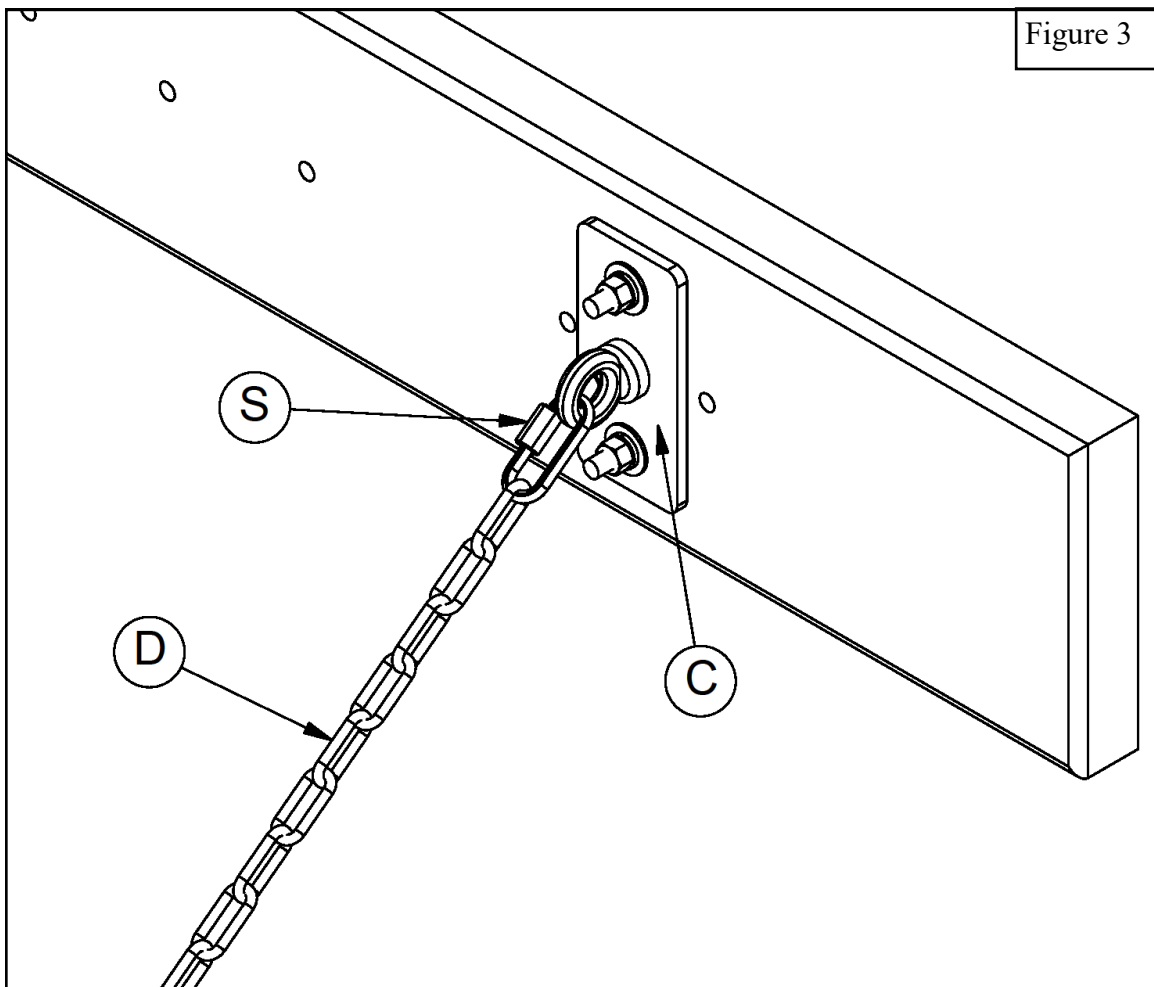
Warning!

Severe injury to players or fans may result from failure to select a proper anchoring system given the construction and condition of the wall or the improper use of the proper anchoring system.

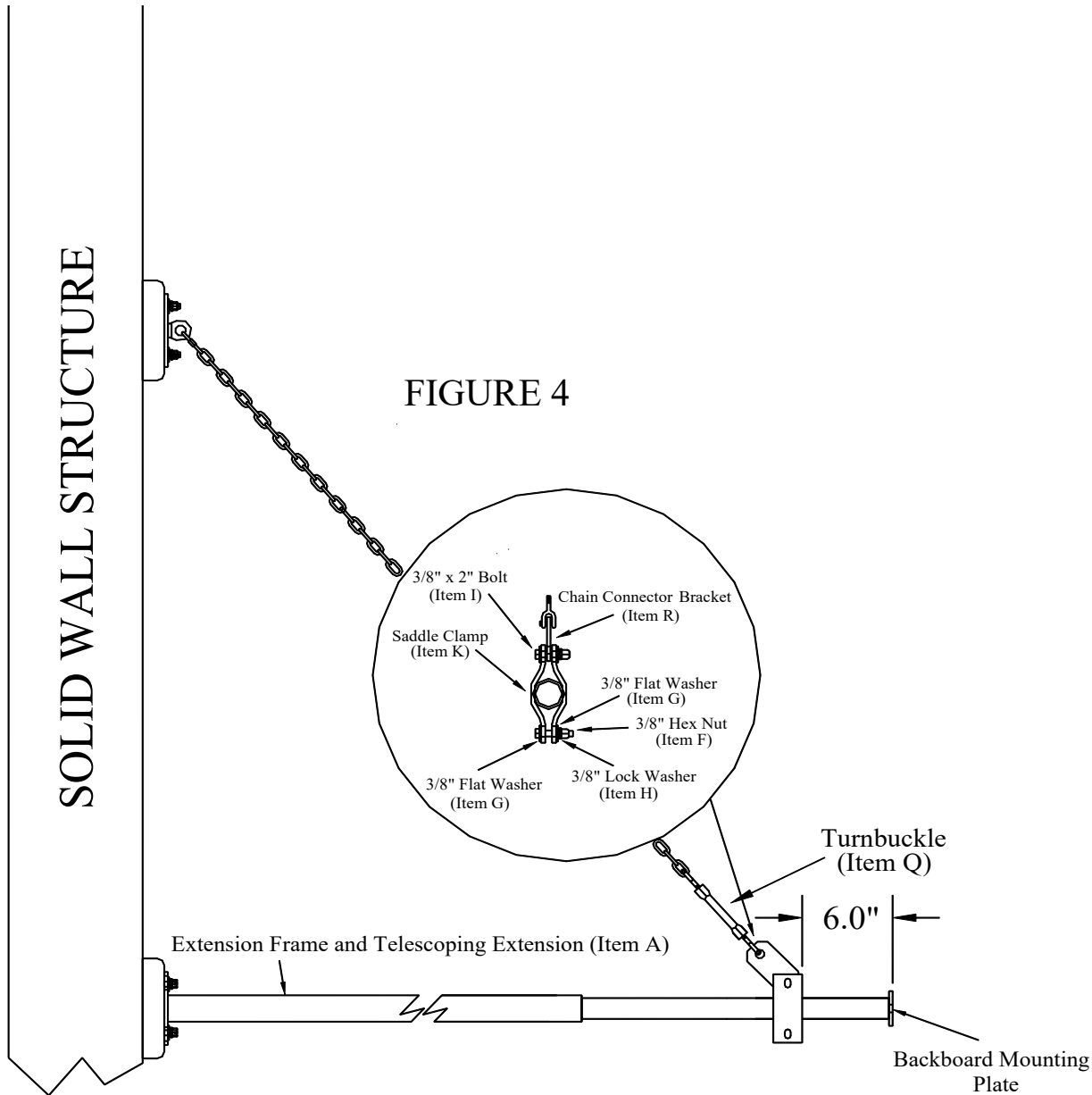
Note:

Bison model **BA950LR** AutoLoc Structure Catch is recommended especially for systems installed over bleachers.

4. Attach a *Chain Connector* (S) and a 3/16" *Proof Chain* (D) to each *Chain Eye Bracket* (C). See Figure 3.



- Attach an *Extension Frame (A)* to the middle *Wall Board (B)* using $3/8''$ *Hex Nuts (F)*, $3/8''$ *Flat Washers (G)*, and $3/8''$ *Lock Washers (H)*. You may need to support the *Extension Frame (A)* until step # 9 is complete. Adjust the telescoping extensions to the approximate desired distance from the wall. Tighten the hex socket set screws enough to hold the telescoping extension. These will be re-adjusted in a later step. See Figure 4.



- Mount the 4 *Saddle Clamp Halves (K)* to the *Telescoping Extensions (A)* approximately 6" From the backboard mounting plate of the middle *Extension Frame (A)* using $3/8''$ *Hex Bolts (I)*, $3/8''$ *Flat Washers (G)*, $3/8''$ *Lock Washers (H)*, and $3/8''$ *Hex Nuts (F)*. Attach the chains to the *Saddle Clamps (K)* so that the chains are tight. Using a level on the *Extension Frame (A)* adjust the chains with the *Turnbuckles (Q)* until the frame is level. **Do not remove excess chain until the assembly is complete.**

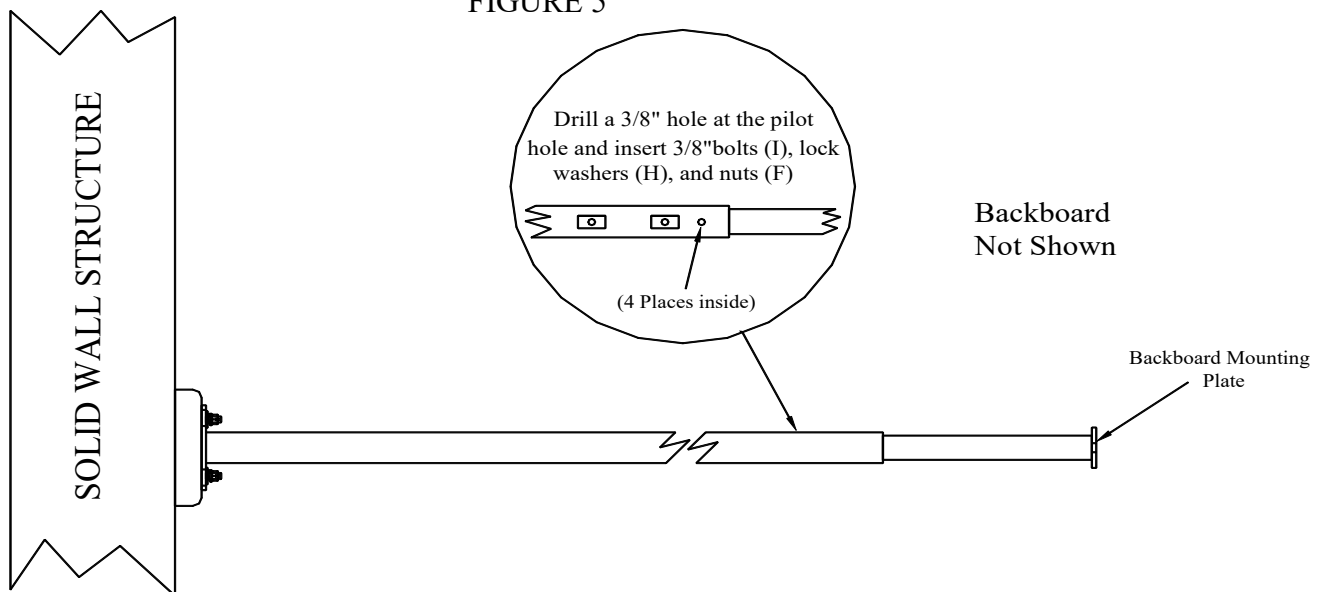
7. Attach the lower *Extension Frame (A)* to the lower *Wall Board (B)* as outlined in step # 5. You may need to support this *Extension Frame Assembly (A)* until the backboard is attached.
8. Adjust the *Telescoping Extensions (A)* so they are the same distance from the wall and the proper distance for wall to face of backboard positioning.
9. Mount the backboard to the structure. For use with Bison BA42XL Backboard, the *7/16" Hardware (M-P)* is required. Some backboards might require hardware not provided with this unit. Make sure the backboard is level.

Warning!

Failure to have all mounting plates in the same plane will create stress on the backboard and may result in breakage of glass backboards before, during, or after play begins.

10. When you are confident that the board is level, the proper distance from the wall and there is no stress on the backboard due to misalignment tighten all the set screws with the *1/4" Allen Wrench (L)*. Drill *3/8"* holes at the pilot holes on both frames and secure with *3/8" X 2 Hex Bolts (I)*, *3/8" Lock Washers (H)*, and *3/8" Hex Nuts (F)*. See Figure 5.
11. Mount the rim and net insuring that the rim is 10' from the playing surface and level.
12. Check to insure that all bolts are tight. When all the steps are complete, remove excess chain using a bolt cutter or hacksaw.
13. Install *Backboard Padding (V)* using the hardware and instructions provided with the padding
14. Do not allow play until you are confident the structure is securely mounted to the wall. The structure must be capable of supporting 1000 lbs. to be considered safe for play.

FIGURE 5



**Note:
WALL MOUNTED STRUCTURES SHOULD BE CHECKED
YEARLY FOR LOOSE BOLTS OR ANCHORS.**