

WALL MOUNTED SHOOTING STATIONS



Models PKG250, PKG275

Customer Service
(800) 247-7668

PARTS LIST					
Item	Qty	Description	Item	Qty	Description
A	1	Extension Arm Assembly	I	4	Backboard Mounting Angle
B	2	Wall Board	J	2	5/16" x 1 1/2" Carriage Bolt (not required on PKG275)
C	4	3/8" x 2 1/2" Flanged Elevator Bolt	K	8	5/16" x 1" Hex Bolt
D	4	3/8" Flat Washer	L	10	5/16" Flange Nut
E	4	3/8" Lock Washer	M	1	Backboard (packaged separately)
F	4	3/8" Hex Nut	N	1	Acrylic Hardware (packaged with backboard, PKG275 only)
G	2	Upper Backboard Support	O	1	Rim and Net (packaged separately)
H	2	Lower Backboard Support	P	TBD	Wall Mounting Hardware (specified and provided by customer)

WARNING!

Improper installation, maintenance or use may cause product failure and serious personal injury.

- ◆ Inspect all contents prior to installation. Report any missing parts to dealer immediately.
- ◆ Carefully read all instructions before proceeding. Pay special attention to the safety instructions on the next page.
- ◆ Save this instruction in the event that the manufacturer must be contacted in the future for maintenance information.

CAUTION!

Wall mount systems require a minimum ceiling and wall height as well as an acceptable wall mounting surface. Brick, block or poured concrete walls are superior. It is inadvisable to mount systems to walls with wood or steel studs unless additional work approved by an engineer is done to provide additional support. Bison does not provide wall anchors with any wall mount structure or system. The purchaser assumes liability for the installation of any wall mounting structure. Consult a professional architect, engineer or contractor to determine safe methods of installation to your facility's wall construction.

1. Drive two 3/8" x 2 1/2" *Flanged Elevator Bolts* (C) into the back side of each *Wall Board* (B). See Figure 1.
2. Using the *Wall Mounting Hardware* (P) that was selected by the installer suitable for use on the type of wall construction, mount the *Wall Boards* (B) to the wall at no less than 3 locations per *Wall Board* (B). If the predrilled wall mounting holes in the *Wall Boards* (B) interfere with joints or other wall obstructions, drill additional holes in the *Wall Boards* (B). See Figure 2.
3. Remove the 3/8" Hex lock nut and 3/8" x 6 1/2" Hex bolt from the upper channel of the *Extension Arm Assembly* (A) and attach the upper end of the rim height adjustment mechanism to the *Extension Arm Assembly* (A). Take care to avoid finger entrapment during attachment. See Figure 3.
4. Attach *Extension Arm Assembly* (A) to the four 3/8" x 2 1/2" *Flanged Elevator Bolts* (C) protruding from the *Wall Boards* (B). Use 3/8" *Flat Washers* (D), 3/8" *Lock Washers* (E) and 3/8" *Hex Nuts* (F). Tighten all hardware when *Extension Arm Assembly* (A) is level. See Figure 3.

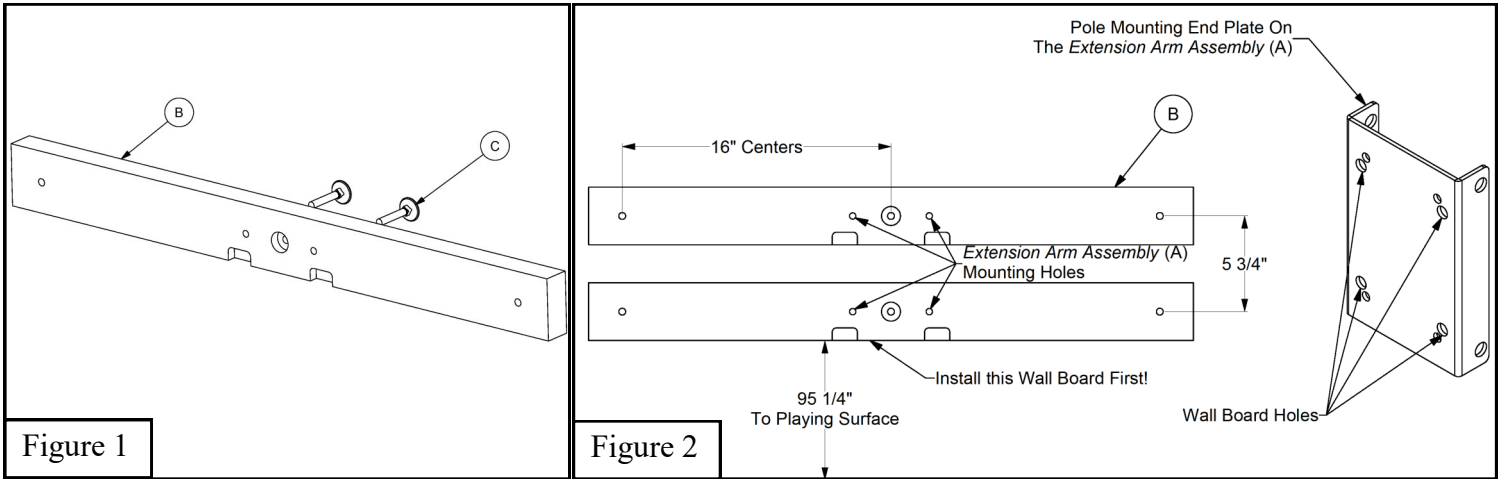


Figure 1

Figure 2

IF INSTALLING A PKG250 (5a - 8a)

- 5a. Mount the *Upper Backboard Supports (G)* to the holes on the side of the mounting plate on the *Extension Arm Assembly (A)* using *5/16" x 1" Hex Bolts (K)* and *5/16" Flange Nuts (L)*. Discard *Lower Backboard Supports (H)* for this system. See Figure 3.
- 6a. Loosely attach the *Backboard Mounting Angles (I)* to the end of the *Upper Backboard Supports (G)* using *5/16" x 1" Hex Bolts (K)* *5/16" Flange Nuts (L)*. Discard extra *Backboard Mounting Angles (I)* and *5/16"* hardware for this system. See Figure 3.
- 7a. Mount the *Backboard (M)* and rim backplate to the front of the *Extension Arm Assembly (A)* using the rim mounting hardware packaged with the *Rim (O)*. Bolts should pass through the *Rim (O)* backplate, then the *Backboard (M)* and then the front mounting plate on the *Extension Arm Assembly (A)*. Tighten all hardware when the *Backboard (M)* and *Rim (O)* backplate are level. See Figure 4.
- 8a. Attach the previously assembled *Backboard Mounting Angles (I)* to the two holes in the upper portion of the *Backboard (M)* using *5/16" x 1 1/2" Carriage Bolts (J)* and *5/16" Flange Nuts (L)*. Tighten all hardware when property positioned. See Figure 4.

IF INSTALLING A PKG275 (5b - 8b)

- 5b. Mount the *Upper Backboard Supports (G)* and the *Lower Backboard Supports (H)* to the holes on the sides of the mounting plate on the *Extension Arm Assembly (A)* using *5/16" x 1" Hex Bolts (K)* and *5/16" Flange Nuts (L)*. See Figure 3.
- 6b. Loosely attach the *Backboard Mounting Angles (I)* to the end of each of the *Upper and Lower Backboard Supports (G)* and *(H)* using *5/16" x 1" Hex Bolts (K)* and *5/16" Flange Nuts (L)*. See Figure 3.

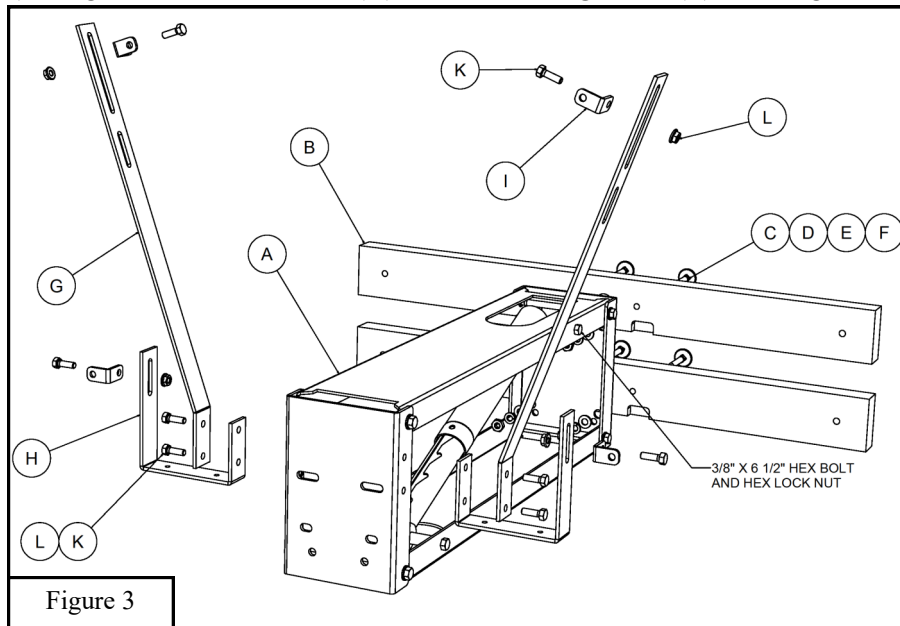


Figure 3

- 7b. Mount the *Backboard* (M) and rim backplate to the front of the *Extension Arm Assembly* (A) using the rim mounting hardware packaged with the *Rim* (O) backplate. Bolts should pass through the rim backplate, then the *Backboard* (M) and then the front mounting plate on the *Extension Arm Assembly* (A). Tighten when the rim backplate and the *Backboard* (M) are level. See Figure 5.
- 8b. Attach the previously assembled *Backboard Mounting Angles* (I) to the *Backboard* (M) with the *Acrylic Hardware* (N) provided with the *Backboard* (M). Insure that the hardware is properly installed to isolate all steel components from the acrylic with the vibration dampening bushings. Tighten when all components are level and flat. See Figure 5.
9. Finish assembling the *Rim* (O) using the instructions provided with the *Rim* (O).
10. Install *Net* (O).

TO RAISE GOAL: Place the end of a suitable lifting pole (I.E. broom handle) under the rim or backboard and push upward until desired height is reached. The mechanism will automatically lock in one of the fixed adjustment positions as unit is lowered slightly. See Figure 6.

TO LOWER GOAL: Place pole into the black release cup of the adjustment mechanism, push upward to release, then lower the goal to the lowest position. The mechanism will not lock at intermediate positions on the way down as long as the cup is depressed. QWIK-CHANGE is designed to adjust from 7 1/2' to 10' in 6" increments. See Figure 6.

11. If your QWIK-CHANGE mechanism becomes difficult to adjust, lubricate all pivot points and the area in and around the height adjustment mechanism release cup with a light machine oil (ie: sewing machine oil or WD-40).

