

— Instruction and Safe Use Manual —

PKG300

Zip Crank Adjustable Shooting Station



Customer Service
(800) 247-7668

PARTS LIST

Item	Qty	Description	Item	Qty	Description
A	3	Wall Board	P	2	1/2" x 5" Hex Bolt
B	1	Pole Plate	Q	2	1/2" Thin Lock Nut
C	2	Extension Channel	R	4	5/16" x 1" Truss Head Screw
D	1	Backboard "H" Frame	S	4	5/16" Flat Washer
E	2	Pole Plate Bracket	T	4	5/16" Lock Washer
F	2	Extension Channel Bracket	U	4	5/16" Hex Nut
G	8	Pivot Bushings	V	1	Backboard (packaged separately)
H	4	3/8" x 8" Hex Bolt	W	1	Rim and Net (packaged separately)
I	4	3/8" Thin Lock Nut	X	1	Height Gauge
J	8	3/8" x 1" Hex Bolt	Y	1	Pointer
K	14	3/8" Flat Washer	Z	3	1/4" Flange Nut
L	14	3/8" Lock Washer	AA	2	1/4" x 1" Hex Bolt
M	14	3/8" Hex Nut	BB	1	Crank Handle
N	6	3/8" x 2 1/2" Flange Elevator Bolt	CC	TBD	Wall Mounting Hardware (selected and provided by customer)
O	1	Crank			

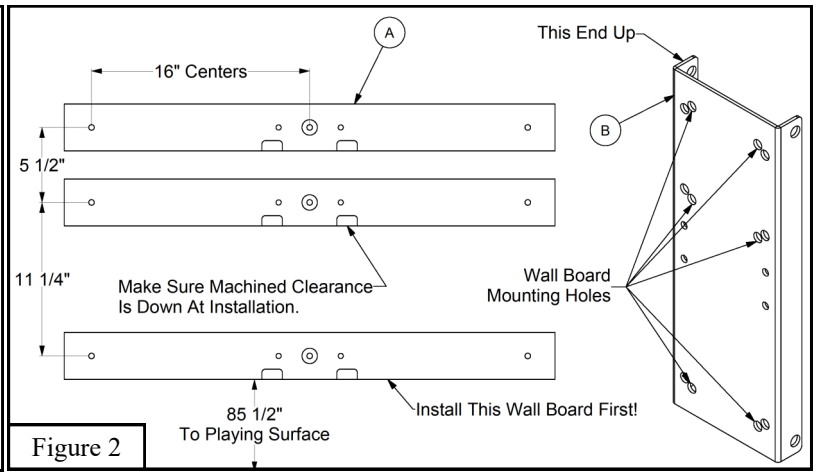
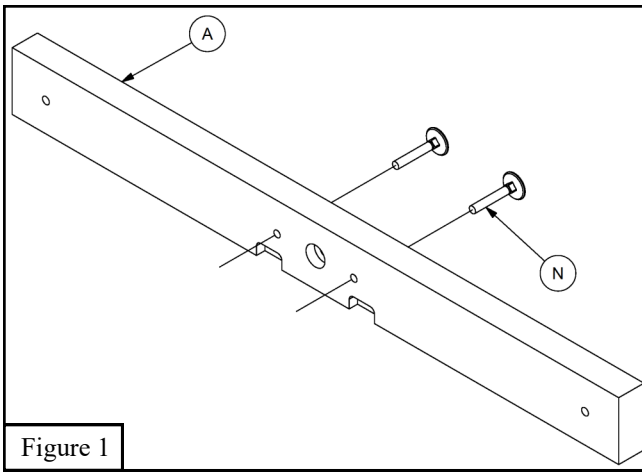
Warning!

Improper installation, maintenance or use may cause product failure and serious personal injury.

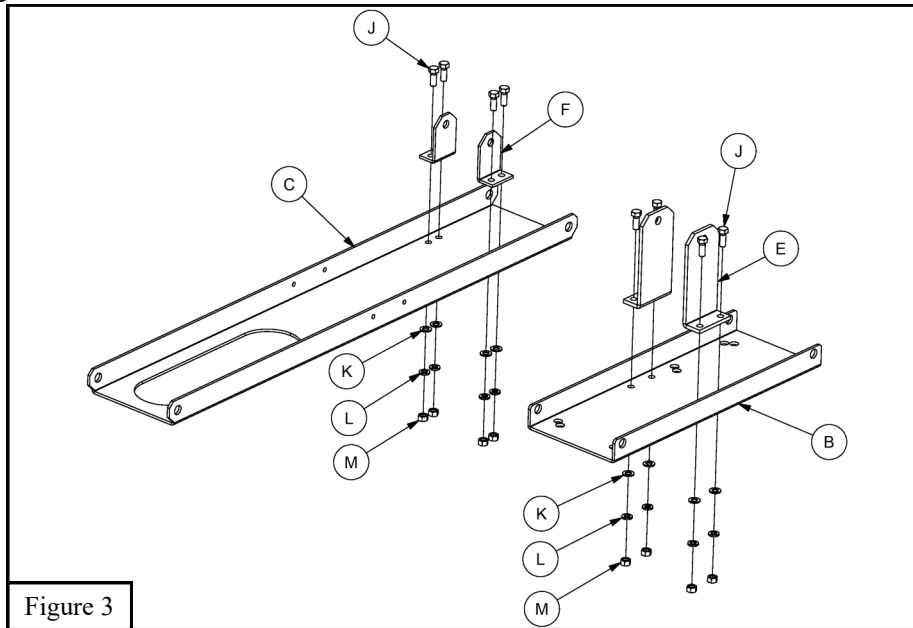
- ◆ Inspect all contents prior to installation. Report any missing parts to dealer immediately.
- ◆ Read all instructions before proceeding.
- ◆ Save this instruction in the event that the manufacturer must be contacted in the future.

CAUTION!

Wall mount systems require a minimum ceiling and wall height as well as an acceptable wall mounting surface. Brick, block or poured concrete walls are superior. It is inadvisable to mount systems to walls with wood or steel studs unless additional work approved by an engineer is done to provide additional support. Bison does not provide wall anchors with any wall mount structure or system. The purchaser assumes liability for the installation of any wall mounting structure. Consult a professional architect, engineer or contractor to determine safe methods of installation to your facility's wall construction.



1. Drive two $3/8'' \times 2 1/2''$ Flanged Elevator Bolts (N) into the back side of each Wall Board (A). See Figure 1.
2. Using the Wall Mounting Hardware (CC) that was selected by the installer and suitable for use on the type of wall construction being mounted to, mount the Wall Boards (A) to the wall at no less than 3 locations per Wall Board (A). If the predrilled wall mounting holes in the Wall Boards (A) interfere with joints or other wall obstructions, drill additional holes in the Wall Boards (A). See Figure 2.
3. Using $3/8'' \times 1''$ Hex Bolts (J), $3/8''$ Flat Washers (K), $3/8''$ Lock Washers (L) and $3/8''$ Hex Nuts (M) attach the two Pole Plate Brackets (E) to the Pole Plate (B) and the two Extension Channel Brackets (F), to one Extension Channel (C). Note the location of the cutout in the Extension Channel (C). See Figure 3. Do not tighten at this time.



4. Mount the pole plate assembly to the three Wall Boards (A) using $3/8''$ Flat Washers (K), $3/8''$ Lock Washers (L) and $3/8''$ Hex Nuts (M). Tighten hardware when Pole Plate (B) is level.
5. Using two Pivot Bushings (G), $3/8'' \times 8''$ Hex Bolt (H) and $3/8''$ Thin Lock Nut (I) attach the lower Extension Channel (C) without the Extension Channel Brackets (F) to the Pole Plate (B). Note the location of the cutout in the Extension Channel (C). Tighten the $3/8''$ Thin Lock Nut (I) and then reverse $1/2$ turn to insure the Extension Channel (C) can move freely. See Figure 4.

**Note the visual difference between the $3/8''$ Thin Lock Nuts (I) and the $3/8''$ Hex Nuts (M).
Using wrong $3/8''$ nuts could result in system failure and player injury.**

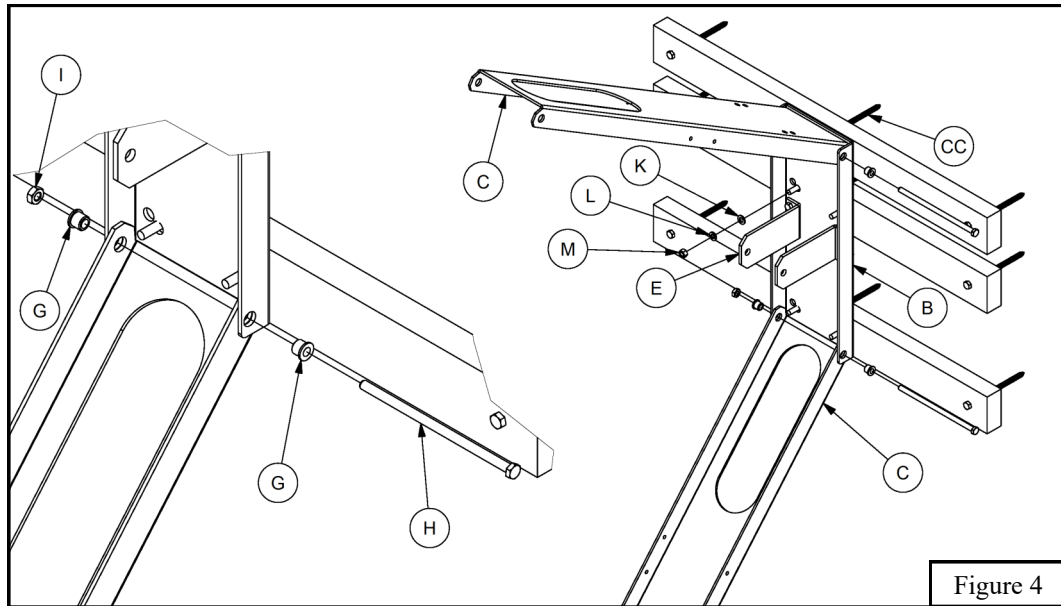


Figure 4

6. Repeat the process in #5 above installing the upper *Extension Channel* (C) with the previously attached *Extension Channel Bracket* (F) to the top of the *Pole Plate* (B). See Figure 4.
7. Install the *Crank* (O) to the *Pole Plate Brackets* (E) and the *Extension Channel Brackets* (F) previously installed in #3 above using $1/2" \times 5"$ *Hex Bolts* (P) and $1/2"$ *Thin Lock Nuts* (Q). Tighten the $3/8" \times 1"$ *Hex Bolts* (J) and $3/8"$ *Hex Nuts* (M) installed in #3 above. Tighten the $1/2" \times 5"$ *Hex Bolts* (P) and $1/2"$ *Thin Lock Nuts* (Q) then reverse $1/2$ turn to insure *Crank* (O) can move freely within the mounting brackets. See Figure 5.
8. Attach the *Backboard "H" Frame* (D) to the upper and lower *Extension Channels* (C) using *Pivot Bushings* (G), $3/8" \times 8"$ *Hex Bolts* (H) and $3/8"$ *Thin Lock Nuts* (I). Tighten the $3/8"$ *Thin Lock Nuts* (I) and then reverse $1/2$ turn to allow free movement. See Figure 6.
9. Using the *Crank Handle* (BB) attempt to raise and lower the *Backboard "H" Frame* (D) by placing the hook on the end of the *Crank Handle* (BB) in the eye on the *Crank* (O) and rotate. If the extension arm assembly doesn't move freely, loosen all pivot points.

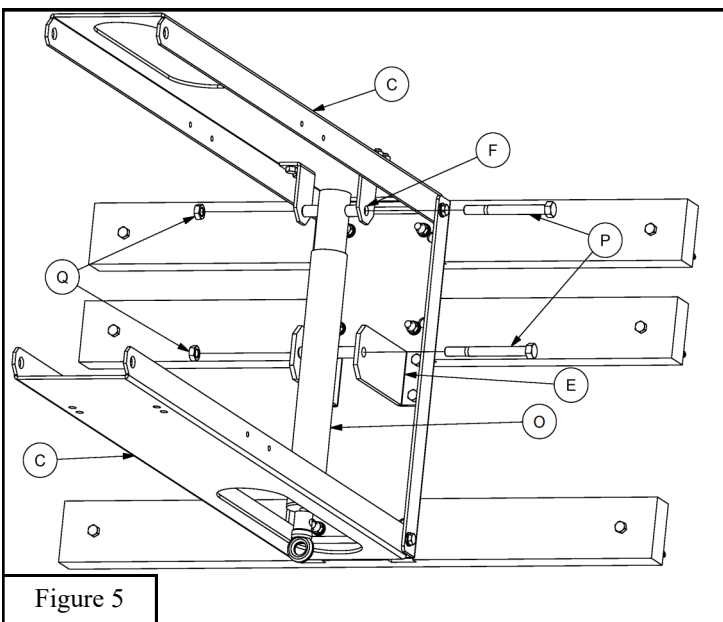


Figure 5

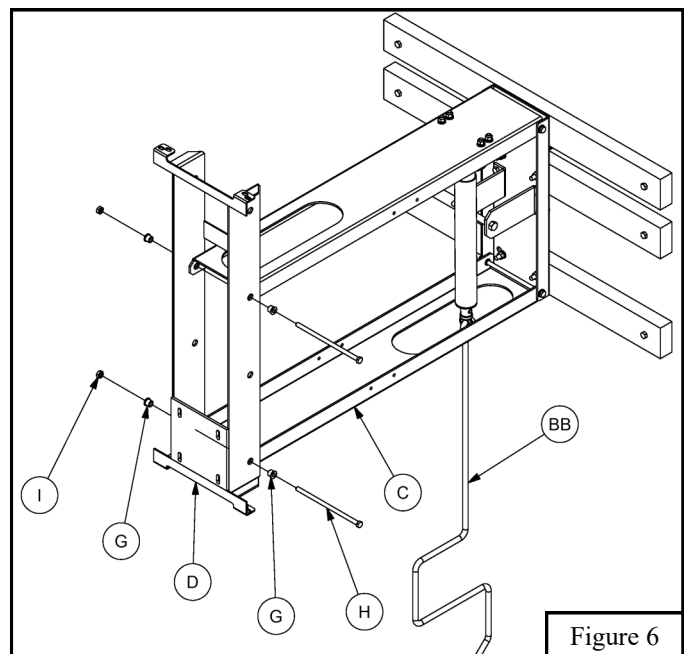


Figure 6

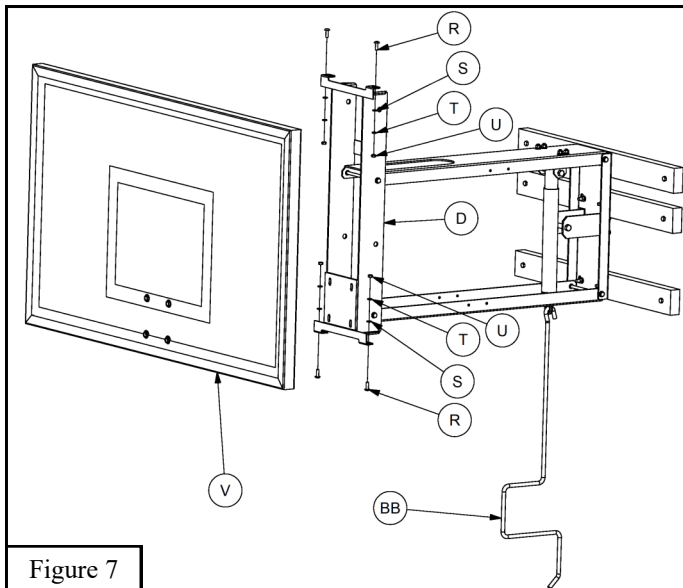


Figure 7

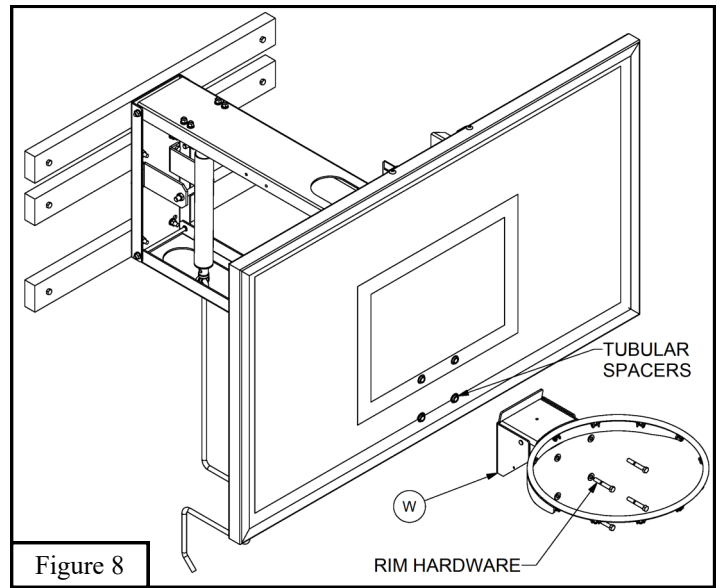


Figure 8

10. Using the *Crank Handle (BB)* lower the *Backboard "H" Frame (D)* to its lowest position. Carefully position the *Backboard (V)* resting on the front of the *Backboard "H" Frame (D)*. Attach the *Backboard (V)* to the *Backboard "H" Frame (D)* using four $5/16"$ x $1"$ *Truss Head Screws (R)*, $5/16"$ *Flat Washers (S)*, $5/16"$ *Lock Washers (T)* and $5/16"$ *Hex Nuts (U)*. Tighten all $5/16"$ fasteners. See Figure 7.
11. Install the *Rim (W)* with the hardware provided with the *Rim (W)*. Make sure that the tubular spacers are installed in the 4 holes in the glass to keep the rear of the *Rim (W)* from contacting the glass. Tighten all rim mounting bolts when the rim is level. See Figure 8.
12. Attach *Height Gauge (X)* to the top *Extension Channel (C)* with one $1/4"$ x $1"$ *Hex Bolt (AA)* and $1/4"$ *Flange Nut (Z)* in the back mounting hole. Slide the *Pointer (Y)* onto one $1/4"$ x $1"$ *Hex Bolt (AA)* then install one $1/4"$ *Flange Nut (Z)* against the *Pointer (Y)* with just enough slack to let the *Pointer (Y)* rotate freely on the $1/4"$ x $1"$ *Hex Bolt (AA)*. Pass this assembly through the mounting holes in the *Extension Channel (C)* and tighten with the remaining $1/4"$ *Flange Nut (Z)*. You must tighten the $1/4"$ *Flange Nuts (Z)* against each other to lock this assembly in place, if you tighten the $1/4"$ x $1"$ *Hex Bolt (AA)* you will also tighten the assembly against the *Pointer (Y)*. The *Pointer (Y)* must rotate freely on the $1/4"$ x $1"$ *Hex Bolt (AA)* once installed to accurately indicate your rim height. The *Height Gauge (X)* can be adjusted by loosening the $1/4"$ x $1"$ *Hex Bolts (AA)* to align the *Pointer (Y)* with the 10' mark when *Rim (W)* measures 10' from the playing surface. See Figure 9.
13. Install the *Net (W)*.
14. You are now ready for play.

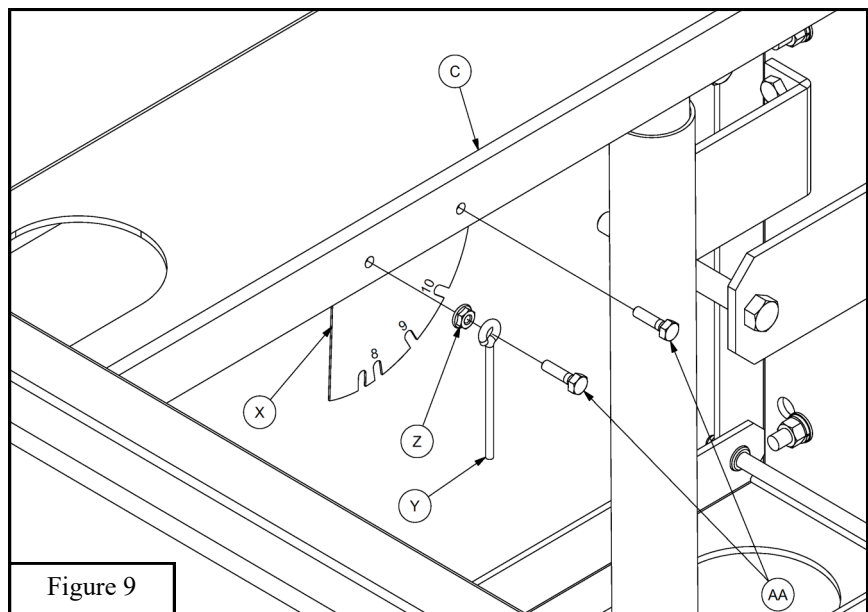


Figure 9