

# **Assembly and Safe Use Manual**

## **SC2480PA40EURO**

### **24' X 8' PORTABLE FUTBOL GOAL**

#### **WARNING!**

It is imperative that all **Portable Soccer Goals** be used only in accordance with safety guidelines contained in these instructions as well as those found on the safety warning labels attached to the goals. Failure to do so can cause serious injury or death.

#### **NOTICE:**

**THESE PORTABLE ALUMINUM SOCCER GOALS MEET ASTM F2950-14  
SAFETY AND PERFORMANCE STANDARD**

#### **IMPORTANT SAFETY INSTRUCTIONS!**

- 1. Check for structural integrity and proper connection hardware before every use. Replace damaged or missing parts or fasteners immediately.**
- 2. Ensure safety/warning labels are clearly visible.**
- 3. Securely anchor or counterweight movable soccer goals at ALL times following the instructions in this manual.**
- 4. Always instruct players, managers, coaches, trainers, teachers, maintenance and all other personnel who might come into contact with the goal on the safe handling of and potential dangers associated with movable soccer goals.**
- 5. Always exercise extreme caution when moving goals and allow adequate manpower to move goals of varied size and weights. Movable soccer goals should only be moved by authorized and trained personnel.**
- 6. NEVER allow anyone to climb on the net or goal framework.**
- 7. Movable soccer goals should only be used on LEVEL fields, NEVER on a slope or hill area.**
- 8. Remove nets when goals are not in use unless area is secure.**
- 9. Most of the tip over injuries occurred when goals were unattended. Anchor or chain one goal to another or to nearby fence posts, dugouts, or any other similar sturdy fixture when not in use. If this is not practical, store movable soccer goals in a place where children cannot have access to them.**
- 10. Fully disassemble goals for seasonal storage if practical.**

- ◆ Inspect all contents prior to installation. Report any missing parts to dealer immediately.
- ◆ Read all instructions before proceeding.

**PARTS LIST (FOR ONE PAIR OF GOALS—2 HARDWARE BOXES)**

Item	Qty	Description	Item	Qty	Description
A	8	Crossbar Section	K	4	European Backstay
B	4	39" Inner Connecting Tube	L	4	Backstay Mounting Brackets
C	4	Upright	M	8	5/16" X 2 3/4" Hex Bolt
D	4	Ground Extension	N	8	5/16" X 1" Carriage Bolt
E	4	Top Corner	O	8	5/16" Flat Washer
F	4	Bottom Corner	P	16	5/16" Nylon Lock Nut
G	4	Rear Corner	Q	100	Net Attachment Clip
H	24	Short Inner Connecting Tube	R	4	Auger Style Hold Down
I	28	Connecting Bar	S	2	Net
J	112	3/8" X 1" Hex Bolt			

Use Auger Goal Hold Downs (R) provided or optional SC50B Ballast Bags if on artificial surface.

1. Place two *Crossbar Sections* (A) end to end with the rear net attachment track facing upward. Insert the *39" Inner Connecting Tube* (B) approximately 19 1/2" into the end of one *Crossbar Section* (A) Use *Connecting Bar* (I) and *3/8" X 1" Hex Bolts* (J) to complete assembly of 2 piece crossbars as shown. See Figure 1.
2. Attach the four *Top Corners* (E) to the *Short Inner Connecting Tubes* (H) using the *Connecting Bars* (I) and the *3/8" X 1" Hex Bolts* (J). See figure 2.
3. With the rear net attachment track facing upward, attach the corner assemblies from instruction #2 above onto the ends of two of the crossbar assemblies from instruction #1 above using the *3/8" X 1" Hex Bolts* (J). See Figure 3.

**Assembly Tip:**  
Use one *3/8" X 1" Hex Bolt* (J) to hold *Connecting Bar* (I) in the *39" Inner Connecting Tube* (B) and *Short Inner Connecting Tube* (H) during the assembly process

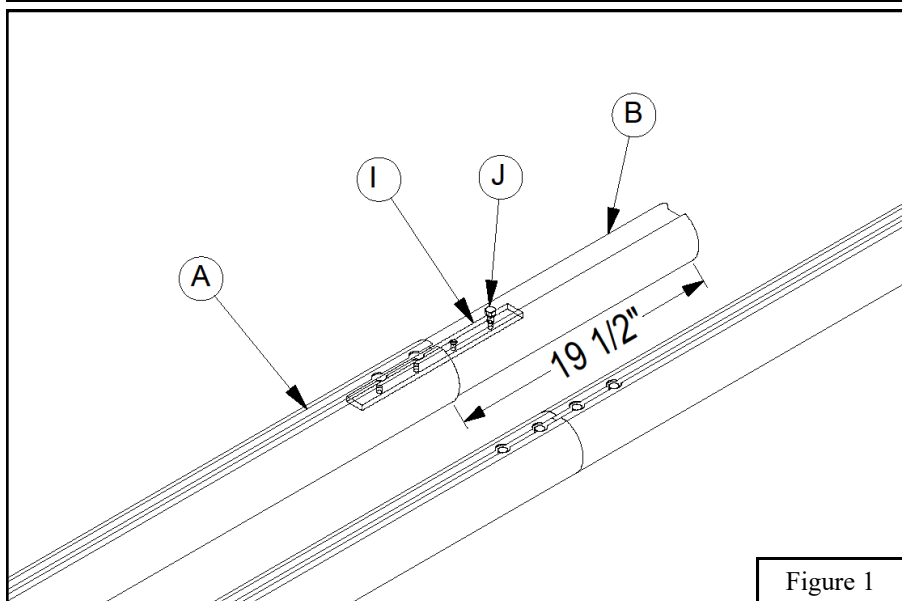


Figure 1

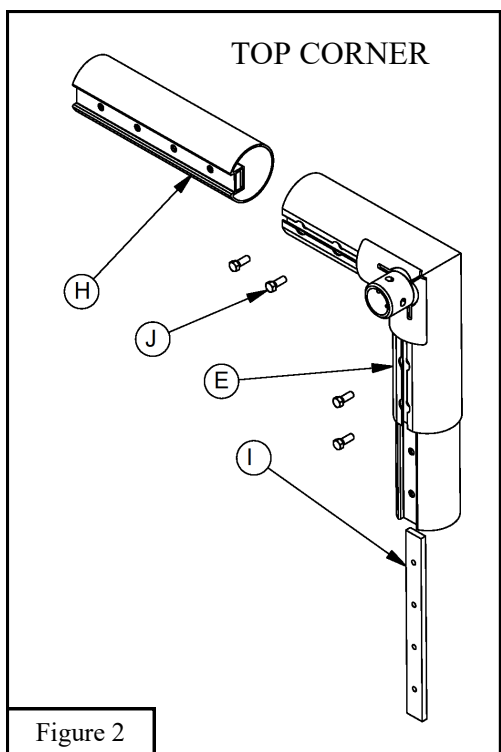


Figure 2

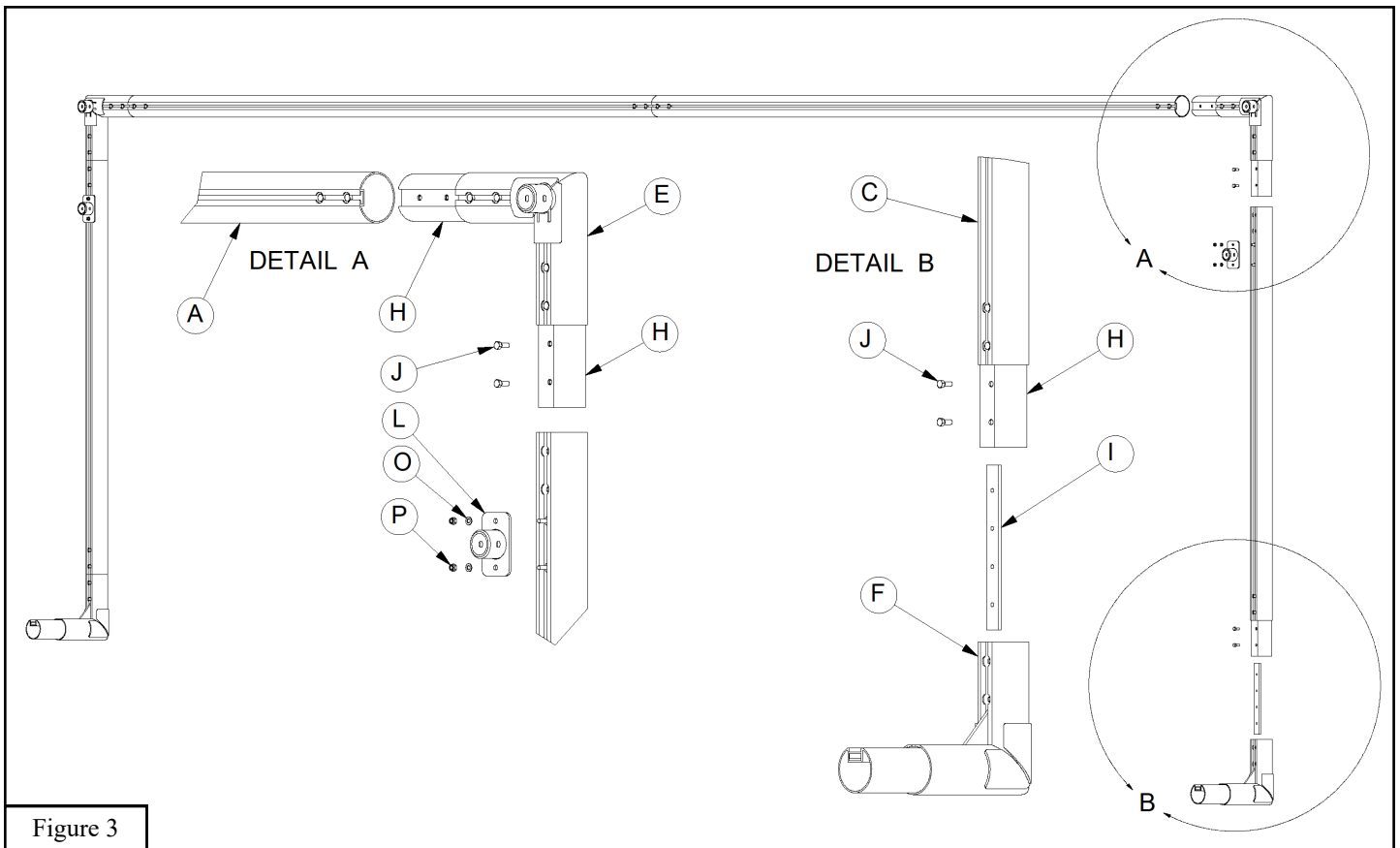


Figure 3

4. Attach the *Uprights* (C) to the crossbar and corner assemblies in instruction #3 above using the  $3/8'' \times 1''$  Hex Bolts (J) See Figure 3.
5. To install *European Backstays* (K), insert the head of the two  $5/16'' \times 1''$  Carriage Bolts (N) into the net attachment tracks at the bottom of each *Upright* (C) and slide upward to the approximate position. Loosely attach the *Backstay Mounting Brackets* (L) using  $5/16''$  Flat Washer (O) and  $5/16''$  Nylon Lock Nut (P). See Figure 3.
6. Insert each *European Backstay* (K) into the welded attachment tubes located on the Top Corners (E) and the *Backstay Mounting Brackets* (L). Install and tighten  $5/16'' \times 2 3/4''$  Hex Bolts (M) and  $5/16''$  Nylon Lock Nuts (P) at each connection point. Tighten all *Backstay Mounting Bracket* (L) hardware. See Figure 4.
7. Attach the *Bottom Corners* (F) to the *Uprights* (C) using the *Short Inner Connecting Tubes* (H),  $3/8'' \times 1''$  Hex Bolts (J) and *Connecting Bars* (I). See Figure 3.

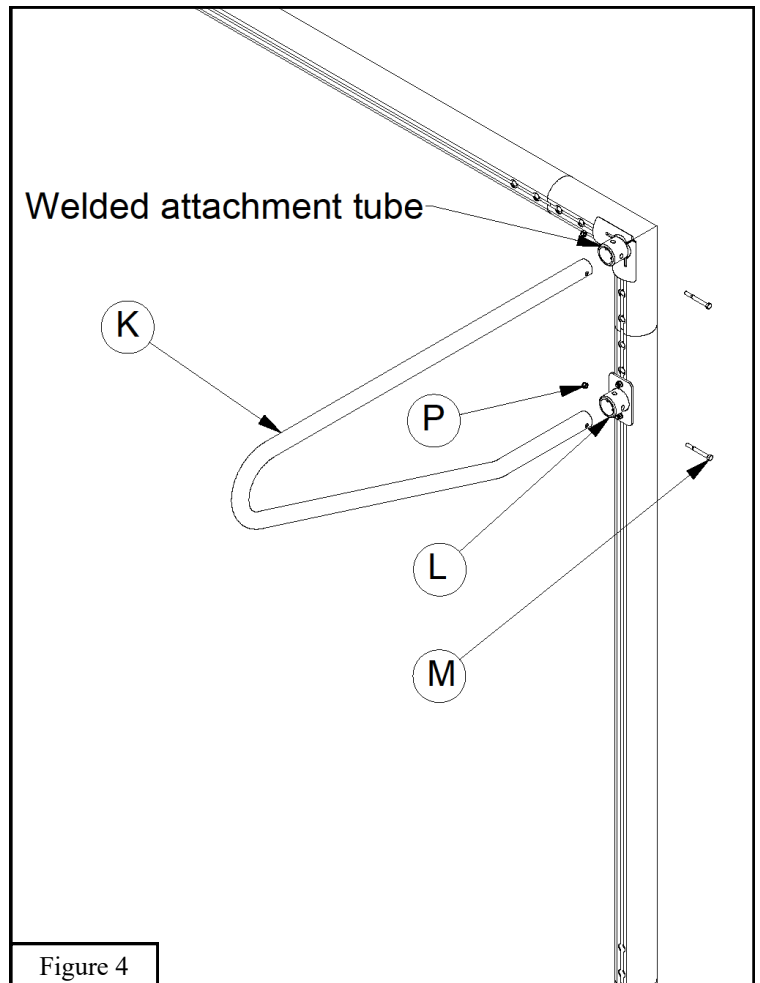


Figure 4

8. Attach the *Rear Corners* (G) to the two remaining *Crossbar* (A) assemblies from instruction #1 above, using the  $3/8'' \times 1''$  *Hex Bolts* (J) and *Connecting Bars* (I). See Figure 5.
9. Attach *Ground Extensions* (D) to the *Bottom Corners* (F) attached in instruction #5 above, using  $3/8'' \times 1''$  *Hex Bolts* (J) and *Connecting Bars* (I). See Figure 5.
10. Attach the assembled *Rear Corners* (G) and *Crossbar* (A) assemblies from instruction #6 above to the *Ground Extensions* (D). See Figure 5.

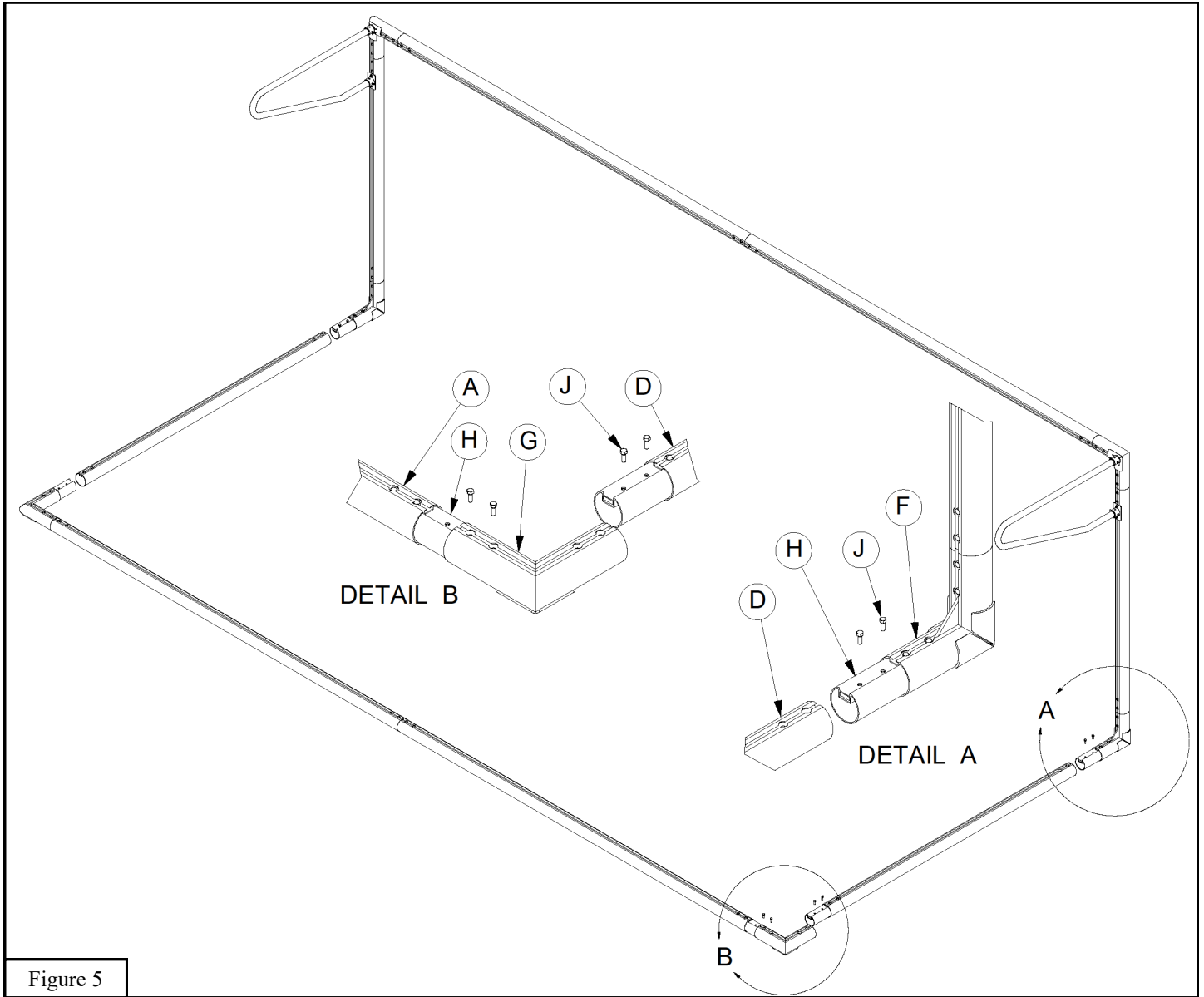


Figure 5

11. When all hardware is tight, tip the goal assemblies into the playing position.
12. Install *Net Attachment Clips* (Q) into the slots in each *Upright* (C), front and rear *Crossbar* (A) and *Ground Extension* (D). The *Net Attachment Clips* (Q) slip into the slot and twist  $90^\circ$  into position. You have been provided enough *Net Attachment Clips* (Q) to position one every 20"-24".
13. Drape the *Net* (S) over the top of the *European Backstays* (K) and attach to the *Net Attachment Clips* (Q) on the rear face of the goal. Position clips to suit. A rope is woven into the *Net* (S) behind the top front to attach to the left hand and right hand *European Backstays* (K) to help support the *Net* (S)

14. Prior to play, the rear of the goal must be secured to prevent accidental tip over. If the goal is being used on artificial turf and cannot use *Auger Style Hold Downs* (R), goals must be weighted with rear ballast bags or by other methods. Consult a Bison Product Specialist.
15. Position *Auger Style Hold Downs* (R) in the rear corners of the goals. Once the *Auger Style Hold Downs* (R) are fully rotated into the ground, clip the chain around the rear lower *Crossbars* (A). See Figure 6.
16. Use of optional soccer post padding is recommended to reduce the risk of player contact injury.

WARNING LABEL

⚠ **WARNING** ⚠

**ALL SOCCER GOALS**

- NEVER CLIMB OR HANG ON GOAL OR NET.
- CLIMBING, HANGING, OR OTHER NON-INTENDED USES OR FAILURE TO PROPERLY INSTALL GOALS CAN CAUSE SERIOUS INJURY OR DEATH.
- REGULARLY CHECK ALL FASTENERS PRIOR TO USE.
- CONSIDER PADDING GOAL UPRIGHTS.

**PORTABLE SOCCER GOALS**

GOALS MUST BE ANCHORED OR COUNTER-WEIGHTED AT ALL TIMES.


UNSECURED GOALS MAY FALL OVER CAUSING SERIOUS INJURY OR DEATH.

APPROVED OPTIONS:

- PURCHASE NO-TIP™ SOCCER GOAL AND FILL BALLAST DRUM COMPLETELY WITH SAND.
- SECURE WITH AUGER-STYLE GROUND ANCHORS (2 PER GOAL MINIMUM).
- COUNTERBALANCE WITH WEIGHTS ON REAR (125# MINIMUM).

THIS GOAL MEETS ALL SAFETY AND PERFORMANCE STANDARDS OF ASTM F2950-14.

FOR TECHNICAL INFORMATION  
CALL 800-247-7668



SCPA #3

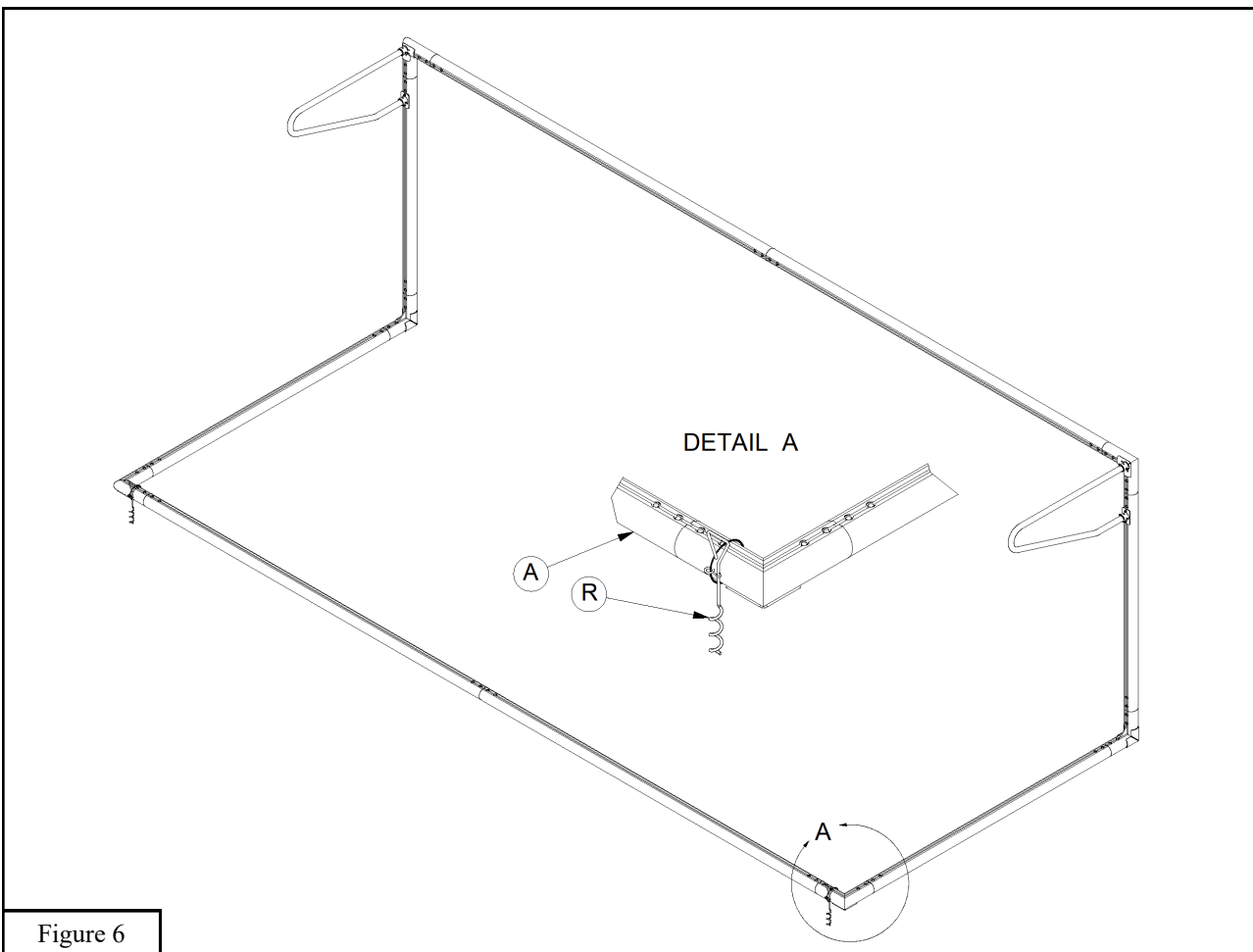


Figure 6