

— Instruction Manual —

SHOOTOUT COMBO ALUMINUM FOOTBALL SOCCER GOAL KIT

BISON MODEL: SC2480IGAFB, OR SC2480PA44FB



Customer Service
(800) 247-7668

PARTS LIST					
Item	Qty	Description	Item	Qty	Description
A	4	Crossbar	G	12	5/16" Flat Washer
B	2	Inner Tube	H	12	5/16" Nylon Lock Nut
C	2	Connecting Bar	I	64	3/8" x 1" Thread Cutting Hex Bolts
D	6	Football Crossbar Support Bracket	J	4	10' Upright
E	8	3/8" x 1" Hex Bolt	K	4	Upright Support
F	12	5/16" x 1" Carriage Bolt			

- ◆ Inspect all contents prior to installation. Report any missing parts to dealer immediately.
- ◆ Read all instructions before proceeding.

WARNING!

It is imperative that all **Combination Football/Soccer Goals** be used only in accordance with safety guidelines contained in these instructions as well as those found on the safety warning labels attached to the goals. Failure to do so can cause serious injury or death.

IMPORTANT SAFETY INSTRUCTIONS!

1. Check for structural integrity and loose hardware before every use. Replace damaged or missing parts or fasteners immediately.
2. Ensure all safety/warning labels are clearly visible.
3. Bison Combination Football/Soccer Goals with No-Tip feature properly installed require no additional loose ballasts or hold down anchors.
4. Always instruct players, managers, coaches, trainers, teachers, maintenance and all other personnel who might come into contact with the goal, on the safe handling of the potential dangers associated with movable goals.
5. Always exercise extreme caution when moving portable goals, and allow adequate manpower to move goals. Movable goals should be only moved by authorized and trained personnel.
6. **NEVER** allow anyone to climb on the net or goal framework.
7. Movable goals should only be used on LEVEL fields, NEVER on a slope or hill area.
8. Most of the tip over injuries occur when portable goals are unattended. Anchor or chain one goal to another or to nearby fenceposts, dugouts, or any other similar sturdy structure when not in use. If this is not practical, store movable soccer goals in a place where children cannot have access to them.

1. Assemble Soccer Goal per separate instructions provided.
2. Unpack and lay out two *Crossbars* (A), one *Inner Tube* (B), and one *Connecting Bar* (C) on a flat surface. Slide the *Connecting Bar* (C) into the *Inner Tube* (B) through the channel so that all the holes are lined up. Insert the *Inner Tube* (B) into one of the *Crossbars* (A) leaving half of the *Inner Tube* (B) exposed. Install two $3/8'' \times 1''$ *Hex Bolts* (E) loosely. Insert another *Crossbar* (A) onto the exposed half of the *Inner Tube* (B). In the farthest exposed hole loosely install one $3/8'' \times 1''$ *Hex Bolt* (E). See Figure 1.
3. Insert the head of a $5/16'' \times 1''$ *Carriage Bolt* (F) into the net attachment track and slide over the joint where the *Crossbars* (A) meet. Install the $3/8'' \times 1''$ *Hex Bolt* (E) and tighten all $3/8'' \times 1''$ *Hex Bolts* (E). See Figure 1.
4. From each end of the *Crossbar* (A) insert and slide the head of a $5/16'' \times 1''$ *Carriage Bolts* (F) approximately $17-5/16''$ from the end.
5. Lay the soccer goal assembly down in position directly below the *Crossbar* (A) with the net attachment track facing upward. On the soccer goal temporarily remove one of the $3/8'' \times 1''$ *Hex Bolts* (E). Insert the heads of three $5/16'' \times 1''$ *Carriage Bolts* (F). Slide the $5/16'' \times 1''$ *Carriage Bolts* (F) approximately $21-5/16''$ in measuring from the outside of the soccer goals upright. The middle one should be centered. Reinstall and tighten the $3/8'' \times 1''$ *Hex Bolt* (E) in the soccer goals crossbar. See Figure 2.
6. Place the *Football Crossbar Support Brackets* (D) over the $5/16'' \times 1''$ *Carriage Bolts* (F). Using the $5/16''$ *Flat Washer* (G), and $5/16''$ *Nylon Lock Nuts* (H) tighten the *Football Crossbar Support Brackets* (D) to the crossbars.
7. Using the pilot holes provided in the *Football Crossbar Support Brackets* (D) drill a $5/16''$ hole through the bottom of the *Football Crossbar Support Brackets* (D) and through one wall of the crossbars. Using the $3/8'' \times 1''$ *Thread Cutting Hex Bolts* (I) to fasten the *Football Crossbar Support Brackets* (D) to the upper and lower crossbars (48 places). **NOTICE!** Use care when tightening the $3/8'' \times 1''$ *Thread Cutting Hex Bolts* (I). **Do not over tighten!** See Figures 2 and 3.
8. Continue to follow soccer instructions. Once assembled and in the upright playing position, insert the $10'$ *Uprights* (J) into the outside holes of the *Crossbar* (A) for high school and use the inside holes for college or rugby, once through the *Crossbar* (A) insert the *Upright Support* (K) into the bottom of the *Uprights* (J). Making sure the *Uprights* (J) are square and plumb with rest of the goal, mark and drill, using the pilot holes provided on the *Upright Supports* (K), a $5/16''$ hole through the *Upright Support* (K) and through the top of the soccer crossbar. Using the $3/8'' \times 1''$ *Thread Cutting Hex Bolts* (I) to fasten the *Upright Supports* (K) to the top of the soccer crossbar. See Figures 2, 3, & 4.

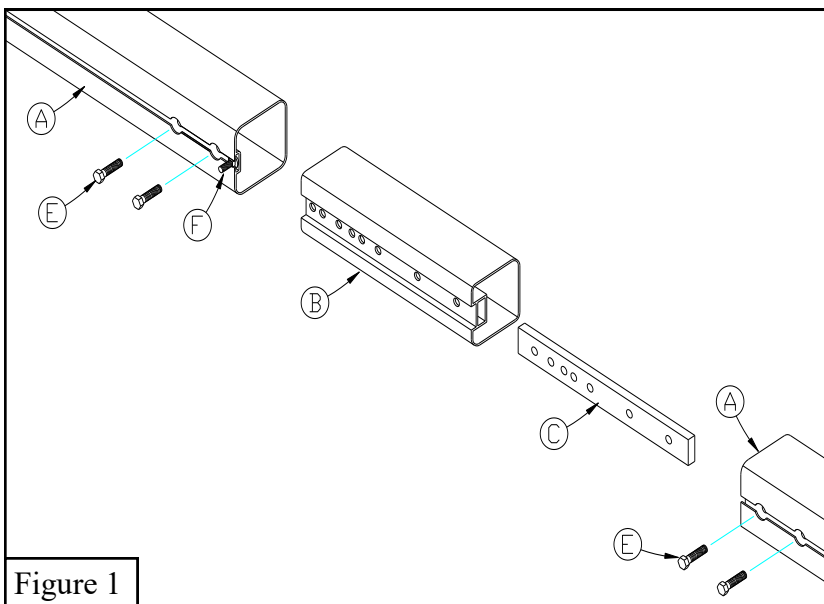


Figure 1

Figure 2

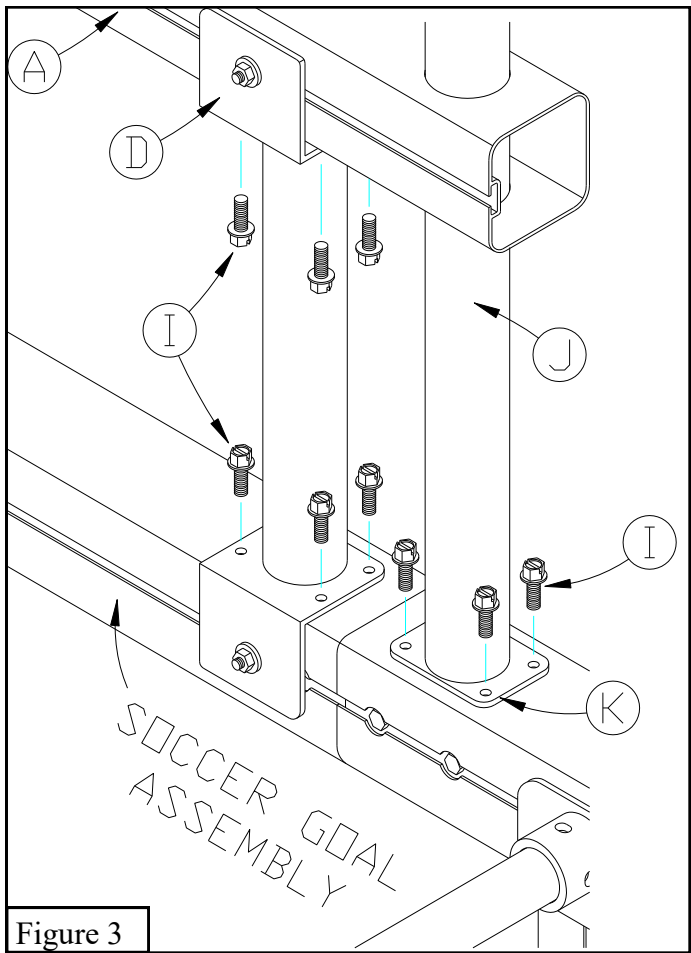
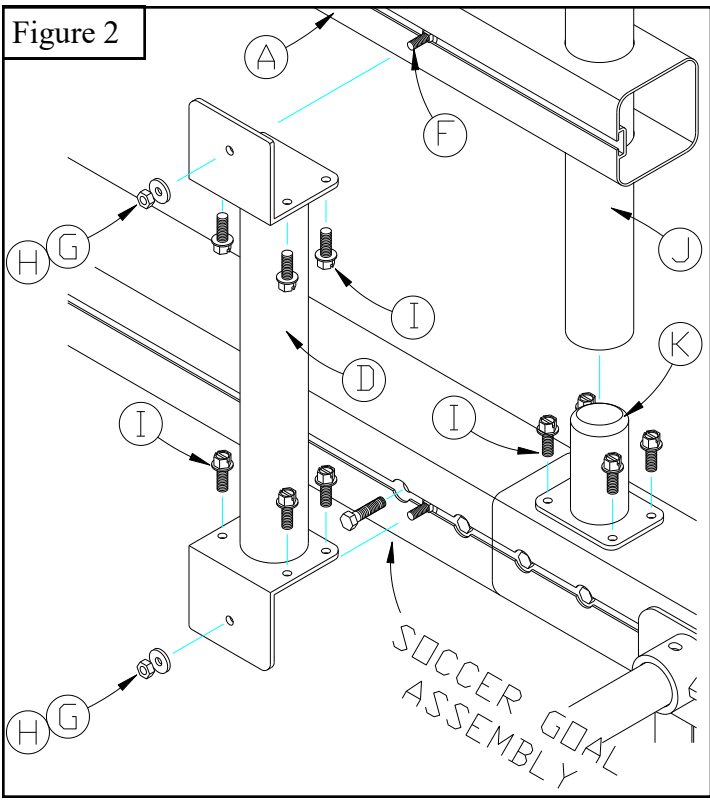


Figure 3

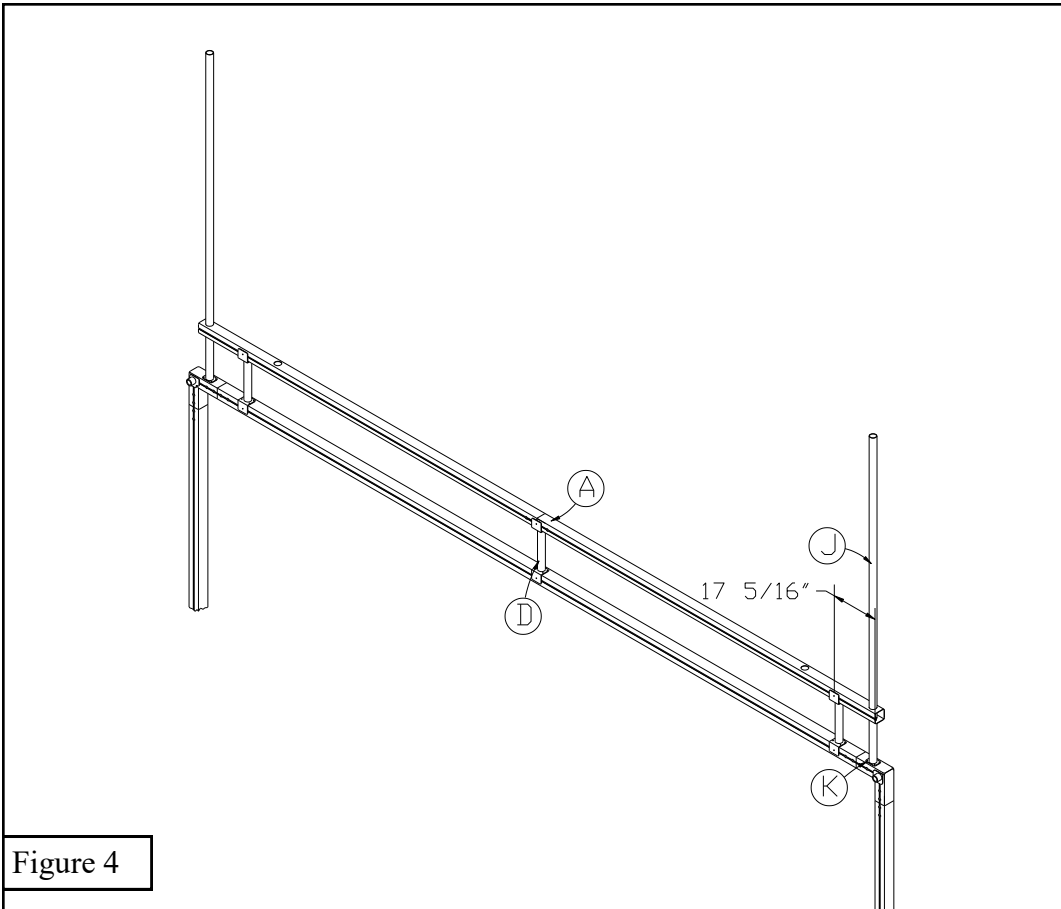


Figure 4