

Assembly Instruction and Safe Use Manual

4" ROUND OR 4" SQUARE PORTABLE ALUMINUM SOCCER GOALS

SC2480PA44NT, SC2480PA40NT, SC2480PA44E, SC2480PA40E,
SC2170PA44NT, SC2170PA40NT, SC2170PA44E, SC2170PA40E,
SC1865PA44NT, SC1865PA40NT, SC1865PA44E, SC1865PA40E,
SC1265PA44E and SC0945PA44E



Assembly Video

WARNING!

It is imperative that all **Portable Soccer Goals** be used only in accordance with safety guidelines contained in these instructions as well as those found on the safety warning labels attached to the goals. Failure to do so can cause serious injury or death.

NOTICE:

**THESE PORTABLE ALUMINUM SOCCER GOALS MEET ASTM F2950-14
SAFETY AND PERFORMANCE STANDARD**

IMPORTANT SAFETY INSTRUCTIONS!

1. Check for structural integrity and proper connection hardware before every use. Replace damaged or missing parts or fasteners immediately.
2. Ensure safety/warning labels are clearly visible.
3. Securely anchor or counterweight movable soccer goals at ALL times following the instructions in this manual. Bison Soccer Goals with No-Tip feature if properly installed require no additional loose ballasts or hold down anchors.
4. Always instruct players, managers, coaches, trainers, teachers, maintenance and all other personnel who might come into contact with the goal on the safe handling of and potential dangers associated with movable soccer goals.
5. Always exercise extreme caution when moving goals and allow adequate manpower to move goals of varied size and weights. Movable soccer goals should only be moved by authorized and trained personnel.
6. NEVER allow anyone to climb on the net or goal framework.
7. Movable soccer goals should only be used on LEVEL fields, NEVER on a slope or hill area.
8. Remove nets when goals are not in use unless area is secure.
9. Most of the tip over injuries occur when goals are unattended. Anchor or chain one goal to another or to nearby fence posts, dugouts, or any other similar sturdy fixture when not in use. If this is not practical, store movable soccer goals in a place where children cannot have access to them.
10. Fully disassemble goals for seasonal storage if practical.

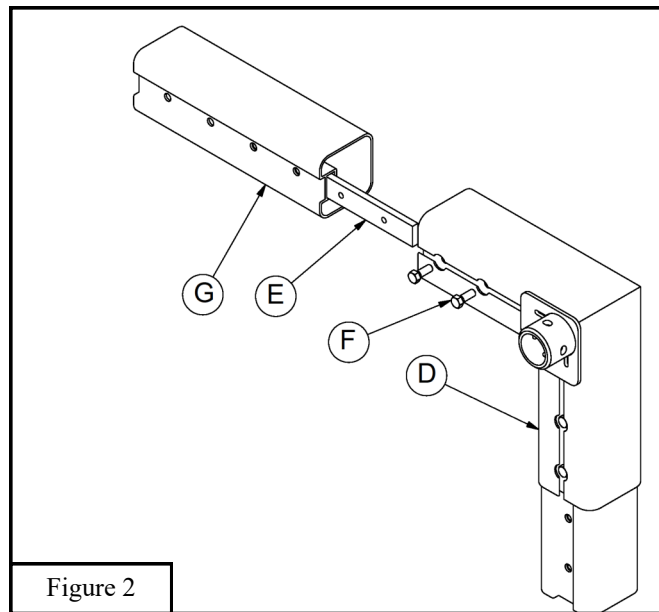
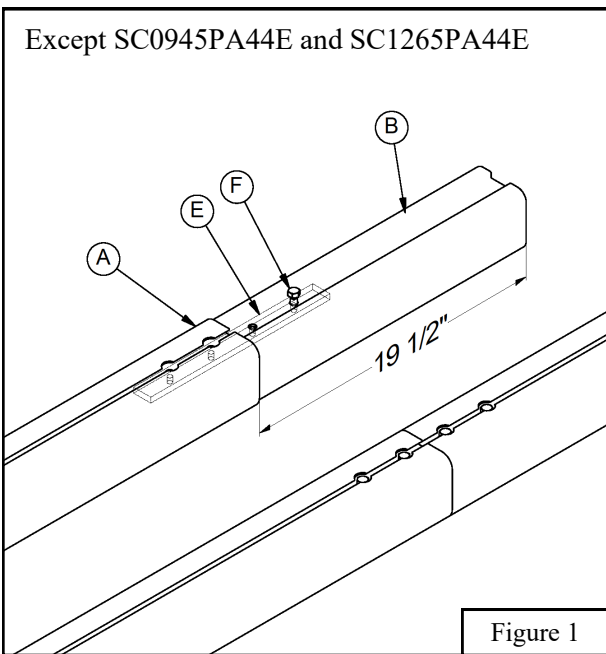
- ◆ Inspect all contents prior to installation. Report any missing parts to dealer immediately.
- ◆ Read all instructions before proceeding.

PARTS LIST (FOR ONE PAIR OF GOALS—2 HARDWARE BOXES)

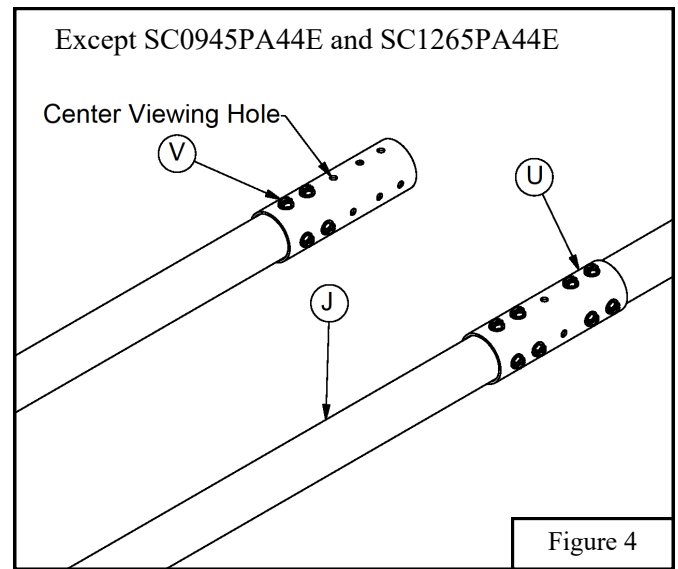
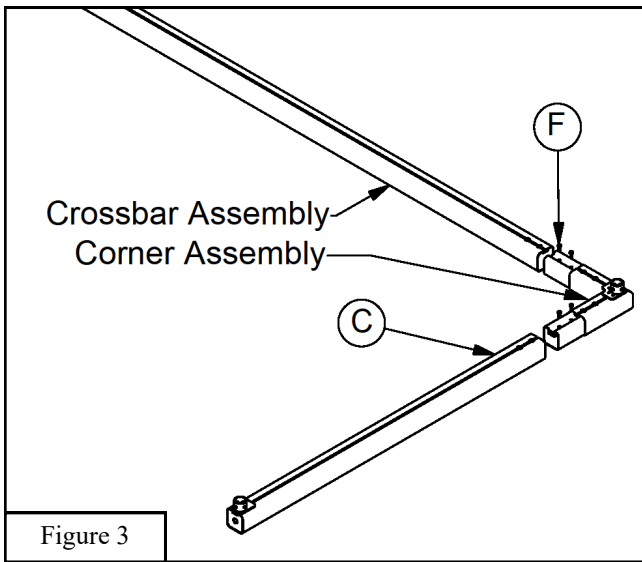
Item	Qty	Description	Item	Qty	Description
A	4	2 Piece Crossbar Section	N	8	5/16" U-Bolt
B	2	39" Inner Connecting Tube	O	25	8" Long White Cable Tie
C	4	Upright	P	50	Net Attachment Clip
D	4	Corner Section	Q	4	Ballast Drum (No-Tip Option Only)
E	10	Connecting Bar	R	8	3 3/4" Washer (No-Tip Option Only)
F	40	3/8" X 1" Hex Bolt	S	4	Net Retention Bar (No-Tip Option Only)
G	8	Short Inner Connecting Tube	T	4	Ballast Drum Plug (No-Tip Option Only, preinstalled)
H	4	Upper Backstay Section	U	6	6" Long Tubular Connector
I	4	Lower Backstay Section	V	90	#14 X 3/4" Self Drilling/Threading Hex Screw (use depends on goal size and No-Tip option)
J	4	2 Piece Rear Spreader Bar Section	W	1	3/8" Hex Magnetic Screw Drive Socket
K	4	T-Connector	X	4	Auger Goal Hold Down (not provided with No-Tip goals)
L	8	5/16" X 2 3/4" Hex Bolt	Y	2	Net
M	24	5/16" Nylon Lock Nut			

Items Q-T are applicable only on all goals with "No-Tip" feature. Use Auger Hold Downs (X) or optional SC50B Ballast Bags on other goals.

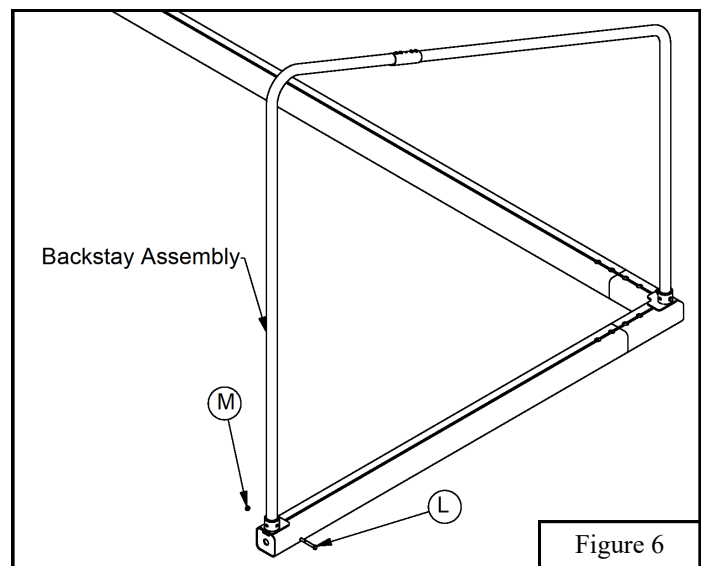
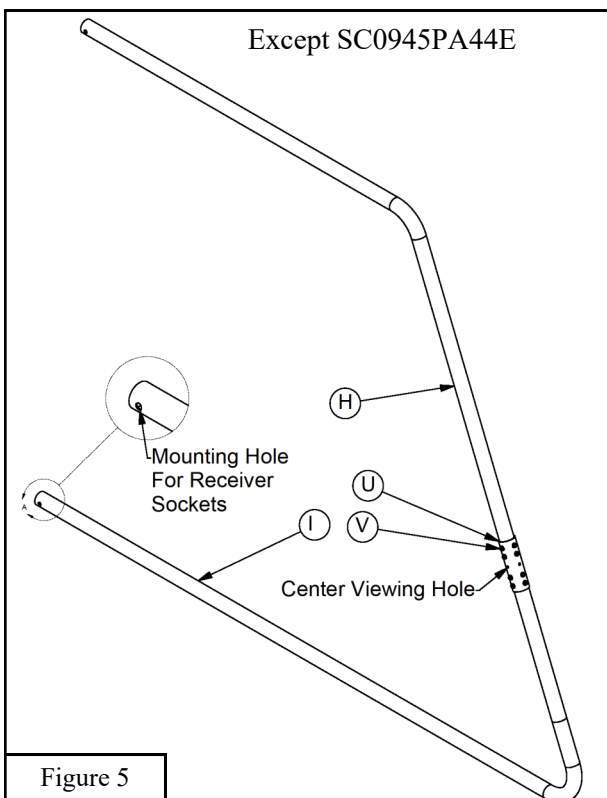
- Place two *2 Piece Crossbar Sections* (A) end to end with the rear net attachment track facing upward. Insert the *39" Inner Connecting Tube* (B) approximately 19 1/2" into the end of one *2 Piece Crossbar Section* (A). Using *Connecting Bar* (E) and *3/8" X 1" Hex Bolts* (F) complete assembly of 2 piece crossbars as shown. For ease of installation temporarily install one *3/8" X 1" Hex Bolt* (F) into *Connecting Bar* (E) inside of the *39" Connecting Tube* (B). See Figure 1. **Note:** SC0945PA44E and SC1265PA44E crossbars are one piece, so disregard this instruction.
- Assemble the *Corner Sections* (D) to the *Short Inner Connecting Tubes* (G) with *Connecting Bars* (E) using the *3/8" X 1" Hex Bolts* (F). See Figure 2.



- With the rear net attachment track facing upward, attach the corner assemblies from instruction #2 above onto the ends of each crossbar assembly from instruction #1 above using *3/8" X 1" Hex Bolts* (F). See Figure 3.
- Attach the *Uprights* (C) to the crossbar and corner assemblies in instruction #3 above using the *3/8" X 1" Hex Bolts* (F). See Figure 3.



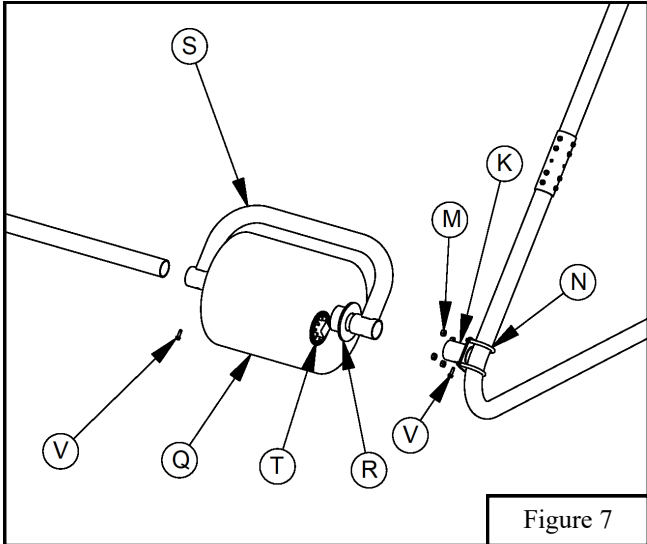
- Connect two pairs of *Rear Spreader Bar Sections (J)* using *6" Long Tubular Connectors (U)* and eight each *#14 X 3/4" Self Drilling/Threading Hex Screws (V)*. *Rear Spreader Bar Sections (J)* should be inserted 3" into *6" Long Tubular Connectors (U)* until visible in the center viewing hole. Install *#14 X 3/4" Self Drilling/Threading Hex Screws (V)* using the *3/8" Hex Magnetic Screw Drive Socket (W)* provided. Pilot holes are provided in the *6" Long Tubular Connectors (U)* for easy installation with an electric or cordless drill. See Figure 4. **Note:** SC0945PA44E and SC1265PA44E spreader bars are one piece so disregard this instruction.
- Connect *Upper Backstay Sections (H)* to *Lower Backstay Sections (I)* using *6" Long Tubular Connectors (U)* and eight each *#14 X 3/4" Self Drilling/Threading Hex Screws (V)*. Make sure mounting hole for receiver socket is positioned as shown. Lower and upper backstay sections should each be inserted 3" into *6" Long Tubular Connectors (U)* until visible in the center viewing hole. Install *#14 X 3/4" Self Drilling/Threading Hex Screws (V)* using the *3/8" Hex magnetic Screw Drive Socket (W)* provided. **Note: Make sure the lower and upper backstay sections are laying flat and are connected in the same plane.** See Figure 5. **Note:** SC0945PA44E backstays are one piece so disregard this instruction.

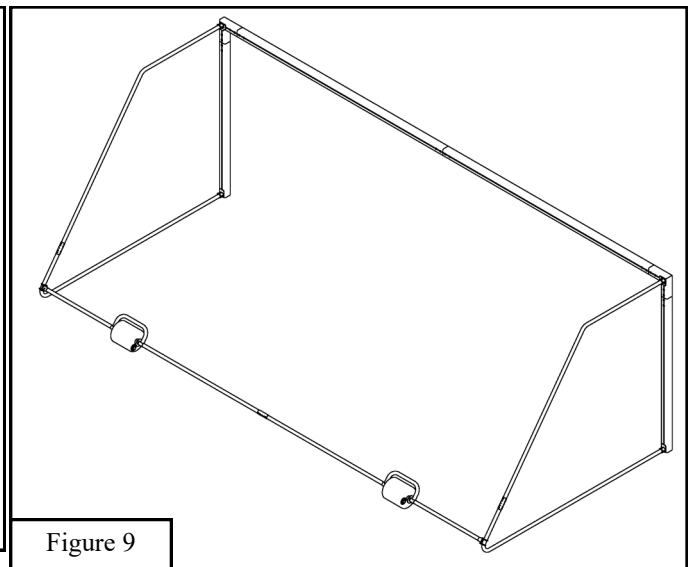
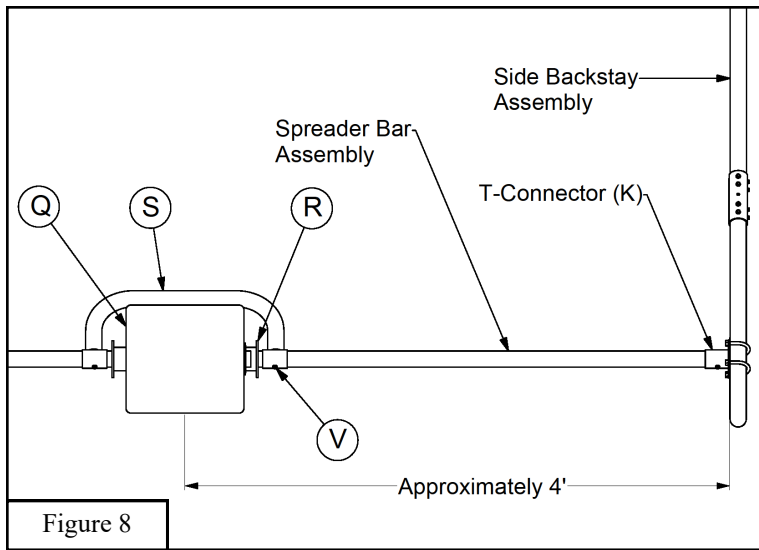


7. With the crossbar, corner and upright assembly from #1- #4 above laying flat on the ground with the soccer net attachment track facing upward, insert each end of the backstay assemblies from #6 above into the receiver sockets welded to the *Uprights* (C). Use $5/16''$ X $3''$ *Hex Bolts* (L) and $5/16''$ *Nylon Lock Nuts* (M) to secure each end of the backstay assemblies to the crossbar/upright assemblies. See Figure 6.
8. With all hardware tightened, tip the soccer goal into the upright playing position before proceeding with assembly.

Note:
If you purchased goals with Bison No-Tip ballast feature, Proceed to Instruction #9. If not skip to instruction #17

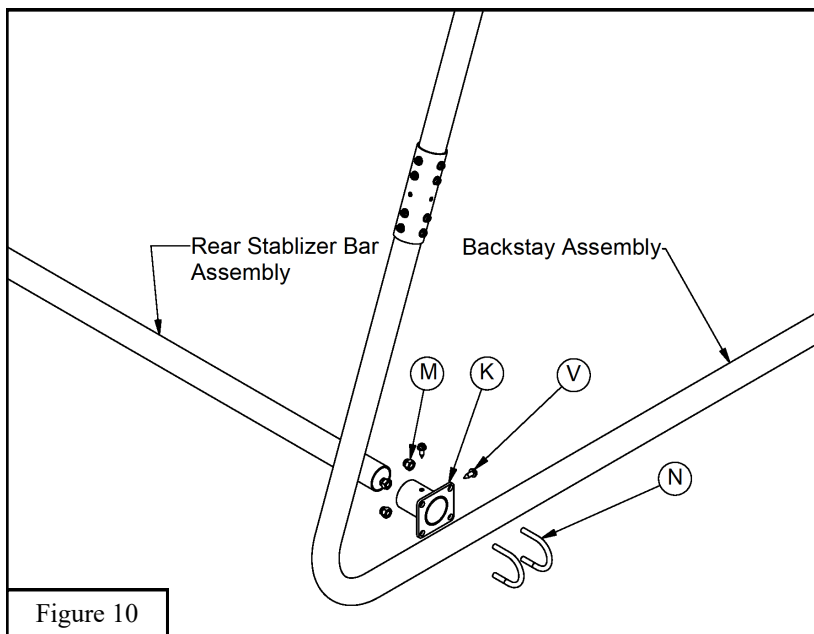
9. Fill each *Ballast Drum* (Q) completely with sand, making sure that the sand is compacted. Each *Ballast Drum* (Q) should hold approximately 60-75 pounds of sand. Adding a small amount of water will help compact the sand. Once filled, install the *Ballast Drum Plug* (T) and tighten securely to ensure no sand can escape. See Figure 7.
10. Loosely attach one *T-Connector* (K) to each backstay assembly using $5/16''$ *U-Bolts* (N) and $5/16''$ *Nylon Lock Nuts* (M). See Figure 7.
11. Slide the *Ballast Drums* (Q), *Net Retention Bars* (S) and $3\ 3/4''$ *Washers* (R) on the 1.66'' diameter rear spreader bar assembly. See Figure 7.
12. Insert each end of the spreader bar assemblies into the receiver tubes on the *T-Connectors* (K) previously attached in instruction #11. Using two $\#14$ X $3/4''$ *Self Drilling/Threading Hex Screws* (V), attach each end of the spreader bar assemblies to the *T-Connector* (K). See Figures 7 and 8.
13. Position the *Ballast Drums* (Q) approximately 4 feet from the backstays and attach the *Net Retention Bars* (S) using two $\#14$ X $3/4''$ *Self Drilling/Threading Hex Screws* (V) per end. Note that the *Net Retention Bar* (S) is set at an angle equal to the angle of the backstays. See Figures 7 and 8.
14. Slide *T-Connector* (K) up or down the angle of the backstay assemblies until the bottom of the *Ballast Drums* (Q) are on the ground with the soccer goal upright and in the playing position. Tighten the $5/16''$ *Nylon Lock Nuts* (M) on the $5/16''$ *U-Bolts* (N) to secure the *T-Connectors* (K) in place. See Figure 9.
15. Rear portion of the *Net* (Y) close to the *Ballast Drums* (Q) can be attached to the *Net Retention Bar* (S) with $8''$ *Long White Cable Ties* (O) to avoid *Net* (Y) entanglement when moving the goals.
16. Proceed to Instruction #20 below.





Note:
If you purchased goals without the No-Tip ballast feature:

17. Loosely connect the *T-Connectors (K)* to the backstay assemblies using the *5/16" U-Bolts (N)* and *5/16" Nylon Lock Nuts (M)*. See Figure 10.
18. Insert the ends of the rear stabilizer bar assemblies into the receiver tubes on the *T-Connectors (K)* and attach using *#14 X 3/4" Self Drilling/Threading Hex Screws (V)*. See Figure 10.
19. Reposition the *T-Connectors (K)* so that the rear stabilizer bar assembly is positioned on the playing surface. Tighten the *5/16" U-Bolts (N)* and *5/16" Nylon Lock Nuts (M)*.



20. Install *Net Attachment Clips (P)* into the slots in each *Upright (C)* and each *Crossbar (A)*. The *Net Attachment Clips (P)* slip into the slot and twist 90° into position. You have been provided enough *Net Attachment Clips (P)* to position one every 12"- 14" and still have extras depending on the size of your goal.
21. Drape the Net (Y) over the top of the backstay assemblies and attach to the *Net Attachment Clips (P)* on the rear face of the goal. Position *Net Attachment Clips (P)* to suit. A rope is woven into the net behind the top front to attach to the left hand and right hand backstays to help support the Net (Y). Use *8" Long White Cable Ties (O)* to attach the bottom of the net to the lower backstay tubes.

WARNING

ALL SOCCER GOALS

- NEVER CLIMB OR HANG ON GOAL OR NET.
- CLIMBING, HANGING, OR OTHER NON-INTENDED USES OR FAILURE TO PROPERLY INSTALL GOALS CAN CAUSE SERIOUS INJURY OR DEATH.
- REGULARLY CHECK ALL FASTENERS PRIOR TO USE.
- CONSIDER PADDING GOAL UPRIGHTS.

PORTABLE SOCCER GOALS

GOALS MUST BE ANCHORED OR COUNTER-WEIGHTED AT ALL TIMES.

UNSECURED GOALS MAY FALL OVER CAUSING SERIOUS INJURY OR DEATH.

APPROVED OPTIONS:

- PURCHASE NO-TIP™ SOCCER GOAL AND FILL BALLAST DRUM COMPLETELY WITH SAND.
- SECURE WITH AUGER-STYLE GROUND ANCHORS (2 PER GOAL MINIMUM).
- COUNTERBALANCE WITH WEIGHTS ON REAR (125# MINIMUM).

THIS GOAL MEETS ALL SAFETY AND PERFORMANCE STANDARDS OF ASTM F2950-14.

FOR TECHNICAL INFORMATION
CALL 800-247-7668

SCPA #3

WARNING!
GOAL TIP OVER CAN CAUSE SERIOUS INJURY OR DEATH, PLEASE CAREFULLY READ AND UNDERSTAND INSTRUCTIONS 22 AND 23.

22. Prior to play, the rear of the goal must be secured to prevent accidental tip over. Bison No-Tip Goals, when sand is properly installed, satisfies ASTM F2950-14 Safety Standards. If your goal does not include the No-Tip rear ballast feature and is being used on natural turf, proceed to instruction #23 below. If the goal does not include the No-Tip feature and is being used on an artificial turf that is not compatible with the *Auger Style Hold Downs (X)*, goals must be weighted with rear ballast bags or by other methods. Consult a Bison Product Specialist for options.
23. Position *Auger Style Hold Downs (X)* near the rear radius of the left hand and right hand backstays. Once the *Auger Style Hold Downs (X)* are fully rotated into the ground, clip the chain around the side of the backstays. See Figure 11.
24. Use of optional soccer post padding is recommended to reduce the risk of player contact injury.

CAUTION!
DO NOT LEAVE AUGER HOLD DOWNS IN THE GROUND WHEN THE GOAL IS MOVED AS PROTRUDING OBJECTS CAN CAUSE INJURY TO PEOPLE AND DAMAGE TO MOWING EQUIPMENT

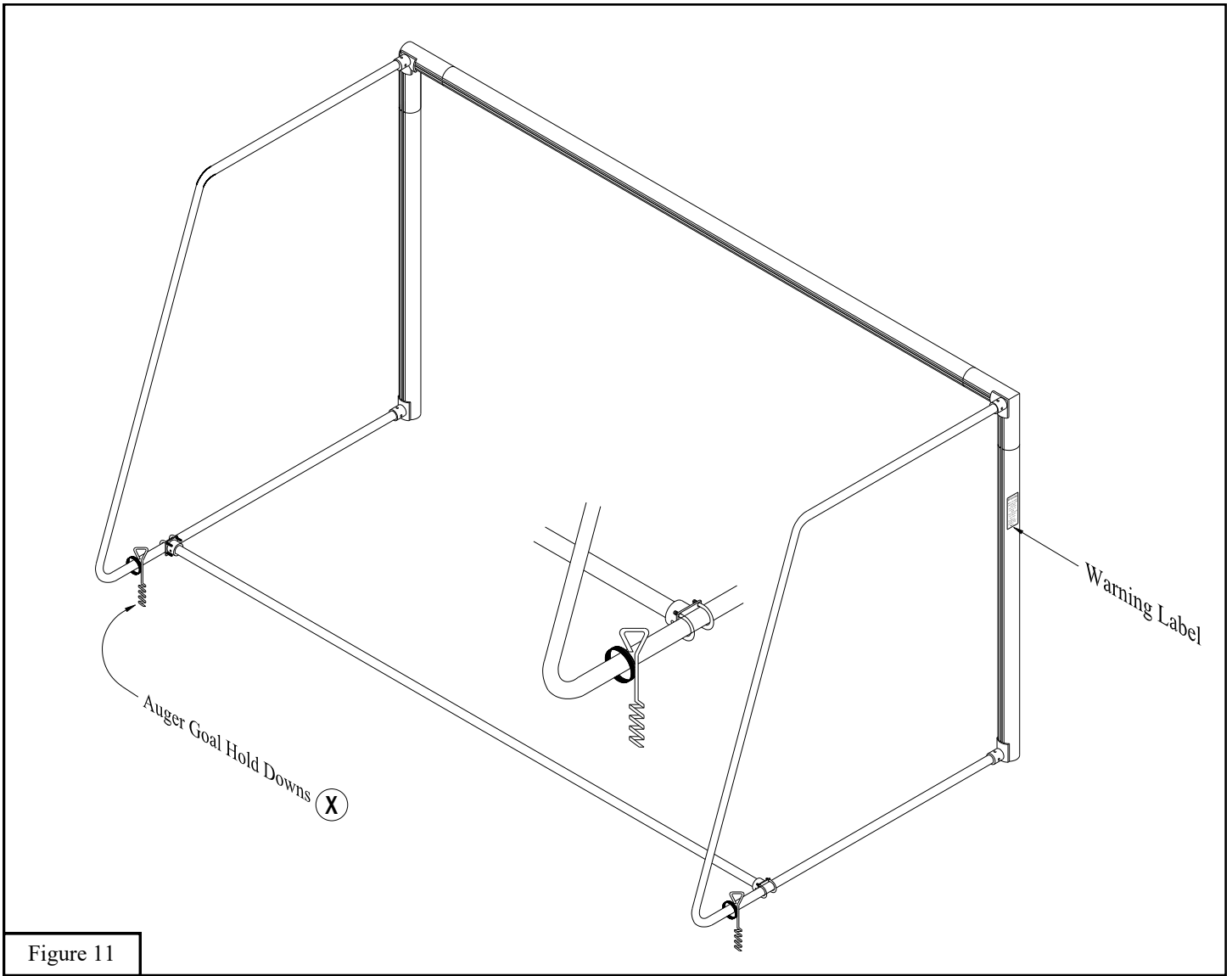


Figure 11