

Assembly and Safe Use Manual

4" SQUARE IN GROUND ALUMINUM SOCCER GOALS

SC2480IGA, SC2170IGA, SC1865IGA, SC1265IGA, AND SC0945IGA



Customer Service
(800) 247-7668

PARTS LIST FOR ONE PAIR OF GOALS					
Item	Qty	Description	Item	Qty	Description
A	4	Crossbar Section (2 on 12' and 9' wide goals)	K	8	5/16" X 1" Carriage Bolt
B	2	39" Inner Connecting Tubes (24', 21' & 18 1/2' wide goals only)	L	8	5/16" Flat Washer
C	4	Upright	M	8	5/16" X 2 3/4" Hex Bolt
D	4	Corner Section	N	50	Net Attachment Clip
E	14	Connecting Bar (only 12 used on 12' and 9' wide goals)	O	16	5/16" Lock Nut
F	48	3/8" X 1" Hex Bolt (Only 40 used on 12' and 9' wide goals)	P	16	Net Ground Stake
G	8	Short Inner Connecting Tube	Q	2	Net
H	4	Long Inner Tube	R	4	Optional SC44S Ground Sleeve
I	4	European Backstay (Not included on SC0945IGA)	S	TBD	Quick Dry Cement (Provided by customer)
J	4	Backstay Mounting Bracket	T	4	Pole Installation Aid Kit

- ◆ Inspect all contents prior to installation. Report any missing parts to dealer immediately.
- ◆ Read all instructions before proceeding.

1. Place two *Crossbar Sections* (A) end to end with the rear net attachment track facing upward. Insert the *39" Inner Connecting Tube* (B) approximately 19 1/2" into the end of one *Crossbar Section* (A). Using *Connecting Bar* (E) and *3/8" X 1" Hex Bolts* (F) complete assembly of crossbars as shown. For ease of installation temporarily install one *3/8" X 1" Hex Bolt* (F) into *Connecting Bar* (E) inside of the *39" Connecting Tube* (B). **Note:** Not required on 12' or 9' wide goals. See Figure 1.
2. Assemble the *Corner Sections* (D) to the *Short Inner Connecting Tubes* (G) with *Connecting Bars* (E) using the *3/8" X 1" Hex Bolts* (F). See Figure 2.

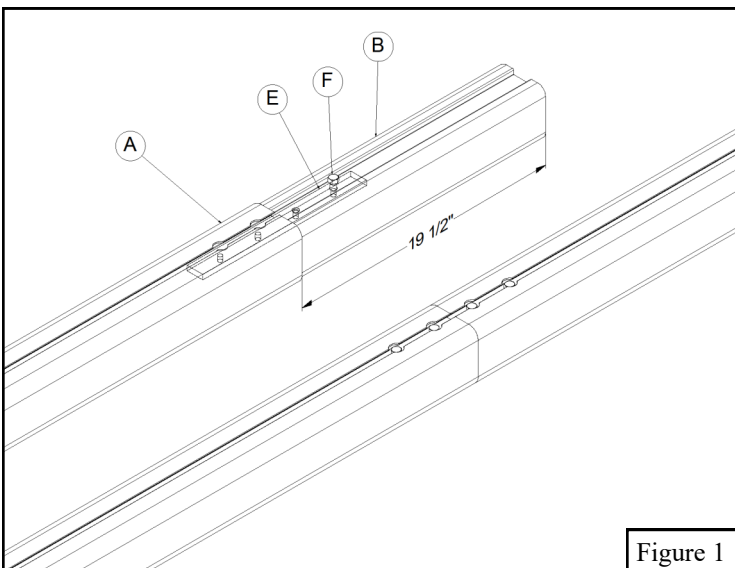


Figure 1

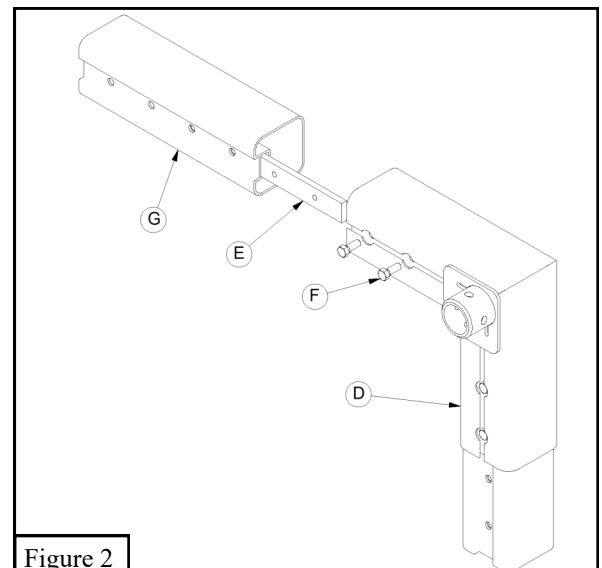
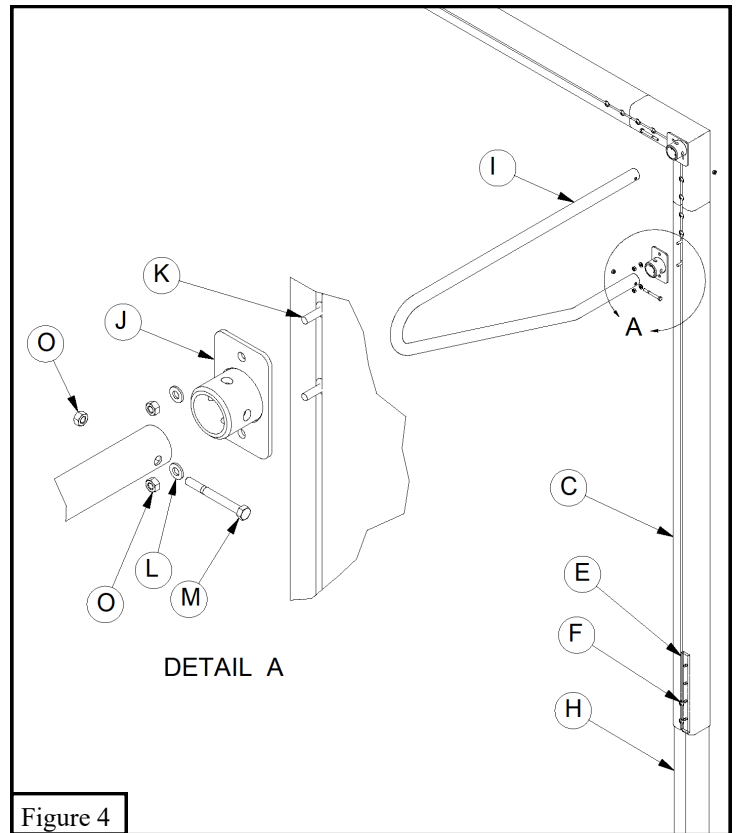
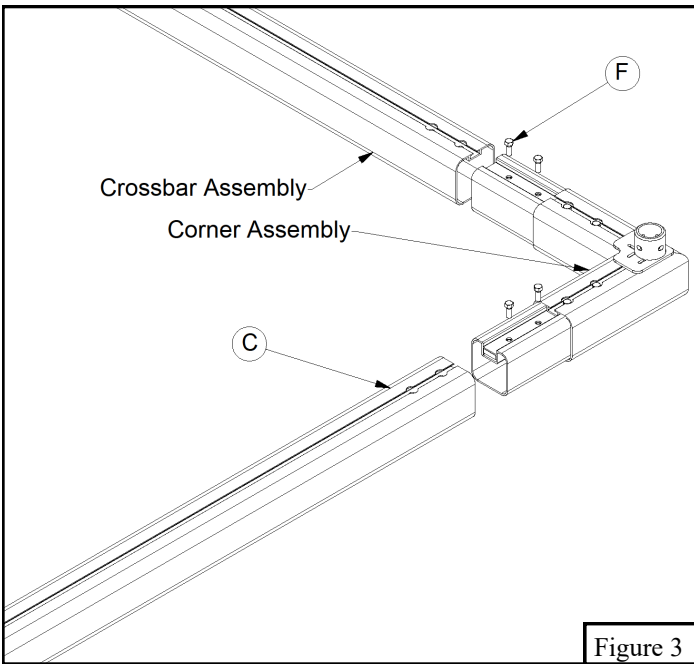


Figure 2

3. With the rear net attachment track facing upward, attach the corner assemblies from instruction #2 above onto the ends of each crossbar assembly from instruction #1 above using the $3/8'' \times 1''$ Hex Bolts (F). See Figure 3.
4. Attach the Uprights (C) to the crossbar and corner assemblies in instruction #3 above using the $3/8'' \times 1''$ Hex Bolts (F). See Figure 3.
5. To install European Backstays (I), insert the head of the two $5/16'' \times 1''$ Carriage Bolts (K) into the net attachment tracks at the top of each Upright (C) and slide downward to approximate position. Loosely attach the Backstay Mounting Brackets (J) using $5/16''$ Flat Washers (L) and $5/16''$ Lock Nuts (O). See Figure 4.
6. Insert each European Backstay (I) into the welded attachment tubes located on the Corner Sections (D) and the Backstay Mounting Brackets (J). Install and tighten $5/16'' \times 2 3/4''$ Hex Bolts (M) and $5/16''$ Lock Nuts (O) at each connection point. Tighten all Backstay Mounting Bracket (J) hardware.
7. Insert the Long Inner Tube (H) into the bottom of each Upright (C) and attach using Connecting Bar (E) and $3/8'' \times 1''$ Hex Bolts (F). See Figure 4.



8. Determine the location for installing the soccer goal or Optional SC44S Ground Sleeves (R) and flag the centerline of the 4 holes.
9. Dig holes a minimum of 8'' in diameter and at least 30'' deep on the goal line. It is advisable to bell out the bottom of the holes to improved goal stability. Make sure the goal is centered on the field before digging. The front surface of the goal should be even with the front edge of the goal line when installed. The distance between the holes will be determined by the purchased goal size. The 24' X 8' goal requires the holes to be 24' 4'' apart on center, the 21' X 7' goal requires the holes to be 21' 4'' apart on center, the 18 1/2' X 6 1/2' goal requires the holes to be 18' 10'' apart on center, the 12' X 6 1/2' goal requires the holes to be 12' 4'' apart on center and the 9' X 4 1/2' goal requires the holes to be 9' 4'' apart on center.

10. It will take approximately 1.25 cubic feet of *Quick Dry Cement* (S) for each hole depending on the actual size you dig your holes, less if you are installing optional *SC44S Ground Sleeves* (S). Always better to have too much rather than too little. Please allow 48 hours for the concrete to completely cure before removing supports.
11. Plan on having 2" X 4" wood bracing materials available prior to mixing the concrete to help insure that the *Uprights* (C) are plumb and the *Crossbar* (A) is level and at the correct height. Four *Pole Installation Aid Kits* (T) are provided to help.
12. If installing optional *SC44S Ground Sleeves* (R) it is critical that the *SC44S Ground Sleeves* (R) are precisely positioned in the concrete footing to insure easy installation and removal of the goal. For best results slide the *SC44S Ground Sleeves* (R) onto the bottom of the complete assembled goal and temporarily attach with duct tape to the *Upright* (C). Place the entire goal/ground sleeve assembly into the concrete footing using 2" X 4 " wood bracing and *Pole Installation Aid Kit* (T) to insure that everything is plumb, level, the correct height and properly positioned in the field. Use cap to protect ground sleeves when goal is removed.
13. If not using optional *SC44S Ground Sleeves* (R), follow the same procedure as instruction #11 above but without the *SC44S Ground Sleeves* (R) .
14. Install *Net Attachment Clips* (N) into the slots in each *Upright* (C), and each *Crossbar Assembly* (A). The *Net Attachment Clips* (N) slip into the slot and twist 90° into position. You have been provided enough *Net Attachment Clips* (N) to position one every 24"-30" and have extras depending on the size of your goal.
15. Drape the *Net* (Q) over the top of the *European Backstays* (I) and attach to the *Net Attachment Clips* (N) on the rear face of the goal. A rope is woven into the *Net* (Q) behind the top front to attach to the left hand and right hand *European Backstays* (I) to help support the *Net* (Q). **Note:** There is no *European Backstays* (I) on SC0945IGA goals.
16. Using the *Net Ground Stakes* (P), evenly spaced, anchor the bottom of your *Net* (Q) to the turf.
17. Use of optional soccer post padding is recommended to reduce the risk of player contact injury.