

— Instruction Manual —

SHCLKBKTBB

BACKBOARD MOUNT SHOT CLOCK BRACKET



Customer Service
(800) 247-7668

PARTS LIST					
Item	Qty	Description	Item	Qty	Description
A	2	Shot Clock Bracket	F	4	5/16" x 3" Hex Bolt
B	2	Adhesive Drill Template	G	4	5/16" Lock Washer
C	1	Center Punch	H	4	5/16" Hex Nut
D	4	5/16" x 1" Hex Bolt	I	12	8" Black Zip Tie
E	4	5/16" x 2" Hex Bolt	J	2	Shot Clock (packaged separately)

- ◆ Inspect all contents prior to installation. Report any missing or damaged parts to dealer immediately.
- ◆ Carefully read all instructions before proceeding.
- ◆ Save this instructions in the event that the manufacturer must be contacted in the future.

NOTE:

This bracket is intended for use only with the Bison SHCLK200 Wireless Shot Clock Systems and will fit most manufacturer's 72" wide rectangular glass backboard with only drilling of the top frame. In limited cases additional field modification may be required.

WARNING:

Installation will require a ladder or lift. Always take proper precautions when working at heights.

1. Using a tape measure mark the center of the 72" wide backboard with a marker. This should be 36" from each end.
2. Install the *Adhesive Drill Template* (B) with the front of the template flush with the front of the backboard's top frame and centered on the centerline of the backboard marked in #1 above. See Figure 1.
3. Using the *Center Punch* (C) provided and a hammer carefully punch a locating mark in the center of the 2 dots on the *Adhesive Drill Template* (B) to help locate the holes to be drilled.

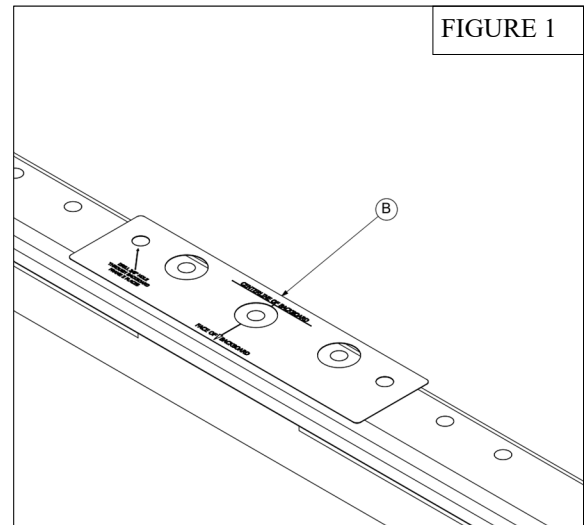


FIGURE 1

NOTE:

Different backboards have different styles of frames including aluminum extrusion steel tubing and others. Some backboards have additional framework installed to allow mounting rectangular glass backboards to existing fan shaped support structures. Different length bolts have been provided to allow mounting to any of the known backboard designs. Installer may need to improvise in the field if encountering different circumstances.

- Carefully drill a 1/8" – 3/16" pilot hole in each of the previously centerpunched locations, taking care to drill the holes straight and in the correct location. Redrill the holes to 3/8" for mounting of the *Shot Clock Bracket (A)*.

NOTE:

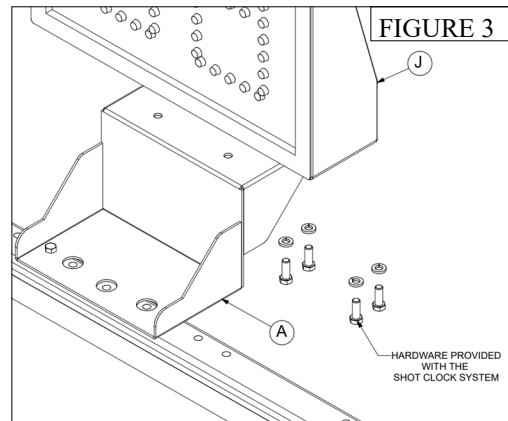
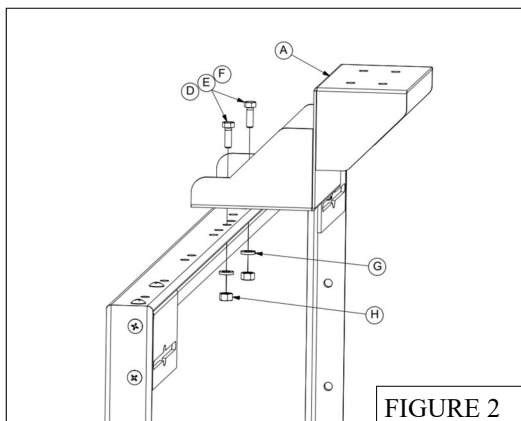
Drilling will produce aluminum or steel chips that may cause floor damage or injury. Brush all chips from backboard and structure and then vacuum or sweep up all chips from the floor.

- Attach the *Shot Clock Bracket (A)* to the top of the backboard using 5/16" *Hex Bolts (D, E or F)*, 5/16" *Lock Washers (G)* and 5/16" *Hex Nuts (H)*. Length of bolt will depend on the actual backboard design. Dispose of unused bolts. Tighten all hardware once you are confident that the *Shot Clock Bracket (A)* is positioned square on the backboard. See Figure 2.

NOTE:

If any existing bolt heads or other hardware interferes with the *Shot Clock Bracket (A)* sitting flat on the top of the backboard frame remove that hardware only after ensuring that there is enough other hardware to provide backboard assembly durability.

- With the *Shot Clock Brackets (A)* securely attached to the backboards, mount each *Shot Clock (J)* to the top of the *Shot Clock Bracket (A)* using the 3/8" hardware provided with the *Shot Clock (J)*. See Figure 3.



- Each *Shot Clock (J)* will require a 110-volt AC receptacle to provide power. A 30' long power cord is provided with each *Shot Clock (J)*. Once it is determined where the source of power is located, attach the power cord to the connector on the bottom of the *Shot Clock (J)* and run the cord neatly to the 110-volt receptacle. Use *Black Zip Ties (I)* to secure the power cord to structure for a clean installation taking into consideration the fact that some backboards are installed on movable swing-up or side-fold structures. If the 30' power cord is too long it is acceptable to shorten and reinstall a new male receptacle on the end.

- Some models require the use of a wireless remote power switch to power each shot clock after use. These need to be installed between the shot clock power plug and the mount receptacle. See Figure 4. Other models have this power switch built into the operating console.

- Additional *Shot Clock (J)* operation instructions are included in the manual provided with the *Shot Clock (J)*.

