

FLOATING FLOOR SOCKET WITH HINGED FLOOR PLATE

PARTS LIST					
Item	Qty	Description	Item	Qty	Description
A	1	Socket Assembly	F	2	Spacer
B	1	Hinged Floor Plate (Brass, Chrome or Lockable)	G	3	#10 Plastic Tubular Nut
C	3	Nylon Standoff			
D	3	#10 X 1 3/4" Flat Head Phillips Wood Screw			
E	4	#10 X 1" Wood Screw			

- ◆ Inspect all contents prior to installation. Report any missing parts to dealer immediately.
- ◆ Read all instructions before proceeding.

NOTICE:

These instructions cover installation of the Hinged Floor Plates used separately or in conjunction with volleyball floor socket systems in floating wood gym floors. Installation in tile, synthetic or other gym floors can be accomplished by modifying this instruction as needed to meet conditions.

Caution!

Avoid damage to expensive floor by carefully following these instructions using the VB23IK optional installation tool kit or by using an experienced installer.

1. Locate the desired center line of the *Hinged Floor Plate* (B) installation. If the *Hinged Floor Plate* (B) is being installed over an existing sonotube, subfloor cutout, excavated hole or existing socket care must be given to assure that the *Hinged Floor Plate* (B) is centered precisely over that center line. Consult architect as needed.
2. Drill a small (approximately 1/4"-3/8") hole in the center of the desired location in the wood floor. See Photo 1.
3. Center the optional VB23IK "thru hole" routing template on the small center line hole. Secure the template to the floor using duct tape to avoid movement during routing. Rout a 6" hole through the finished wood floor and remove any subfloor materials between the wood floor and the concrete subfloor. An experienced installer can use any method desired that results in a clean 6" diameter "thru hole". See Photo 2.

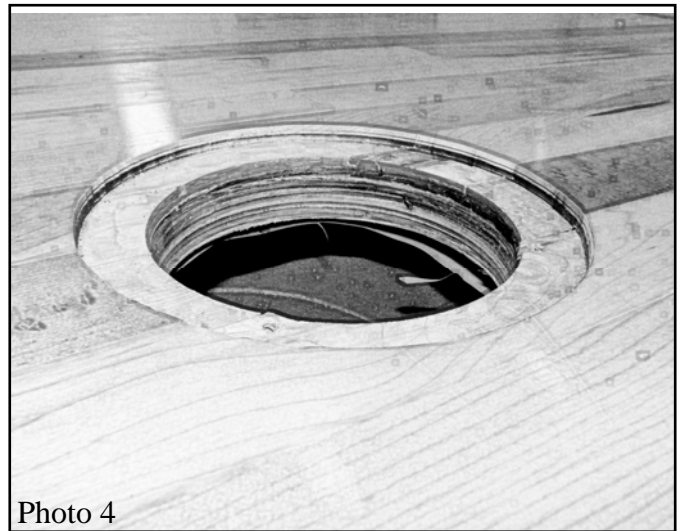
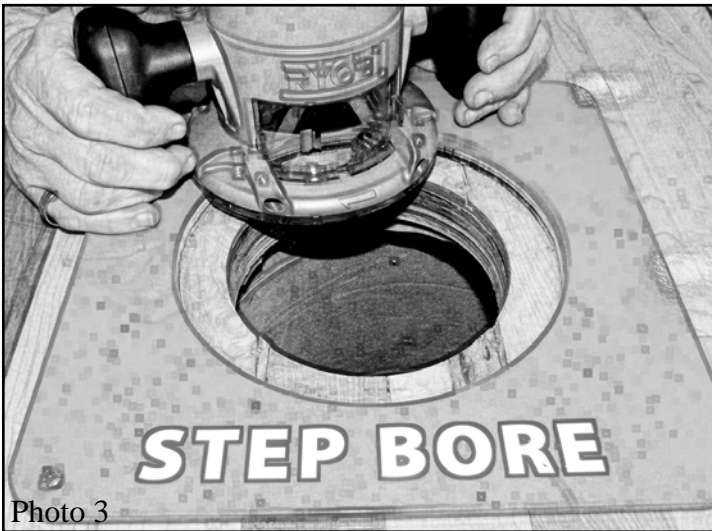


Photo 1



Photo 2

4. Check to insure that the “thru hole” is directly over the center of the existing excavation in the concrete subfloor. If necessary, it is possible to adjust the location as much as 1/2” in any direction without negatively effecting the *Hinged Floor Plate* (B) installation.
5. Using the optional VB23IK “step bore” routing template duct taped to the wood floor, centered on the “thru hole” or excavation in the concrete subfloor, route a 8” diameter X 3/8” deep step bore. The diameter and depth of the “step bore” is critical to insure flush and gap-free installation of the *Hinged Floor Plate* (B). An experienced installer can use any method desired that results in an accurate “step bore”. See Photos 3 and 4.



6. Insert the *Hinged Floor Plate* (B) into the routed floor pocket to insure proper fit. Rotate the *Hinged Floor Plate* (B) so that the hinged lid when raised is located outside the volleyball court and 180 degrees from the ultimate position of the net. Pre-drill an 1/8” pilot hole through the center of the 4 holes countersunk in the *Hinged Floor Plate* (B) to allow easy flush installation of the #10 X 1” Wood Screws (E) provided. The #10 X 1” Wood Screw (E) head must be flush or below the *Hinged Floor Plate* (B) Surface for the cover to close properly. See Photo 5.
7. If excess gaps exist between the *Hinged Floor Plate* (B) and the “step bore” in the floor fill with an appropriate wood putty as needed when installation is complete.



8. Excavate the soil, sand and gravel below the concrete to an approximate diameter of 30”. The depth of the hole should be approximately 20” from the top surface of the wood floor. See Figure 1.

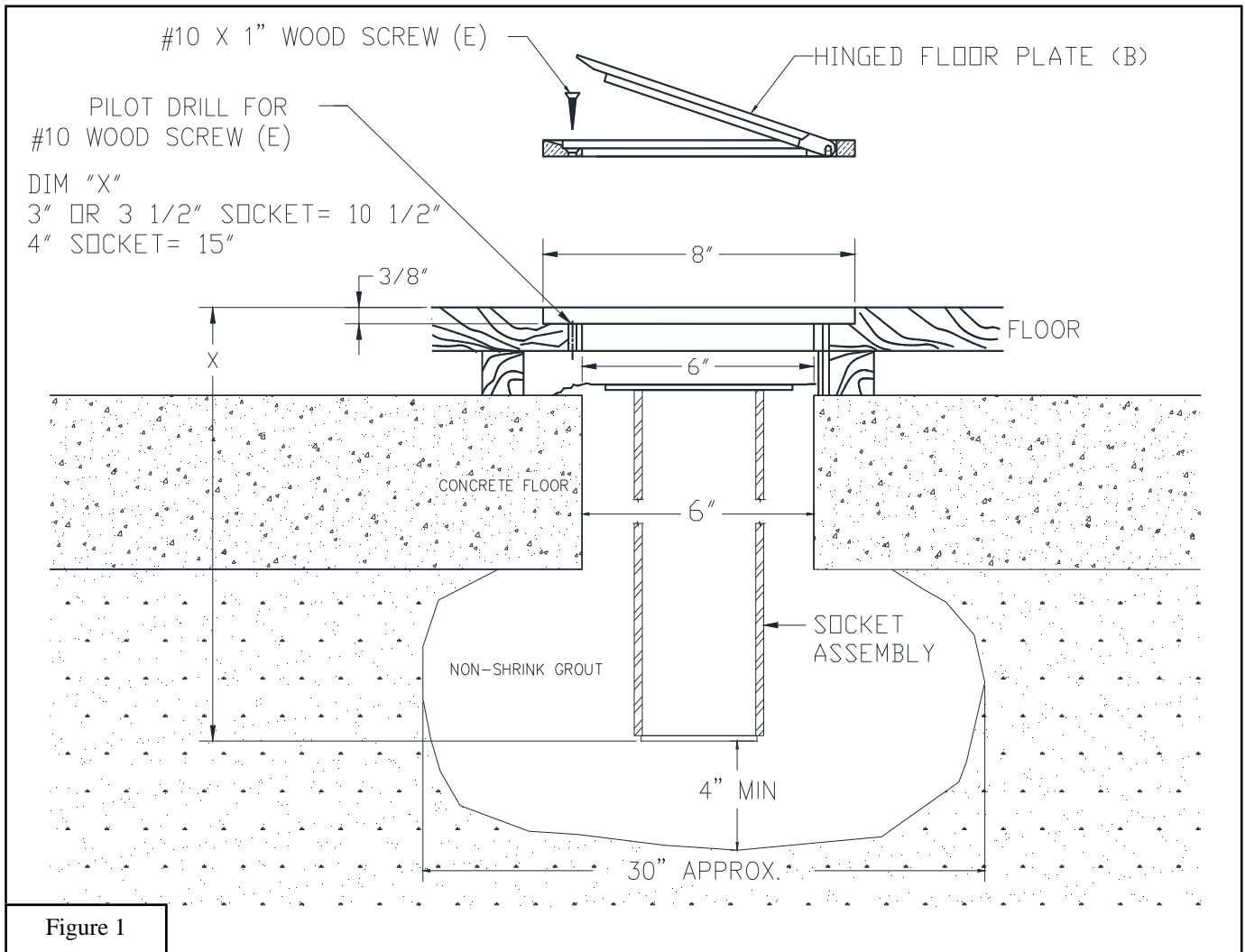


Figure 1

9. Attach the *Hinged Floor Plate (B)* to the *Socket Assembly (A)* using the *#10 X 1 3/4" Flat Head Phillips Wood Screws (D)*, *Spacers (F)*, *Nylon Standoffs (C)* and *#10 Plastic Tubular Nut (G)* provided. Make sure to install *Spacers (F)* in the two hole locations that are directly below the hinge on the *Hinged Floor Plate (B)*. See Fig 2.

NOTE:
The Spacers are used to install the socket at an angle to compensate for any pole distortion caused by net tensioning.

10. Place entire assembly into hole so that when the lid is opened it is on the outside of the court. Trace around the protruding tabs on the socket top in the routed hole then carefully rout clearance in all three areas. See Fig 2.
11. Install duct tape over the top of the socket to avoid grout entering the socket during installation.
12. Set the socket/floor plate assembly into the prepared hole to insure that both the socket and the floor plate fit neatly. Rework holes if necessary.

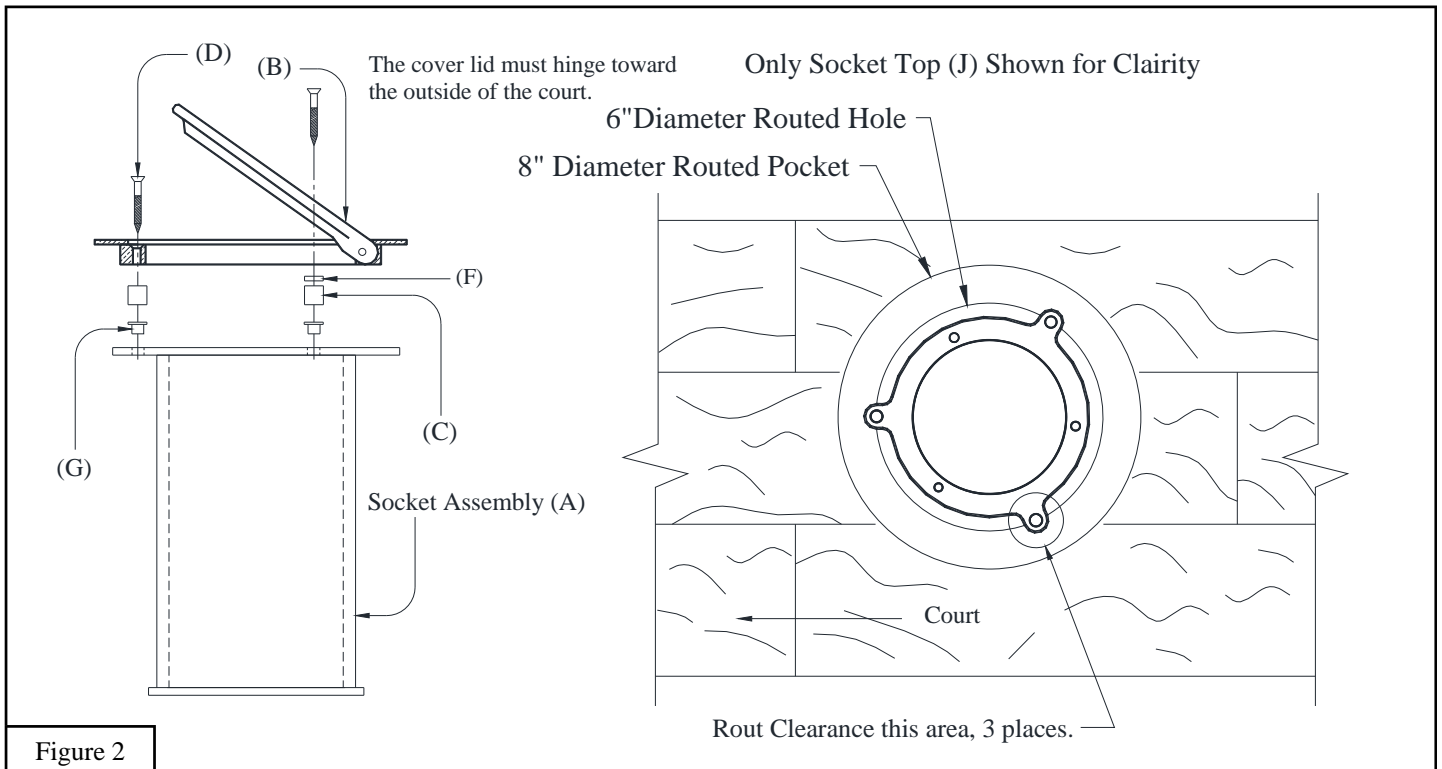


Figure 2

13. Fill the hole in the concrete with premixed, non-shrink grout to within approximately 4" of the top surface of the concrete. Using a pole, vibrate the grout to insure the hole is filled. It is recommended to use a quick cure chemical action mortar or similar product available at most construction supply outlets.
14. Install socket assembly into hole. You will need to work assembly into hole to allow the grout to surround the sleeve. If grout does not flow out the top of the hole in the concrete, remove assembly and add more grout.
15. Attach *Hinged Floor Plate* (B) to wood floor using the 4 #10 X 1" *Wood Screws* (E) provided. It is best to drill a small pilot hole into the wood to avoid cracking.
16. After allowing 2 hours for grout to set, remove the 4 #10 X 1" *Wood Screws* (E) then remove all hardware holding the *Hinged Floor Plate* (B) to the socket assembly. This allows the wood floor to move independent to the socket when humidity changes in the gym
17. Re-install *Hinged Floor Plate* (B) to floor using #10 X 1" *Wood Screws* (E).

Caution!

Do not allow use of sockets for 10 days as permanent structural damage to the socket installation may occur

