

— **Instruction Manual** —

VB80JR

Freestanding Portable Volleyball Base

Arena JR, Vision Pro Systems

PARTS LIST					
Item	Qty	Description	Item	Qty	Description
A	2	Portable VB Base	H	2	Step Pad (1 LH, 1 RH)
B	1	Transport Dolly	I	6	1/4" x 1" Hex Bolt
C	2	Poles (One w/winch)	J	6	1/4" Flat Washer
D	2	Pole Padding	K	1	Detent Pin
E	4	Base Side Pad (2 LH, 2 RH)	L	1	VB340 Sleeve Adapter (Optional)
F	2	Base Top Pad	M	1	VB354 Sleeve Adapter (Optional)
G	1	Step	N	2	Base Rear Pad

- ◆ Inspect all contents prior to installation. Report any missing parts to dealer immediately.
- ◆ **Read all instructions before proceeding.**

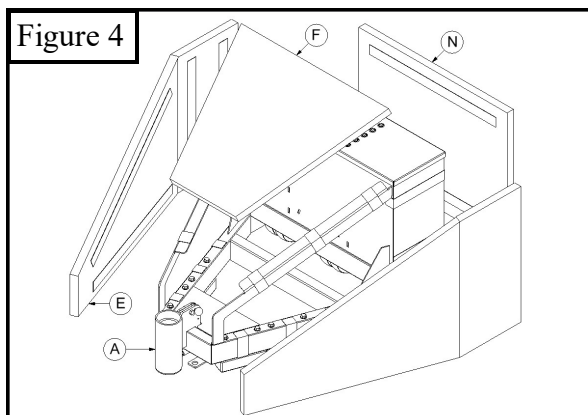
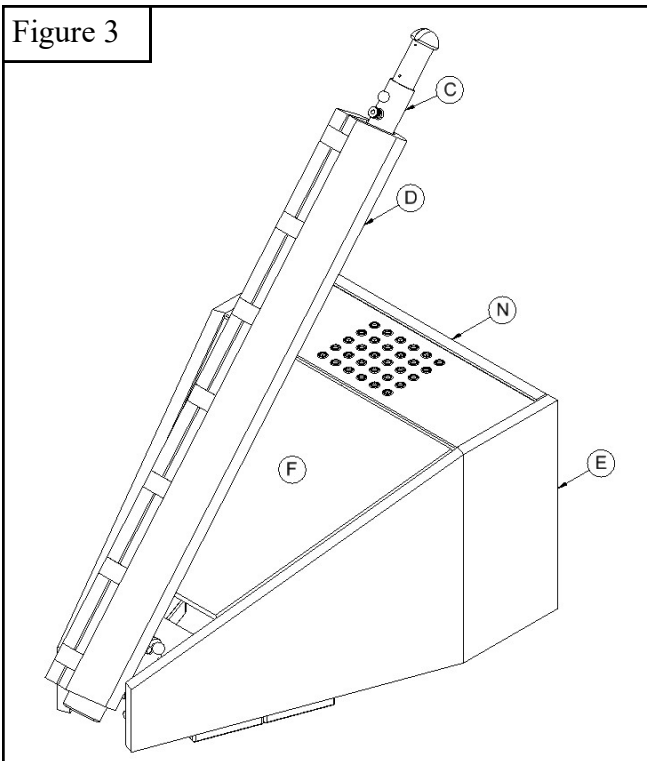
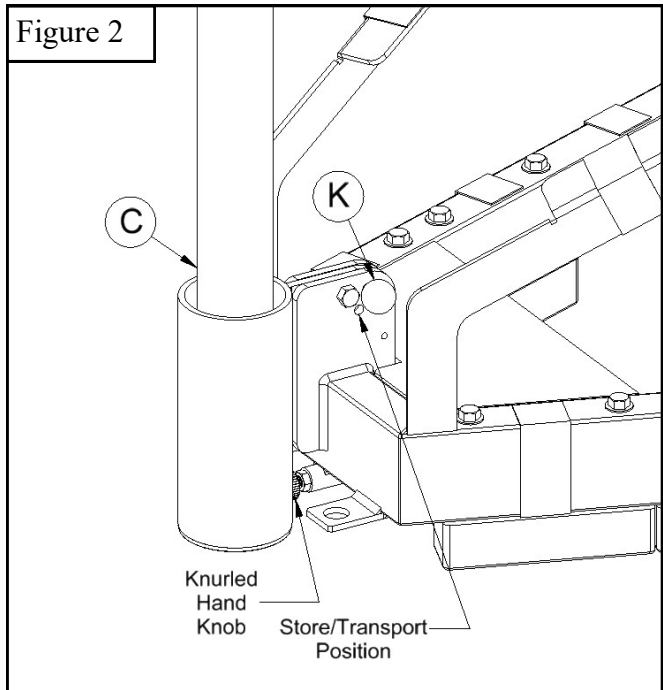
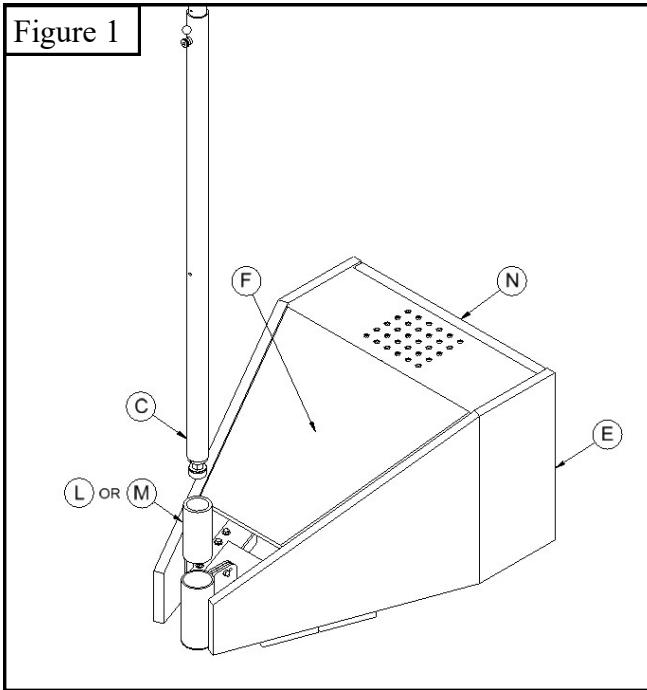
Warning!

While gym floor installers and refinishers often indicate floors are OK to walk or play on in 7-10 days after oil based polyurethane finishes are applied, in reality, it can actually take up to 30 days for all the chemicals in the polyurethane to dissipate. Chemical reactions between the floor finish and certain materials including urethane feet contacting the floor can cause permanent discoloration. Placement of this product on floors prior to the 30-day final cure period may risk discoloration that would not be covered by the manufacturer's warranty.

Caution:

Some telescoping poles are under spring pressure, make sure the knurled knob is tight and/or the detent pin that positions the inner pole is in place at all times to eliminate the risk of possible injury.

1. Insert *Poles* (C) into the pole sockets on the *Portable VB Bases* (A). Depending on the size of poles that are used you may need to use the *optional VB340 Sleeve Adapters* (L) or the *optional VB354 Sleeve Adapters* (M). See Figure 1.
2. Depending on the flexibility of the selected *Poles* (C) you may wish to tilt the top of the *Poles* (C) back slightly to allow for net tensioning. Use the pre-installed knurled hand knob to adjust the angle of the *Poles* (C) as desired. It is common to tilt the *Poles* (C) back 2°- 3°. When you are satisfied with your final court setup lock the hand knobs in place by tightening the jam nuts. See Figure 2.
3. Install the *Pole Padding* (D) on the *Poles* (C) with the Velcro straps facing the court and the bottom slit in the padding at the rear.
4. Attach *Base Side* (E), *Base Top* (F), and *Base Rear* (N) padding onto base with the bottom of the padding approximately 1" off the floor to allow for transport. See Figure 4.



5. To transport the *Portable VB Base* (A) insert the hook on the *Transport Dolly* (B) into the hole located on the front of the *Portable VB Base* (A). Once engaged rotate the *Transport Dolly* (B) down to lift the front of the *Portable VB Base* (A) off the ground. See Figure 5.
6. Roll the Base/Pole Assemblies into playing position with the poles approximately 37' apart. If you are using poles that you also use in floor sockets you will need to adjust the pole height to accommodate the excess pole protruding above the floor when used with the *Portable VB Bases* (A). See Figure 6.
7. Follow the net set up instructions provided with the poles that you have selected to complete set up process.
8. The *Pole* (C) can be tilted backwards for storage and transport without removing the *Pole* (C) or *Base Padding* (E)(F). Pull the *Detent Pin* (K) to allow the Pole (C) to tip back. Re-install *Detent Pin* (K) into the **Store/Transport** position to avoid accidental pole movement when transporting. See Figures 2 & 3.

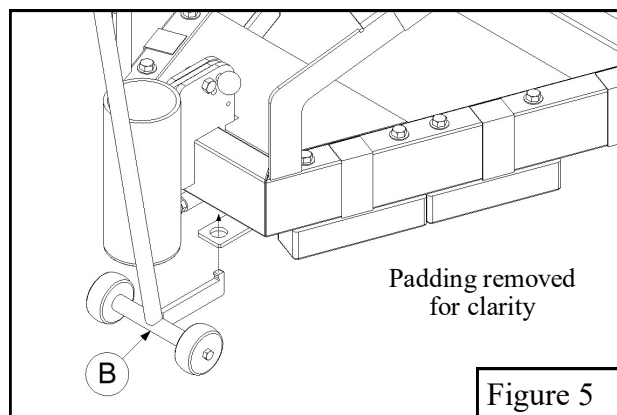
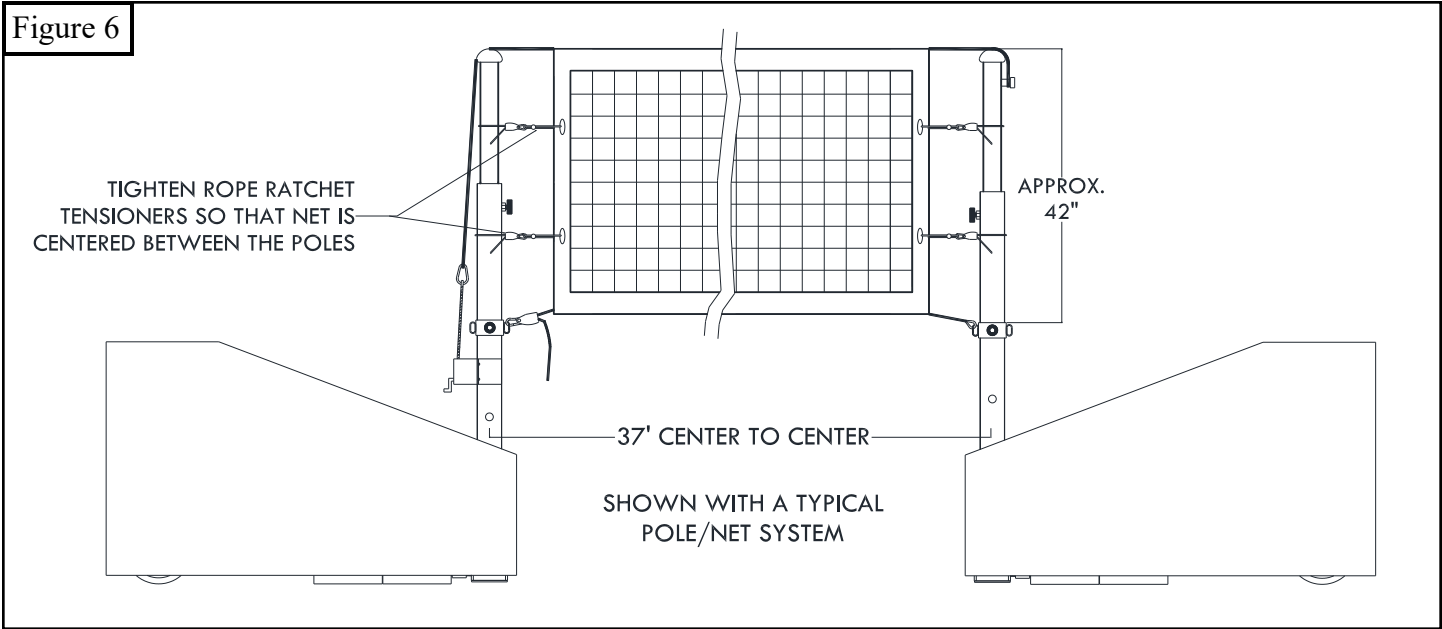


Figure 6



The *Portable VB Base* (A) is capable of being used with a VB73 judge's stand. If a judge's stand is to be used you will need to install the *Step* (G) on the back of the ballast box.

- Use the $1/4'' \times 1''$ Hex Bolts (I) and the $1/4''$ Flat Washers (J) to attach the *Step Pads* (H) to the *Step* (G). The *Step* (G) has four vertical tabs that fit into vertical slots on the back of the *Portable VB Base* (A). Make sure that the step is fully inserted and pressed down to latch securely. The *Step* (G) can be stored as shown when not in use. See Figures 7 & 8.

Figure 7

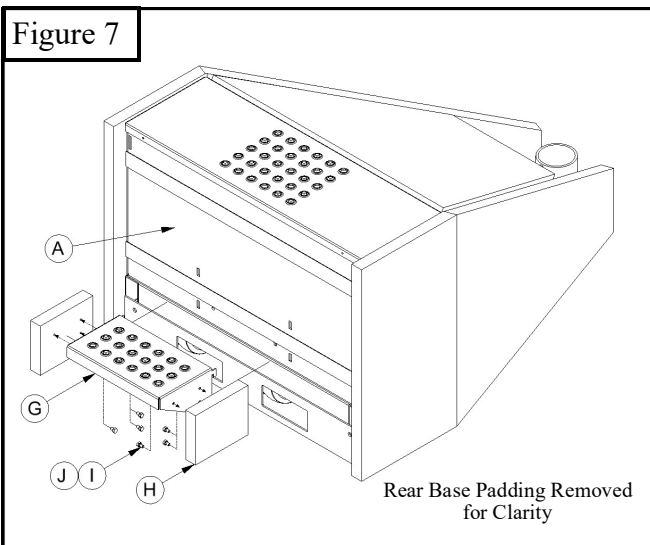


Figure 8

