

# BACKROOM

Window & Screen Repair



[primeline.net](http://primeline.net)

# SCREENING ACCESSORIES



## Window & Screen Repair

**Screen Spline:** The most common types of spline used on window screens are vinyl, hollow core, and serrated. The most popular colors are black and gray. Spline rolls are available from 25 ft. to 15 lb. rolls, with 250 ft. and 500 ft. rolls being the most popular. Foam spline is also used in the market place. The .270 sized foam spline is a good replacement for old style metal spline.

**Glazing Retainer Spline:** Glazing retainer spline is primarily used for window glass replacement and repair. They usually come in 200 ft. rolls and sizing will depend on if it's for a single or double glass application. Gray is the most common finish for this type of spline.

**Aluminum Screen Frame:** Screen frame comes in various colors and sizes. The more popular finishes are white, mill, and bronze. It also comes in various heights and widths with 5/16 in. and 7/16 in. being the most common width sizes and 3/4 in. the most common height. Other colors and sizes are available to meet the customer's needs.

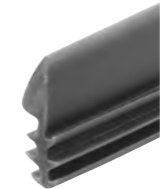
**Screen Frame Corners:** Screen frame corners are used to hold the screen frame together. They come in both plastic and aluminum and are available in various colors to match the frame. This includes popular brands such as Andersen® and Pella®. Some corners cannot be seen as they fit right into the frame (miter cut) while others called plastic square cuts can be seen at the end of the frame (square cut).

**Latches & Clips:** Screen latches and clips are designed to help keep the screen in place while set in the window or screen door frame. They come in various materials such as plastic, aluminum and diecast. Use of a particular latch, clip or bolt depends on the type window. For example, storm windows use a specially designed clip to be held in place.

**Tools:** Screen rollers are used to push the spline and screening material into the screen frame and hold it in place. Shears are designed to smoothly cut aluminum, pet, fiberglass and solar screen material.



P 7516  
Screen Spline



P 7795  
Glazing Spline



PL 14071  
Screen Frame



PL 7721  
Frame Corner



PL 14569  
Screen Clip



P 7629  
Screen Rolling Tool



ZZ 75-21  
©2021 Prime-Line



We offer a comprehensive program, encompassing all facets of screening and glazing of windows and doors.

## Section Table of Contents

- |  |                                     |
|--|-------------------------------------|
| <a href="#">How To Use The Catalog</a>       | <a href="#">Rigid Vinyl</a>         |
| <a href="#">Backroom Fixtures</a>            | <a href="#">Rolling Tools</a>       |
| <a href="#">Corners</a>                      | <a href="#">Screen Clips</a>        |
| <a href="#">Corner Keys</a>                  | <a href="#">Screen Cloth</a>        |
| <a href="#">Glazing Channel &amp; Spline</a> | <a href="#">Screen Door Grilles</a> |
| <a href="#">Hangers &amp; Latches</a>        | <a href="#">Screen Frame</a>        |
| <a href="#">Lift Tabs</a>                    | <a href="#">Slide Bolts</a>         |
| <a href="#">Plunger Latches</a>              | <a href="#">Storm Door Clips</a>    |
| <a href="#">Retainer Spline</a>              | <a href="#">Tilt Keys</a>           |

## WELCOME TO THE PRIME-LINE PRODUCTS BACKROOM SCREENING PROGRAM!

Today's market is extremely competitive and Prime-Line's Backroom Program helps store owners drive store traffic, sales transactions and build customer relationships based on great service.

Our program offers:

- Attractive ROI - Low investment / high profit
- Optimizes your selling floor / backroom by using a minimum of space
- Easy to use training options:
  - On-site training\*
  - Easy to learn videos
  - Industry trade show demonstrations

We know great service is what keeps customers, and attracts new ones. Let us partner with you and show you how our Backroom program can add value to your business and help you keep your competitive edge.

Contact us at: 800-255-3505, or visit us at [primeline.net](http://primeline.net) for more information. We look forward to hearing from you!

\*For an additional fee



### WHO WE ARE

Prime-Line Products has been supplying repair and replacement parts for windows and doors since 1978. Over 40 years of business acumen has led Prime-Line to the top of its trade. The worldwide need for residential maintenance has motivated our company to develop thousands of unique items for our customers. We service the professional trades with repair solutions throughout North America and abroad.

We also provide products to the Do-It-Yourself industry through home centers, hardware stores and lumber yards, with a wide variety of specialized repair parts that fit various individual and regional demands. We currently supply many manufacturers with OEM components that are in wide demand.



### OUR VALUE PROPOSITION

- Extensive product assortment
- Competitive wholesale pricing
- Largest selection of current and hard-to-find hardware
- In stock, ready to ship inventory
- Nationwide coverage
- Outstanding customer service
- Personalized account management
- State of the art ordering systems

### CUSTOMER SERVICE

Prime-Line's in-house expert Customer Service team is here to help you every step of the way. Available from 6 A.M. to 5 P.M. PST every weekday, you'll get all the answers you need along with a smooth order experience.

Just call 1-800-255-3505 or email [customerservice@primeline.net](mailto:customerservice@primeline.net) and we'll be happy to help!



Get the most out of your interactive catalog



Qty: 1 set per bag, 10 bags per pack.

Fiberglass cloth, plastic rolling tool, vinyl spline.

	Size	Spline size
<a href="#">P 7511</a>	36 in. x 84 in.	.180
<a href="#">P 7541</a>	48 in. x 84 in.	.180
<a href="#">P 7515</a>	36 in. x 84 in.	.155

Clickable hyperlink launches internet browser, opening a new web page that redirects to the product page on the Prime-Line website.

Toggle between photo and dimensioned line drawing of product.

Additional product specifications.

Embedded installation instructional video.\*

**P 7511 - Screen Door Repair Kit, Charcoal Fiberglass, with spline and tool. 10 kits per box.**

**DESCRIPTION**  
This item is a Fiberglass Screen Repair Kit for replacing damaged screen fabric in Window Screens and Screen Doors. Each Kit contains one (1) piece of Charcoal Fiberglass Screen 36" x 84", 30' of .180" Black Vinyl Spline and a Screen Rolling Tool. This kit will typically allow the repair of one (1) Screen Door or two (2) Window Screens. 10 Kits per box. Additional sizes available.

- Screen Repair Kit
- 1 piece of fiberglass screen material 36 inches x 84 inches
- Includes Rolling Tool and 30 feet of .180 diameter spline
- Color is Charcoal
- Replace damaged product
- Enough fabric to rescreen one (1) 36-inch wide screen door or two (2) average sized window screens
- Instructions included
- 10 Kits per carton
- P 7510, P 7540, P 7511, P 7541, P 7515, P 7542, P 8070, P 8071, P 8072

**Specifications**

Brand:	Make-2-Fit
Width:	36"
Reach:	84"
Spline Size Range:	0.18

How-To Video English Embed:

**PRIME-LINE**  
26950 San Bernardino Ave. Redlands, CA 92374  
800.255.3505

PRODUCT CATEGORIES | WHERE TO BUY | CATALOGS | HOW-TOS | ABOUT PRIME-LINE | PRODUCT RECALLS | SAFETY DATA SHEETS | CA PROPOSITION 65 | PRIVACY POLICY | CONTACT US | CAREERS | WARRANTY | SITEMAP

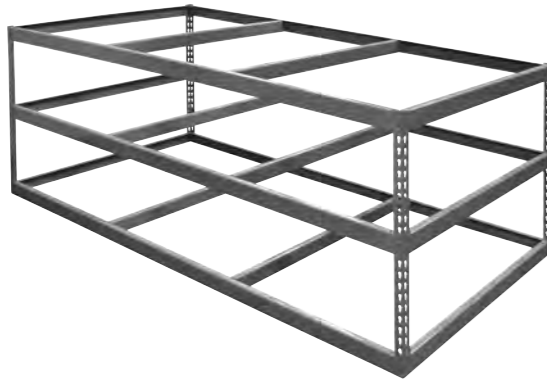
Descriptive title.

In depth product description.

Additional bullet points.

\*Product page may not have this feature.

## Backroom Fixtures



### Screen Table Kit

Qty: 1, with fasteners.

Boltless metal framing, adjustable shelving, 36 in. working height, designed for 3/4 in. plywood (not included).

**P 8060-G** (48 in. x 96 in.)



### Screen Table Tower Kit

Qty: 1, with fasteners.

Accessory item for the screen table, stores most commonly used screening material, painted steel uprights and top brace, supplied with (8) eye bolts and end caps to accommodate 3/4 in. electrical conduit.

**P 8076-G**



### Screen Table Top Carpeting

Qty: 1 roll

Protects window and screen frames from scratches, tough indoor/outdoor felt carpet, 72 in. x 108 in., overlaps top and is fastened to underside of table top.

**P 8099** (Gray)



### Portable Chop-Saw Table Kit

Qty: 1, with fasteners.

CHOP SAW NOT INCLUDED, steel frame, caster wheels with locking feature, built-in adjustable measuring device that allows for extended length measuring, 40-1/2 in. tall, 15-15/16 in. deep and the arms extend up to 107-3/4 in.

**P 8077**



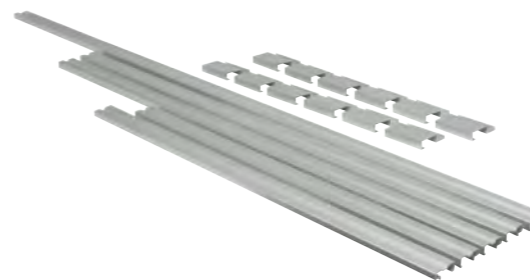
### E-Z Slide Cut-Off Gauge Replacement Tape

Qty: 1

Measuring tape for cut-off gauge, starts at zero and increases to 144 inches, self-adhesive.

**P 7927** (Right hand stop replacement tape)

**P 7928** (Left hand stop replacement tape)



### Screen Table Jig

Qty: 1 set, with fasteners.

2 bars drilled for attachment to table, 3 free moving bars, 12 aluminum screen frame clips (for 3/4 in. frame), allows the screen frame to be held firmly & squarely in place while installing screen fabric.

**P 7924**



### Screen Table Jig Clips

Qty: 4 clips

Used to secure screen frame squarely to the screen jig and allows for accurate installation of screen fabric.

**P 7932** (3/4 in. clips)

**P 7933** (1 in. clips)

### Accu-Rule Measuring Stick

Qty: 1

2 piece, extruded aluminum, adjustable, locking knob holds firm while overall measurement is read, quickly and accurately measure vertical and horizontal screen openings.



	Minimum Dimension	Extended Dimension
<a href="#">P 8067</a>	12 in.	20 in.
<a href="#">P 8066</a>	20 in.	38 in.
<a href="#">P 8065</a>	32 in.	62 in.
<a href="#">P 8064</a>	62 in.	122 in.

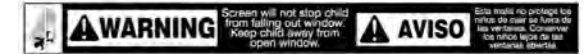


### Parts Bin Box

Qty: 5

4-1/2 in. wide x 6 in. high x 12 in. deep, cardboard, white.

[P 8143](#)



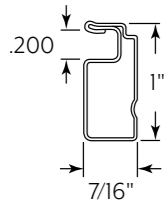
### Screen Warning Label

Qty: 100

1/2 in. high x 4.5 in. wide, self adhesive.

[P 8081](#)

### 1 in. x 7/16 in.



### Screen Frame

Qty: 36 pieces per carton.

1 in. x 7/16 in. x 12 ft. 2 in., .025 gauge, use spline size .130 for aluminum mesh or .140 for fiberglass mesh.

[PL 16762](#) (Mill) [PL 16764](#) (White) [PL 16776](#) (Adobe)  
[PL 16763](#) (Bronze) [PL 16765](#) (Almond)



### Corner

Qty: 500 per box.

Aluminum, miter cut, for 1 in. frame, .050 gauge.

[PL 16766](#) (Mill)



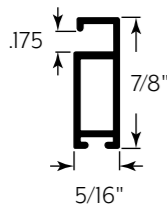
### Corner

Qty: 20 per tub.

Plastic, square cut, for 1 in. x 7/16 in. frame, fits Kolbe® Window Screens only.

[PL 14939](#) (White)

### 7/8 in. x 5/16 in.



### Screen Frame

Qty: 10 pieces per carton.

Extruded, 7/8 in. x 5/16 in., .038 gauge, use foam spline size .190, use 3/16 in. wide pile weatherstrip.

[PL 15974](#) (Mill) [PL 15976](#) (White)



### Corner

Qty: 20 per tub.

Aluminum, miter cut, for 7/8 in. x 5/16 in. frame.

[PL 15977](#) (Mill)



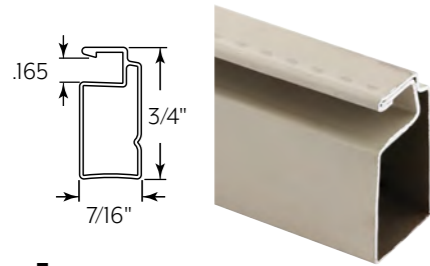
### Corner

Qty: 100 per polybag.

Aluminum, miter cut, for 7/8 in. x 5/16 in. frame.

[PL 16678](#) (Mill)

**3/4 in. x 7/16 in.**



**Screen Frame**

Qty: 20 pieces per carton.

3/4 in. x 7/16 in. x 94 in., .020 gauge, match for Andersen® Window, use spline size .165 for aluminum mesh or .185 for fiberglass mesh.

[PL 16128](#) (Sandstone / Tan)    [PL 16132](#) (Terratone / Bronze)



**Corner**

Qty: 20 per tub.

Plastic, miter cut, for 3/4 in. x 7/16 in. frame.

[PL 16263](#) (Sandstone / Tan)

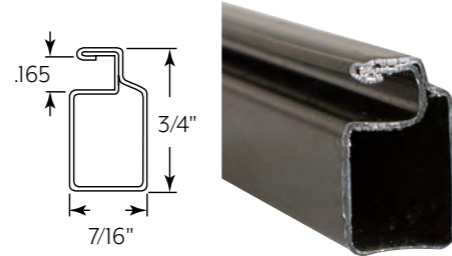


How-To Video: Cutting Screen Frame with a Mitre Box

**Screen Frame**

3/4 in. x 7/16 in., .020 gauge, use spline size .165 for aluminum mesh or .185 for fiberglass mesh.

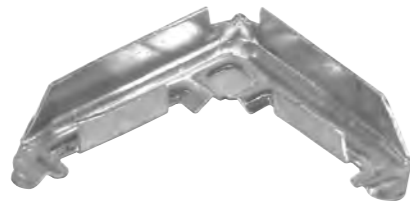
	Length	Pieces per Ctn.	Finish
<a href="#">PL 14039</a>	94 in.	20	Mill
<a href="#">PL 14041</a>	94 in.	20	Bronze
<a href="#">PL 14042</a>	94 in.	20	White
<a href="#">PL 15617</a>	12 ft. 2 in.	40	Mill
<a href="#">PL 15619</a>	12 ft. 2 in.	40	Bronze
<a href="#">PL 15620</a>	12 ft. 2 in.	40	White



**Corner**

Plastic, square cut, for 3/4 in. x 7/16 in. frame.

	Pack Qty.	Retail Package	Finish
<a href="#">PL 7724</a>	4 per Card	Yes	Gray
<a href="#">PL 7725</a>	4 per Card	Yes	Bronze
<a href="#">PL 7726</a>	4 per Card	Yes	White
<a href="#">PL 14258</a>	100 per Box	No	Gray
<a href="#">PL 14259</a>	100 per Box	No	Bronze
<a href="#">PL 14260</a>	100 per Box	No	White



**Corner**

Qty: 100 per box.

Aluminum, miter cut, for 3/4 in. x 7/16 in. frame, .040 gauge.

[PL 14268](#) (Mill)



**Corner**

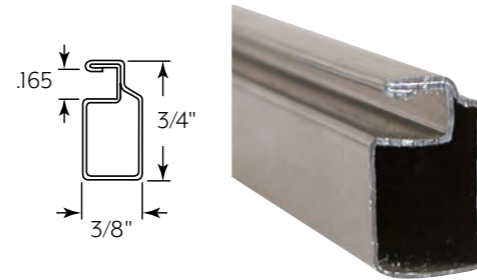
Qty: 20 per tub.

Plastic, riveted corner, adjustable from 45° to 135°, miter cut, for 3/4 in. x 7/16 in. frame.

[PL 16138](#) (Black)

**3/4 in. x 3/8 in.**

	Length	Pieces per Ctn.	Finish
<a href="#">PL 14053</a>	72 in.	20	Mill
<a href="#">PL 14055</a>	72 in.	20	Bronze
<a href="#">PL 14056</a>	72 in.	20	White
<a href="#">PL 14059</a>	94 in.	20	Mill
<a href="#">PL 14061</a>	94 in.	20	Bronze
<a href="#">PL 14062</a>	94 in.	20	White
<a href="#">PL 15624</a>	12 ft. 2 in.	48	Mill
<a href="#">PL 15626</a>	12 ft. 2 in.	48	Bronze
<a href="#">PL 15627</a>	12 ft. 2 in.	48	White



**Screen Frame**

3/4 in. x 3/8 in., .020 gauge, use spline size .165 for aluminum mesh or .185 for fiberglass mesh.

	Pack Qty.	Retail Package	Finish
<a href="#">PL 7721</a>	4 per Card	Yes	Gray
<a href="#">PL 7722</a>	4 per Card	Yes	Bronze
<a href="#">PL 7723</a>	4 per Card	Yes	White
<a href="#">PL 14272</a>	100 per Box	No	Gray
<a href="#">PL 14273</a>	100 per Box	No	Bronze
<a href="#">PL 14274</a>	100 per Box	No	White
<a href="#">PL 14275</a>	100 per Box	No	Almond



**Corner**

Plastic, square cut, for 3/4 in. x 3/8 in. frame.



**Corner**

Qty: 100 per box.

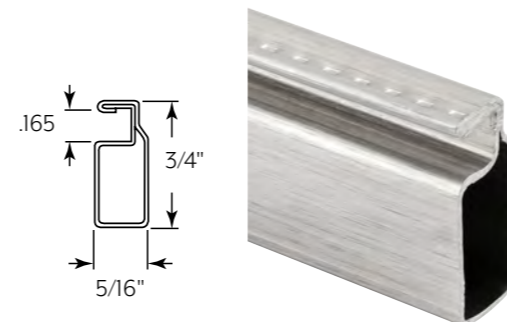
Aluminum, miter cut, for 3/4 in. x 3/8 in. frame, .040 gauge.

[PL 14282](#) (Mill)

**3/4 in. x 5/16 in.**

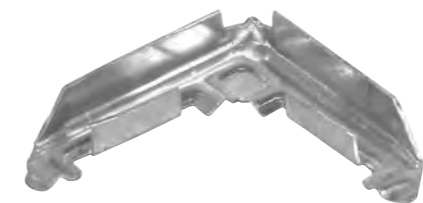
	Length	Pieces per Ctn.	Finish
<a href="#">PL 14071</a>	72 in.	20	Mill
<a href="#">PL 14073</a>	72 in.	20	Bronze
<a href="#">PL 14074</a>	72 in.	20	White
<a href="#">PL 14075</a>	72 in.	20	Almond
<a href="#">PL 14077</a>	94 in.	20	Mill
<a href="#">PL 14079</a>	94 in.	20	Bronze
<a href="#">PL 14080</a>	94 in.	20	White
<a href="#">PL 14081</a>	94 in.	20	Almond

	Length	Pieces per Ctn.	Finish
<a href="#">PL 15629</a>	12 ft. 2 in.	56	Mill
<a href="#">PL 15631</a>	12 ft. 2 in.	56	Bronze
<a href="#">PL 15632</a>	12 ft. 2 in.	56	White
<a href="#">PL 15633</a>	12 ft. 2 in.	56	Almond
<a href="#">PL 16476</a>	12 ft. 2 in.	56	Adobe
<a href="#">PL 14086</a>	12 ft. 2 in.	100	White



**Screen Frame**

3/4 in. x 5/16 in., .020 gauge, use spline size .165 for aluminum mesh or .185 for fiberglass mesh.



**Corner**

Aluminum, miter cut, for 3/4 in. x 5/16 in. frame.

[PL 14294](#) (Qty. 100 per box)

[PL 16030](#) (Qty. 500 per box)



# SCREENING ACCESSORIES

## Aluminum Screen Frame & Corners

	Pack Qty.	Retail Package	Finish
<a href="#">PL 7727</a>	4 per Card	Yes	Gray
<a href="#">PL 7728</a>	4 per Card	Yes	Bronze
<a href="#">PL 7729</a>	4 per Card	Yes	White
<a href="#">PL 14284</a>	100 per Box	No	Gray
<a href="#">PL 14285</a>	100 per Box	No	Bronze
<a href="#">PL 14286</a>	100 per Box	No	White
<a href="#">PL 14287</a>	100 per Box	No	Almond
<a href="#">PL 16023</a>	250 per Box	No	White



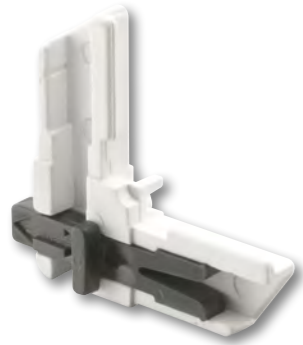
**Corner**  
Plastic, square cut, for 3/4 in. x 5/16 in. frame.



**Corner**  
Qty: 10 pairs per tub.  
Plastic, square cut, for 3/4 in. x 5/16 in. frame, left and right hand.  
[PL 16156](#) (White)

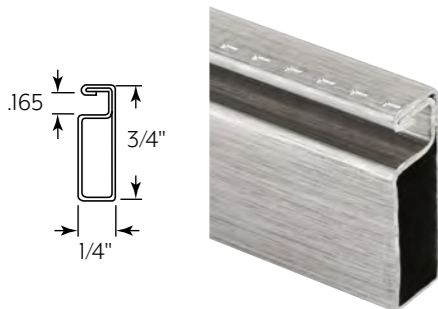


**Corner**  
Qty: 20 per tub.  
Plastic, square cut, for 3/4 in. x 5/16 in. frame, used on storm door screen panels.  
[PL 16158](#) (White)



**Corner**  
Qty: 20 per tub.  
Plastic, square cut, for 3/4 in. x 5/16 in. frame, locking feature.  
[PL 16404](#) (White)

### 3/4 in. x 1/4 in.



**Screen Frame**  
Qty: 20 pieces per carton.  
3/4 in. x 1/4 in. x 94 in., .020 gauge, use spline size .135 for aluminum mesh or .150 for fiberglass mesh.  
[PL 14092](#) (Mill) [PL 14093](#) (Bronze) [PL 14094](#) (White)

**Corner**  
Plastic, square cut, for 3/4 in. x 1/4 in. frame.

	Pack Qty.	Retail Package	Finish
<a href="#">PL 7718</a>	4 per Card	Yes	Gray
<a href="#">PL 7719</a>	4 per Card	Yes	Bronze
<a href="#">PL 7720</a>	4 per Card	Yes	White
<a href="#">PL 14297</a>	100 per Box	No	Bronze
<a href="#">PL 14298</a>	100 per Box	No	White



**Corner**  
Qty: 100 per box.  
Aluminum, miter cut, for 3/4 in. x 1/4 in. frame.  
[PL 14306](#) (Mill)

## Aluminum Screen Frame Kit

### Screen Frame Kit

Qty: 10 kits per carton.

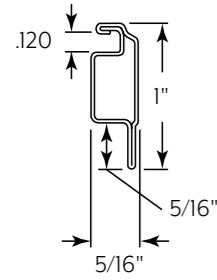
Square-cut screen or storm window kit, includes frame, square cut corners and spline, makes 1 (one) screen frame, accepts aluminum or fiberglass mesh screen or flexible poly film (not included).



How-To Video: Building a Square-Cut Screen Frame

	Retail Package	Size	Finish	Length
<a href="#">PL 7803</a>	Yes	3/4 in. x 5/16 in.	Mill	3 ft.
<a href="#">PL 7804</a>	Yes	3/4 in. x 5/16 in.	Mill	4 ft.
<a href="#">PL 7805</a>	Yes	3/4 in. x 5/16 in.	Mill	5 ft.
<a href="#">PL 7856</a>	Yes	3/4 in. x 5/16 in.	Gray	3 ft.
<a href="#">PL 7857</a>	Yes	3/4 in. x 5/16 in.	Gray	4 ft.
<a href="#">PL 7858</a>	Yes	3/4 in. x 5/16 in.	Gray	5 ft.
<a href="#">PL 7806</a>	Yes	3/4 in. x 5/16 in.	Bronze	3 ft.
<a href="#">PL 7807</a>	Yes	3/4 in. x 5/16 in.	Bronze	4 ft.
<a href="#">PL 7808</a>	Yes	3/4 in. x 5/16 in.	Bronze	5 ft.
<a href="#">PL 7812</a>	Yes	3/4 in. x 5/16 in.	White	3 ft.
<a href="#">PL 7813</a>	Yes	3/4 in. x 5/16 in.	White	4 ft.
<a href="#">PL 7814</a>	Yes	3/4 in. x 5/16 in.	White	5 ft.
<a href="#">PL 7823</a>	Yes	3/4 in. x 3/8 in.	White	5 ft.
<a href="#">PL 7800</a>	Yes	3/4 in. x 7/16 in.	Mill	3 ft.
<a href="#">PL 7801</a>	Yes	3/4 in. x 7/16 in.	Mill	4 ft.
<a href="#">PL 7802</a>	Yes	3/4 in. x 7/16 in.	Mill	5 ft.
<a href="#">PL 7809</a>	Yes	3/4 in. x 7/16 in.	Bronze	3 ft.
<a href="#">PL 7810</a>	Yes	3/4 in. x 7/16 in.	Bronze	4 ft.
<a href="#">PL 7811</a>	Yes	3/4 in. x 7/16 in.	Bronze	5 ft.
<a href="#">PL 7836</a>	Yes	3/4 in. x 7/16 in.	White	3 ft.
<a href="#">PL 7837</a>	Yes	3/4 in. x 7/16 in.	White	4 ft.

## Lip Frame & Corners



### Lip Frame

Qty: 24 pieces per carton.

1 in. x 5/16 in., 5/16 in. lip, .020 gauge, use spline size .130 for aluminum mesh or .140 for fiberglass mesh.

**PL 16771** (Mill - 72 in.)

**PL 16773** (White - 94 in.)

**PL 16772** (White - 72 in.)



### Corner

Qty: 20 per tub.

Plastic, square cut, for 5/16 in. lip frame.

**PL 16775** (White)

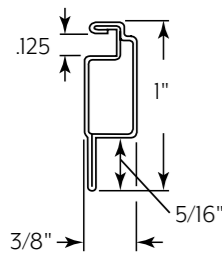


### Corner

Qty: 20 per tub.

Plastic, miter cut, for 5/16 in. lip frame.

**PL 16774** (White)



### Lip Frame - Reverse Lip

Qty: 15 pieces per carton.

1 in. x 3/8 in. x 94 in., 5/16 in. lip, .020 gauge, use spline size .140 for aluminum mesh or .150 for fiberglass mesh.

**PL 15991** (Bronze)

**PL 15992** (White)



### Corner

Qty: 100 per box.

Plastic, square cut, for 5/16 in. lip frame.

**PL 16391** (White)

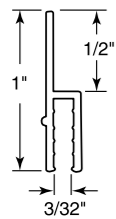


### Corner

Qty: 20 per tub.

Aluminum, miter cut, fits 3/8 in. window frame.

**PL 14318** (Mill)

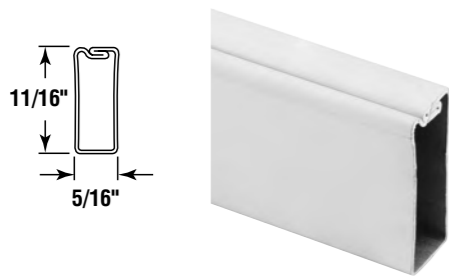


### Lip Frame

Qty: 25 pieces per carton.

Rigid vinyl, 1 in. x 3/32 in. x 72 in., 1/2 in. lip, used on basement and storm windows, requires no vinyl insert.

**PL 15967** (White)

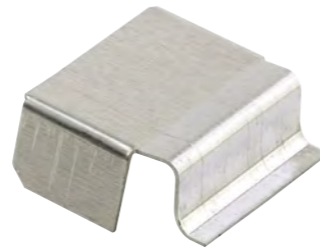


### Spreader Bar

Qty: 20 pieces per carton.

11/16 in. x 5/16 x 72 in., .025 gauge, used on screens in excess of 48 in., mounts across the center of the screen and prevents the sides of the screen from bowing in, keeps the screen fabric tight, no wrinkles or sagging.

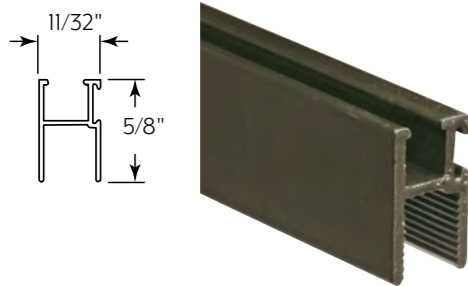
**PL 16767** (Mill) **PL 16768** (Bronze) **PL 16769** (White)



### Spreader Bar Clip

Stamped aluminum, designed to secure a center-mounted 5/8 in. crossbar onto oversized window screens, secured in the center of screen by the screen spline.

**PL 8242** (Qty. 6 per card) **PL 16770** (Qty. 100 per tub)

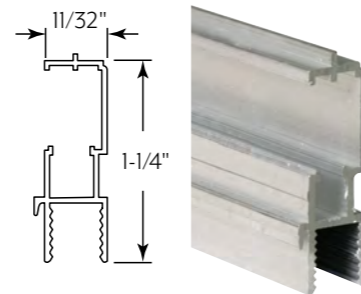


### Triple Track Window Frame (Standard Style)

Qty: 12 pieces per carton.

5/8 in. x 11/32 in. x 72 in., top and side window frame, standard style, extruded aluminum.

**PL 14189** (Mill) **PL 14190** (Bronze) **PL 14191** (White)

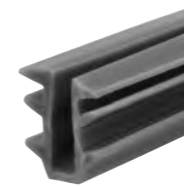


### Triple Track Window Frame (Standard Style)

Qty: 6 pieces per carton.

1-1/4 in. x 11/32 in. x 72 in., bottom window frame, standard style, extruded aluminum.

**PL 14192** (Mill) **PL 14194** (White)

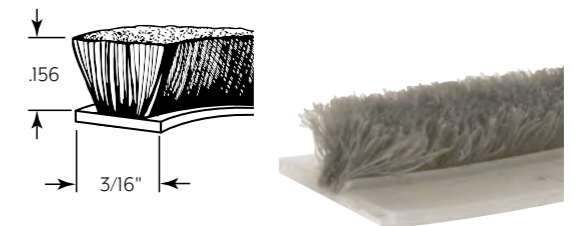


### Glazing Channel

Qty: 200 ft., 1 roll per carton.

Flexible extruded gray vinyl, easily trimmed to size, used with aluminum window frame to cushion and insulate the glass, accepts single strength (3/32 in.) glass or plexiglass.

**P 7741**

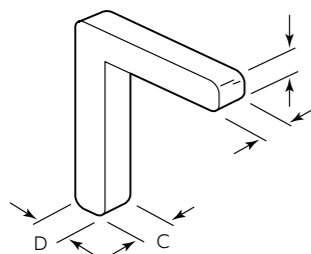


### Pile Weatherstrip

Snap-in design, dual fin barrier protection, woven pile material, helps seal out insects, weather and noise.

**T 8658** (18 ft., 10 pieces per carton)

**P 7823** (100 ft., 1 roll per carton)



### Corner Key

Diecast, non-handed, fits left or right side.

**PL 15052** (20 per tub)

"A"	"B"	"C"	"D"
.198	.197	.198	.197
3/16 in.	3/16 in.	3/16 in.	3/16 in.

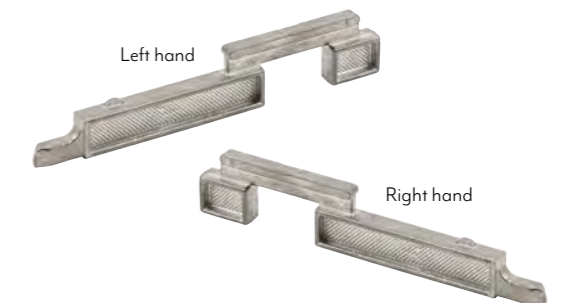


### Tilt Key

Diecast, non-handed, fits left or right side.

**PL 15228** (20 per tub)

"A"	"B"	"C"	"D"
.200	.195	.200	.195
3/16 in.	3/16 in.	3/16 in.	3/16 in.



### Slide Bolt

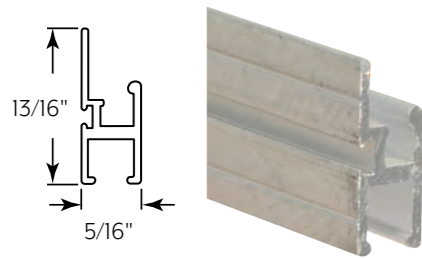
Diecast, handed.

**PL 15492** (Left hand - Qty. 20 per tub)

**PL 15494** (Right hand - Qty. 20 per tub)

Note: Fractional measurements are nominal only, decimal are actual dimensions.

## Triple Track Frame

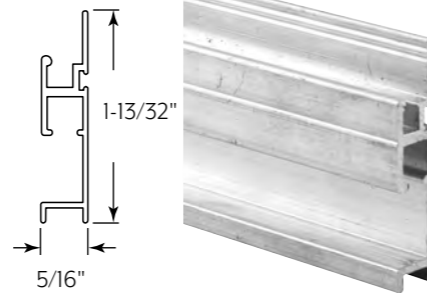


### Triple Track Window Frame (Drop-in Style)

Qty: 12 pieces per carton.

13/16 in. x 5/16 in. x 72 in., top and side window frame, drop-in style, extruded aluminum.

[PL15968](#) (Mill) [PL15970](#) (White)

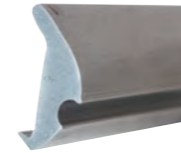


### Triple Track Window Frame (Drop-in Style)

Qty: 6 pieces per carton.

1-13/32 in. x 5/16 in. x 72 in., bottom window frame, drop-in style, extruded aluminum.

[PL15971](#) (Mill) [PL15973](#) (White)

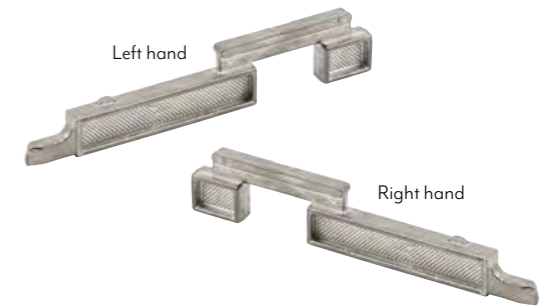


### Glazing Spline

Qty: 200 ft., 1 roll per carton.

Flexible extruded gray vinyl, easily trimmed to size, used on aluminum windows between the glass and outer channel.

[P7771](#)

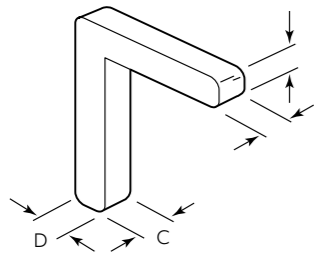


### Slide Bolt

Diecast, handed.

[PL15492](#) (Left hand - Qty. 20 per tub)

[PL15494](#) (Right hand - Qty. 20 per tub)



### Corner Key

Diecast, non-handed, fits left or right side.

[PL15052](#) (20 per tub)

"A"	"B"	"C"	"D"
.198	.197	.198	.197
3/16 in.	3/16 in.	3/16 in.	3/16 in.



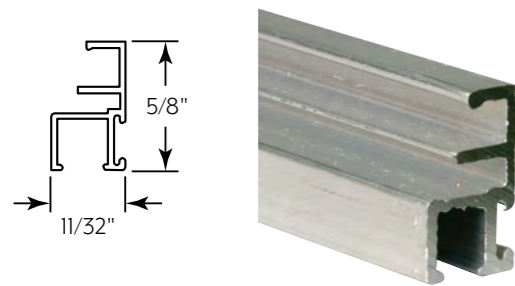
### Tilt Key

Diecast, non-handed, fits left or right side.

[PL15228](#) (20 per tub)

"A"	"B"	"C"	"D"
.200	.195	.200	.195
3/16 in.	3/16 in.	3/16 in.	3/16 in.

Note: Fractional measurements are nominal only, decimal are actual dimensions.

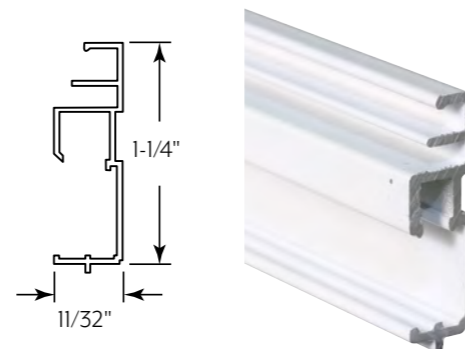


### Triple Track Screen Frame (Wrap Around Style)

Qty: 12 pieces per carton.

5/8 in. x 11/32 in., top and side screen frame, wrap around style, extruded aluminum.

[PL14201](#) (Mill) [PL14203](#) (White)



### Triple Track Screen Frame (Wrap Around Style)

Qty: 6 pieces per carton.

1-1/4 in. x 11/32 x 72 in., bottom screen frame, wrap around style, extruded aluminum.

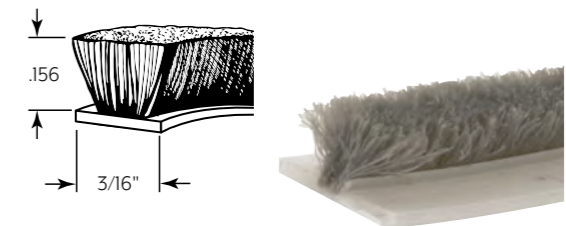
[PL14204](#) (Mill) [PL14206](#) (White)



### Retainer Spline

Gray flexible extruded vinyl, .140, 32 point hollow core, serrated, for aluminum and fiberglass screening.

[P7633](#) (25 ft.) [P7661](#) (250 ft.) [P7662](#) (500 ft.)

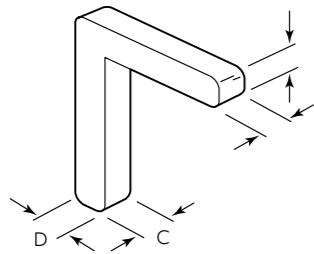


### Pile Weatherstrip

Snap-in design, dual fin barrier protection, woven pile material, helps seal out insects, weather and noise.

[T8658](#) (18 ft., 10 pieces per carton)

[P7823](#) (100 ft., 1 roll per carton)



Note: Fractional measurements are nominal only, decimal are actual dimensions.

### Corner Key

Diecast, non-handed, fits left or right side.

**PL 15052** (20 per tub)

"A"	"B"	"C"	"D"
.198	.197	.198	.197
3/16 in.	3/16 in.	3/16 in.	3/16 in.

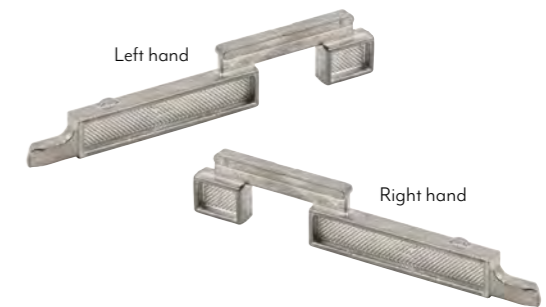


### Tilt Key

Diecast, non-handed, fits left or right side.

**PL 15228** (20 per tub)

"A"	"B"	"C"	"D"
.200	.195	.200	.195
3/16 in.	3/16 in.	3/16 in.	3/16 in.



### Slide Bolt

Diecast, handed.

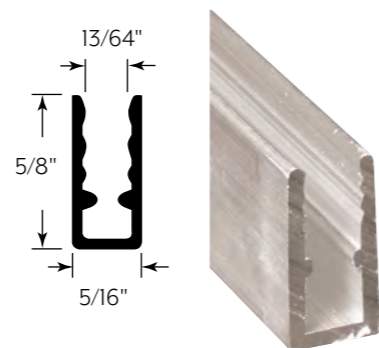
**PL 15492** (Left hand - Qty. 20 per tub)

**PL 15494** (Right hand - Qty. 20 per tub)

### Window Frame

Extruded aluminum, accepts single strength (1/16 in.) or double strength (1/8 in.) glass or plexiglass, can be miter or square-cut.

	Length	Pieces per Ctn.	Finish
<b>PL 14164</b>	94 in.	12	Mill
<b>PL 14166</b>	94 in.	12	White
<b>PL 14167</b>	12 ft. 2 in.	50	Mill



### Glazing Channel

Qty: 1 roll per carton.

Flexible extruded gray vinyl, easily trimmed to size, used with aluminum window frame to cushion and insulate the glass, accepts single strength (3/32 in.) glass or plexiglass.

**P 7735** (200 ft.)

**P 7736** (1,000 ft.)

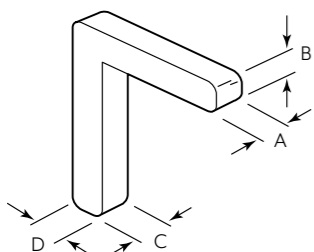


### Glazing Channel

Qty: 200 ft., 1 roll per carton.

Flexible extruded gray vinyl, easily trimmed to size, used with aluminum window frame to cushion and insulate the glass, accepts double strength (1/8 in.) glass or plexiglass.

**P 7744**



Note: Fractional measurements are nominal only, decimal are actual dimensions.

### Corner Key

Plastic, non-handed, fits left or right side.

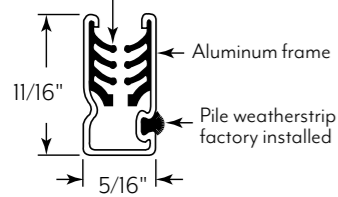
**PL 14964** (20 per tub)

"A"	"B"	"C"	"D"
.185	.190	.185	.190
3/16 in.	3/16 in.	3/16 in.	3/16 in.



## Universal "C" Sash & Corners

Pre-installed vinyl seal  
Accepts single or double  
strength glass or acrylic



### Universal "C" Sash

Qty: 12 pieces per carton.

72 in., frame combines roll-formed aluminum, pile weatherstrip and vinyl glass seal, for interior or exterior use, accepts single or double strength glass or plexiglass.

**PL 14179** (White)



### Corner

Qty: 20 per tub.

Aluminum, miter cut, for universal window "C" sash window frame.

**PL 14327** (Mill)



### Corner

Qty: 20 per tub.

Plastic, square cut, for universal window "C" sash.

**PL 14323** (White)



### Corner

Qty: 20 per tub.

Plastic, square cut, for 3/8 in. window frame.

**PL 14312** (Gray) **PL 14313** (Bronze) **PL 14314** (White)



### Corner

Plastic, square cut, for 5/8 in. x 1/4 in. frame.

**PL 14335** (Gray - Qty. 20 per tub)

**PL 14336** (White - Qty. 20 per tub)

**PL 14339** (White - Qty. 100 per box)



### Corner

Qty: 20 per tub.

Plastic, miter cut, for 3/4 in. x 7/16 in. frame, fits Pella® window screens.

**PL 15759** (Champagne / Tan) **PL 15766** (Cream)

**PL 15767** (Bronze)



### Corner

Qty: 20 per tub.

Plastic, miter cut, for 3/4 in. x 7/16 in. frame, fits Andersen® window screens.

**PL 15756** (Sandstone) **PL 15758** (White)

**PL 15757** (Terrastone)



### Screen Door Corner

Qty: 20 per box.

Plastic, outside miter cut, 1 in. x 15/32 in. x 3-1/8 in., for Andersen® hinged screen doors.

**PL 16124** (White)



### Wicket

Qty: 1, with fasteners per box, 10 boxes per carton.

Plastic, can to be used on casement and awning style inside installed window screens, allows access to the window latch, locking latch, pull tab and top hinge.

**PL 14698** (Gray)

**PL 14699** (Bronze)

**PL 14700** (White)

**PL 14695** (Black)

## Retainer Spline



### Retainer Spline

Flexible extruded vinyl, 32 point hollow core, serrated, for aluminum and fiberglass screening.

Size/ Decimal	25 ft. Poly-bagged 10 Bags per carton		Bulk (1 Reel per Crn.)						Approx. ft. per 15 lb. roll
	Black	Gray	250 ft.		500 ft.		15 lbs.		
			Black	Gray	Black	Gray	Black	Gray	
.090	—	—	—	—	—	—	—	—	2777
.120 - 1/8 in.	<a href="#">P 7516</a>	<a href="#">P 7630</a>	<a href="#">P 7551</a>	<a href="#">P 7649</a>	<a href="#">P 7552</a>	<a href="#">P 7650</a>	<a href="#">P 7553</a>	<a href="#">P 7651</a>	2670
.125 - 1/4 in.	—	—	<a href="#">P 7605</a>	—	—	—	—	—	—
.130	<a href="#">P 7517</a>	—	<a href="#">P 7555</a>	—	<a href="#">P 7556</a>	<a href="#">P 7654</a>	<a href="#">P 7557</a>	<a href="#">P 7655</a>	2400
.140 - 9/64 in.	<a href="#">P 7519</a>	<a href="#">P 7633</a>	<a href="#">P 7563</a>	<a href="#">P 7661</a>	<a href="#">P 7564</a>	<a href="#">P 7662</a>	<a href="#">P 7565</a>	—	1920
.145	—	—	—	—	—	—	<a href="#">P 8446</a>	—	1990
.150	<a href="#">P 7533</a>	—	<a href="#">P 7613</a>	—	<a href="#">P 7614</a>	—	<a href="#">P 7615</a>	—	1815
.155 - 5/32 in.	<a href="#">P 7520</a>	<a href="#">P 7635</a>	<a href="#">P 7567</a>	<a href="#">P 7669</a>	<a href="#">P 7568</a>	<a href="#">P 7670</a>	<a href="#">P 7569</a>	—	1710
.160	—	—	—	—	—	—	<a href="#">P 8727</a>	—	1560
.165 - 11/64 in.	<a href="#">P 7521</a>	<a href="#">P 7636</a>	<a href="#">P 7571</a>	<a href="#">P 7673</a>	<a href="#">P 7572</a>	<a href="#">P 7674</a>	<a href="#">P 7573</a>	—	1500
.170	<a href="#">P 7522</a>	—	—	—	—	—	<a href="#">P 7577</a>	<a href="#">P 7679</a>	1400
.175	<a href="#">P 7523</a>	<a href="#">P 7638</a>	—	—	<a href="#">P 7580</a>	<a href="#">P 7682</a>	<a href="#">P 7581</a>	<a href="#">P 7683</a>	1320
.180	<a href="#">P 7524</a>	—	<a href="#">P 7583</a>	—	—	—	<a href="#">P 7585</a>	—	1200
.185 - 3/16 in.	<a href="#">P 7940</a>	<a href="#">P 7941</a>	<a href="#">P 7944</a>	<a href="#">P 7945</a>	<a href="#">P 7946</a>	<a href="#">P 7947</a>	<a href="#">P 7948</a>	—	1140
.190	<a href="#">P 7525</a>	—	—	—	—	—	—	<a href="#">P 7691</a>	1095
.195	<a href="#">P 7950</a>	—	<a href="#">P 7954</a>	—	—	—	<a href="#">P 7958</a>	—	1005
.200 - 13/64 in.	—	<a href="#">P 7641</a>	—	—	—	—	<a href="#">P 7593</a>	—	990
.210 - 7/32 in.	<a href="#">P 7527</a>	<a href="#">P 7642</a>	<a href="#">P 7595</a>	<a href="#">P 7697</a>	—	—	<a href="#">P 7596</a>	—	915
.220	<a href="#">P 7528</a>	—	<a href="#">P 7598</a>	—	—	—	<a href="#">P 7599</a>	<a href="#">P 7703</a>	855
.225	<a href="#">P 7970</a>	—	—	—	—	—	<a href="#">P 7978</a>	—	800
.230 - 15/64 in.	<a href="#">P 7529</a>	<a href="#">P 7644</a>	<a href="#">P 7601</a>	<a href="#">P 7705</a>	—	—	<a href="#">P 7602</a>	—	780
.240	—	—	—	—	—	—	—	—	712
.250 - 1/4 in.	<a href="#">P 7530</a>	<a href="#">P 7645</a>	<a href="#">P 7604</a>	<a href="#">P 7709</a>	—	—	—	<a href="#">P 7711</a>	675

**RP** = Retail Package Available

Order full cartons only | 6 cards per carton | 1 tub or box per carton



### Foam Spline

Qty: (1) 500 ft. reel per carton.

Flexible foam core, smooth finish.

\* .190 sized foam spline is for use with a 7/8 in. x 5/16 in. extruded frame

\*\* .270 sized foam spline is an excellent and easy to install substitute for metal spline

	Size/Decimal		Size/Decimal
<a href="#">P 8121</a>	.120	<a href="#">P 8328</a>	.190*
<a href="#">P 8123</a>	.145	<a href="#">P 8129</a>	.200
<a href="#">P 8125</a>	.160	<a href="#">P 8131</a>	.225
<a href="#">P 8465</a>	.165	<a href="#">P 8133</a>	.250
<a href="#">P 8485</a>	.175	<a href="#">P 8135</a>	.270**
<a href="#">P 8127</a>	.180		



### Rigid Spline

Qty: 25 per carton.

Rigid, 80 in., fits Forever® & Emco Andersen® brand doors.

[P 8167](#) (Black)



### Multi-Spline

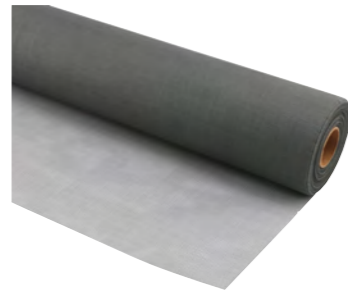
Qty: 1 set per bag, 10 bags per carton.

20 ft., flexible vinyl, 3 sizes in one - .120, .145 & .165 sizes.

[P 8164](#) (Black)



## Screen Cloth & Repair Patches



### Screen Cloth

Qty: 1 per carton.  
Fiberglass.

	Width	Finish	Cloth Weight
<a href="#">PL 15829</a>	36 in.	Charcoal	Standard
<a href="#">PL 15833</a>	48 in.	Charcoal	Standard



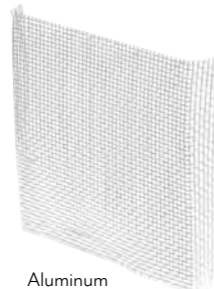
### Screen Cloth Kit

Qty: 1 set per bag, 10 bags per pack.  
Fiberglass cloth, plastic rolling tool, vinyl spline (30 ft.).

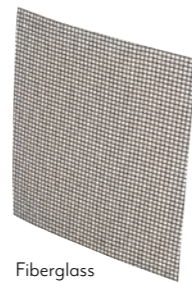
	Cloth Size	Spline size	Retail Package
<a href="#">P 7511</a>	36 in. x 84 in.	.180	Yes
<a href="#">P 7541</a>	48 in. x 84 in.	.180	Yes
<a href="#">P 7515</a>	36 in. x 84 in.	.155	Yes
<a href="#">P 7542</a>	48 in. x 84 in.	.155	Yes



How-To Video: Re-screening with fiberglass cloth



Aluminum

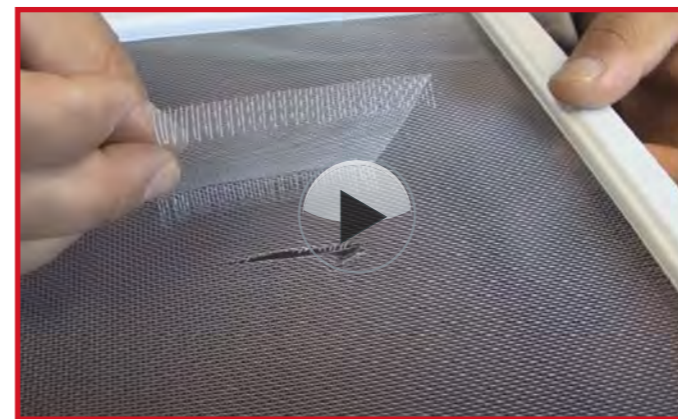


Fiberglass

### Screen Repair Patches

Qty: 5 per card, 10 cards per carton.  
3 in. x 3 in. screen patch, repair minor holes and tears in screens.

	Patch material	Finish	Retail Package
<a href="#">P 8098</a>	Aluminum	Aluminum	Yes
<a href="#">P 7549</a>	Aluminum	Charcoal	Yes
<a href="#">P 8095</a>	Self adhesive fiberglass	Gray	Yes
<a href="#">P 8096</a>	Self adhesive fiberglass	Charcoal	Yes



How-To Video: Repairing holes in your window screen



### Flat Screen Spline

Qty: 500 ft., 1 roll per carton.

Black vinyl, flat bottom and curved top edge, easily trimmed to size, .344 wide.

[P 8091](#)



### Flat Screen Spline

Qty: 1 roll per carton.

Black vinyl, flat bottom and curved top edge, easily trimmed to size, .315 wide.

[P 8336](#) (25 ft.)    [P 7845](#) (500 ft.)  
[P 7843](#) (100 ft.)    [P 7846](#) (1000 ft.)



### Glazing Channel

Qty: 750 ft., 1 roll per carton.

Flexible extruded black vinyl, easily trimmed to size, used with aluminum window frame to cushion and insulate the glass, accepts single strength (3/32 in.) glass or plexiglass.

[P 7836](#)



### Glazing Channel

Qty: 750 ft., 1 roll per carton.

Flexible extruded black vinyl, easily trimmed to size, used with aluminum window frame to cushion and insulate the glass, accepts double strength (1/8 in.) glass or plexiglass.

[P 7837](#)



### Glazing Channel

Qty: 200 ft., 1 roll per carton.

Flexible extruded gray vinyl, easily trimmed to size, used with aluminum window frame to cushion and insulate the glass, accepts single strength (3/32 in.) glass or plexiglass.

[P 7732](#)

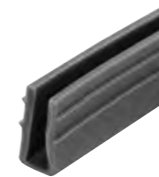


### Glazing Channel

Qty: 1 roll per carton.

Flexible extruded gray vinyl, easily trimmed to size, used with aluminum window frame to cushion and insulate the glass, accepts single strength (3/32 in.) glass or plexiglass.

[P 7735](#) (200 ft.)    [P 7736](#) (1,000 ft.)

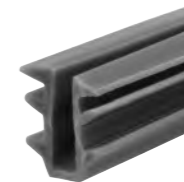


### Glazing Channel

Qty: 200 ft., 1 roll per carton.

Flexible extruded gray vinyl, easily trimmed to size, used with aluminum window frame to cushion and insulate the glass, accepts single strength (3/32 in.) glass or plexiglass.

[P 7738](#)

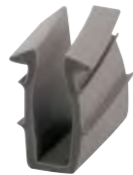


### Glazing Channel

Qty: 200 ft., 1 roll per carton.

Flexible extruded gray vinyl, easily trimmed to size, used with aluminum window frame to cushion and insulate the glass, accepts single strength (3/32 in.) glass or plexiglass.

[P 7741](#)



### Glazing Channel

Qty: 200 ft., 1 roll per carton.

Flexible extruded gray vinyl, easily trimmed to size, used with aluminum window frame to cushion and insulate the glass, accepts double strength (1/8 in.) glass or plexiglass.

[P 7744](#)

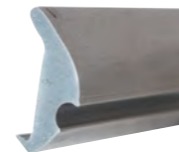


### Glazing Spline

Qty: 200 ft., 1 roll per carton.

Flexible extruded gray vinyl, easily trimmed to size, used on aluminum windows between the glass and outer channel.

[P 7795](#)



### Glazing Spline

Qty: 200 ft., 1 roll per carton.

Flexible extruded gray vinyl, easily trimmed to size, used on aluminum windows between the glass and outer channel.

[P 7771](#)

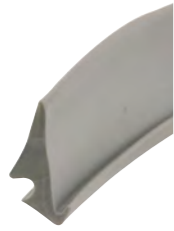


### Glazing Spline

Qty: 200 ft., 1 roll per carton.

Flexible extruded gray vinyl, easily trimmed to size, used on aluminum windows between the glass and outer channel.

[P 7774](#)

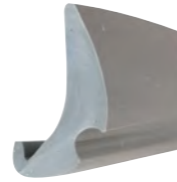


**Glazing Spline**

Qty: 200 ft., 1 roll per carton.

Flexible extruded gray vinyl, easily trimmed to size, used on aluminum windows between the glass and outer channel.

[P 7768](#)

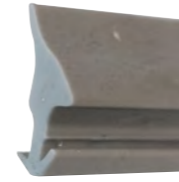


**Glazing Spline**

Qty: 200 ft., 1 roll per carton.

Flexible extruded gray vinyl, easily trimmed to size, used on aluminum windows between the glass and outer channel.

[P 7777](#)



**Glazing Spline**

Qty: 200 ft., 1 roll per carton.

Flexible extruded gray vinyl, easily trimmed to size, used on aluminum windows between the glass and outer channel.

[P 7786](#)



**Glazing Spline**

Qty: 200 ft., 1 roll per carton.

Flexible extruded gray vinyl, easily trimmed to size, used on aluminum windows between the glass and outer channel.

[P 7792](#)

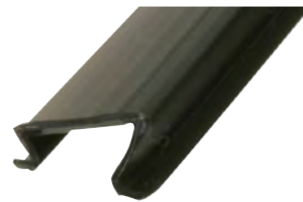


**Rigid Vinyl**

Qty: 25 pieces per carton.

Rigid extruded vinyl, 72 in., snap-in, easily trimmed to size, used on aluminum windows between the glass and outer channel.

[P 8047](#) (Gray)    [P 7861](#) (White)  
[P 7810](#) (Black)    [P 8205](#) (Brown)



**Rigid Vinyl**

Qty: 25 pieces per carton.

Rigid extruded black vinyl, 72 in., snap-in, easily trimmed to size, used on aluminum windows between the glass and outer channel.

[P 7813](#)



**Rigid Vinyl**

Qty: 25 pieces per carton.

Rigid extruded vinyl, 72 in., snap-in, easily trimmed to size, used on aluminum windows between the glass and outer channel.

[P 7815](#) (Black)    [P 7866](#) (White)



**Rigid Vinyl**

Qty: 25 pieces per carton.

Rigid extruded vinyl, 72 in., snap-in, easily trimmed to size, used on aluminum windows between the glass and outer channel.

[P 8053](#) (Gray)    [P 7816](#) (Black)    [P 7867](#) (White)



**Rigid Vinyl**

Qty: 25 pieces per carton.

Rigid extruded vinyl, 72 in., snap-in, easily trimmed to size, used on aluminum windows between the glass and outer channel.

[P 7872](#) (Gray)    [P 7873](#) (White)

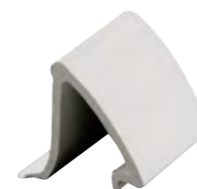


**Rigid Vinyl**

Qty: 25 pieces per carton.

Rigid extruded white vinyl, 72 in., snap-in, easily trimmed to size, used on aluminum windows between the glass and outer channel.

[P 7851](#)



**Rigid Vinyl**

Qty: 25 pieces per carton.

Rigid extruded white vinyl, 72 in., snap-in, easily trimmed to size, used on aluminum windows between the glass and outer channel.

[P 7853](#)

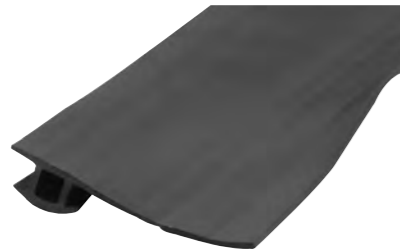


**Rigid Vinyl**

Qty: 25 pieces per carton.

Rigid extruded white vinyl, 72 in., snap-in, easily trimmed to size, used on aluminum windows between the glass and outer channel.

[P 8211](#)



**Bug Seal**

Qty: 10 per carton.

Black flexible vinyl, 84 in., adjustable width from 7/8 in. to 1-3/8 in., press-in fit, seals off the gap between the sliding screen door and the patio glass door to protect from insects.

**PL 14696**



**Storm Door Bottom Sweep**

Qty: 10 per carton.

Gray flexible vinyl, 37 in., 9/16 in high, "T" style, used as a bottom seal on storm doors to help prevent air infiltration.

**T 8680**



**Storm Door Bottom Sweep**

Qty: 10 per carton.

Gray flexible vinyl, 37 in., 3/8 in high, "V" shape, used as a bottom seal on storm doors to help prevent air infiltration.

**T 8681**



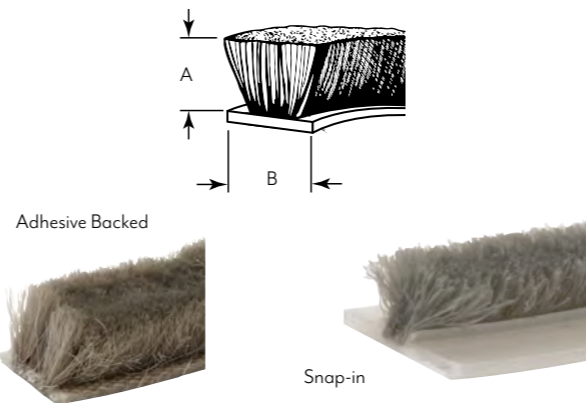
**Threshold Insert**

Qty: 6 per carton.

Gray vinyl, 36 in long, snap-in style.

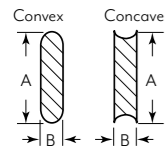
**T 8707**

"A" Height	"B" Width	Installs	Color	18 ft. (10 per Ctn.)	100 ft. (1 per Ctn.)
.150	1/4 in.	Adhesive backed	Gray	<b>T 8722</b>	<b>P 8225</b>
1/4 in.	3/8 in.	Adhesive backed	Gray	<b>T 8752</b>	—
1/4 in.	3/8 in.	Adhesive backed	White	<b>T 8751</b>	—
3/8 in.	3/8 in.	Adhesive backed	Gray	<b>T 8754</b>	—
.156	3/16 in.	Snap-in	Gray	<b>T 8658</b>	<b>P 7823</b>
.160	1/4 in.	Snap-in	Gray	<b>T 8659</b>	<b>P 7827</b>



**Pile Weatherstrip**

Dual fin barrier protection, woven pile material, helps seal out insects, weather and noise.



**Rolling Tool**

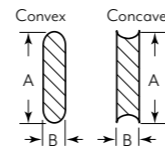
Qty: 1

Plastic handle and wheels.

**P 7503**

Convex Wheel		Concave Wheel		For Spline Size
"A"	"B"	"A"	"B"	
1-5/8 in.	3/32 in.	1-5/8 in.	3/32 in.	.115 - .165

**RP** = Retail Package Available



**Rolling Tool**

Qty: 1

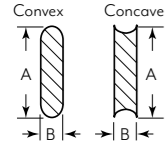
Wood handle, steel wheels.

**P 7505**

Convex Wheel		Concave Wheel		For Spline Size
"A"	"B"	"A"	"B"	
1-5/16 in.	3/32 in.	1-5/16 in.	3/32 in.	.115 - .165

Order full cartons only | 6 cards per carton | 1 tub or box per carton





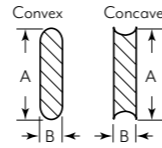
**Rolling Tool**

Qty: 1

Wood handle, steel ball bearing wheels.

Convex Wheel		Concave Wheel		For Spline Size
"A"	"B"	"A"	"B"	
1-1/2 in.	3/32 in.	1-1/2 in.	1/8 in.	.130 - .180

**P7508**



**Rolling Tool**

Qty: 1

Wood handle.



Convex Wheel		Concave Wheel		Wheel	For Spline Size
"A"	"B"	"A"	"B"		
2-1/2 in.	1/16 in.	2 in.	1/8 in.	Plastic ball bearing	.150 - .180
2-1/2 in.	1/16 in.	2 in.	3/32 in.	Plastic ball bearing	.115 - .165
2-1/2 in.	1/16 in.	2 in.	1/8 in.	Steel ball bearing	.150 - .180
2-1/2 in.	1/16 in.	2 in.	3/32 in.	Steel ball bearing	.115 - .165

**P7720**

**P8058**

**P7629**

**P8059**



**Rolling Tool**

Qty: 1

Wood handle, steel ball bearing wheel.

O.D.	Width
2 in.	2 in.

**P7908**



**Screen Shears**

Qty: 1

10 in. blades, moly steel edge, use for fiberglass or aluminum screen.

**P8062**



**Screen Frame Notching Jig**

Qty: 1

Slotted wood frame & base, notching tool, step drill bit, allows frame to be securely held while being notched, holds 1/4 in., 5/16 in., 3/8 in., 7/16 in., and 1/2 in. screen frame.

**P7916**



**Screen Frame Notching Tool**

Qty: 1

Wood handle with steel tip, notches frame for slide locks, tension springs and knife latches.

**P7920**



**Step Drill Bit**

Qty: 1 per package, 10 packages per box.

1/8 in. O.D. starter tip and then steps up to a 7/32 in. O.D., used for drilling the correct sized holes for installation of plunger latches.

**P7922**



**Corner Key Crimp Tool**

Qty: 1

Spikes align with dimples to crimp frame onto corners.

**P8420** (Zinc)



**Saw Blade**

Qty: 1

Semi-high speed, 1/16 in. thick carbon steel with type "A" teeth, 5/8 in. arbor for use on 10 in. bench, radial arm and chop saws.

**P7929** (200 Teeth)

**P7930** (250 Teeth)



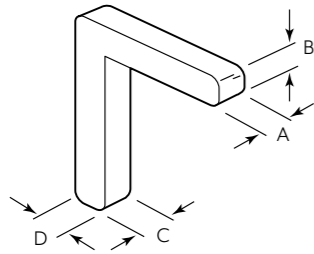
**Saw Wax**

Qty: 1

16 oz., lubricant for use on semi-high speed saw blades, results in a smooth and quick cut, adding longer life to the cutting teeth and helps eliminate burring.

**P7931**

## Corner & Tilt Keys



Note: Fractional measurements are nominal only, decimal are actual dimensions.



**Corner Key**

Plastic, non-handed, fits left or right side.

**PL 14954** (20 per tub)

"A"	"B"	"C"	"D"
.190	.236	.190	.236
5/32 in.	1/4 in.	5/32 in.	1/4 in.



**Corner Key**

Plastic, non-handed, fits left or right side.

**PL 14964** (20 per tub)

"A"	"B"	"C"	"D"
.185	.190	.185	.190
3/16 in.	3/16 in.	3/16 in.	3/16 in.



**Corner Key**

Plastic, non-handed, fits left or right side.

**PL 14966** (20 per tub)

"A"	"B"	"C"	"D"
.238	.202	.238	.202
7/32 in.	7/32 in.	7/32 in.	7/32 in.



**Corner Key**

Qty: 20 per tub.

Aluminum, non-handed, fits left or right side.

**PL 15030**

"A"	"B"	"C"	"D"
.185	.189	.185	.189
3/16 in.	3/16 in.	3/16 in.	3/16 in.

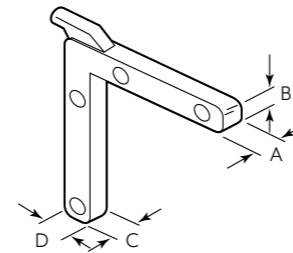


**Corner Key**

Diecast, non-handed, fits left or right side.

**PL 15052** (20 per tub)

"A"	"B"	"C"	"D"
.198	.197	.198	.197
3/16 in.	3/16 in.	3/16 in.	3/16 in.



Note: Fractional measurements are nominal only, decimal are actual dimensions.



**Tilt Key**

Plastic, non-handed, fits left or right side.

**PL 15130** (20 per tub)

"A"	"B"	"C"	"D"
.180	.202	.180	.202
3/16 in.	3/16 in.	3/16 in.	3/16 in.



**Tilt Key**

Plastic, non-handed, fits left or right side.

**PL 15144** (20 per tub)

"A"	"B"	"C"	"D"
.230	.208	.230	.208
7/32 in.	7/32 in.	7/32 in.	7/32 in.



**Tilt Key**

Plastic, non-handed, fits left or right side.

**PL 15150** (20 per tub)

"A"	"B"	"C"	"D"
.160	.185	.160	.185
3/16 in.	3/16 in.	3/16 in.	3/16 in.



**Tilt Key**

Plastic, non-handed, fits left or right side.

**PL 14997** (20 per tub)

"A"	"B"	"C"	"D"
.174	.188	.174	.188
11/64 in.	3/16 in.	11/64 in.	3/16 in.

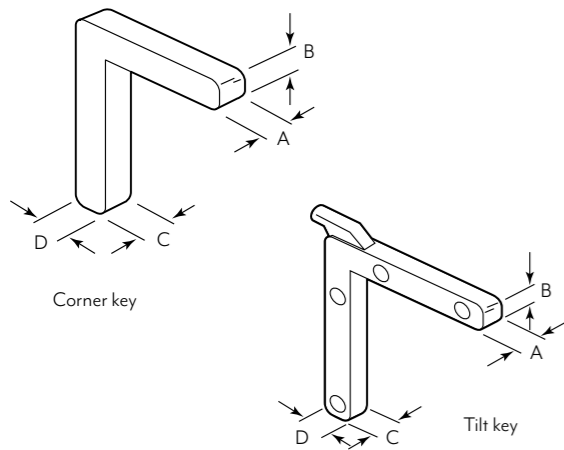


**Tilt Key**

Diecast, non-handed, fits left or right side.

**PL 15228** (20 per tub)

"A"	"B"	"C"	"D"
.200	.195	.200	.195
3/16 in.	3/16 in.	3/16 in.	3/16 in.



Note: Fractional measurements are nominal only, decimal are actual dimensions.



**Corner & Tilt Key**

Qty: 2 pairs per package, 6 packages per box.  
Plastic, non-handed, fits left or right side.

**T 8687**

Corner Key			
"A"	"B"	"C"	"D"
.180	.185	.180	.185
3/16 in.	3/16 in.	3/16 in.	3/16 in.

Tilt Key			
"A"	"B"	"C"	"D"
.178	.176	.178	.178
3/16 in.	3/16 in.	3/16 in.	3/16 in.



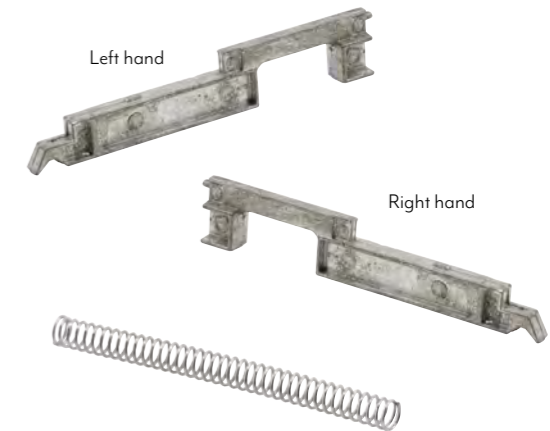
**Corner & Tilt Key**

Qty: 2 pairs per package, 6 packages per box.  
Diecast, non-handed, fits left or right side.

**T 8689**

Corner Key			
"A"	"B"	"C"	"D"
.172	.176	.172	.176
3/16 in.	3/16 in.	3/16 in.	3/16 in.

Tilt Key			
"A"	"B"	"C"	"D"
.190	.184	.190	.184
3/16 in.	5/32 in.	3/16 in.	5/32 in.

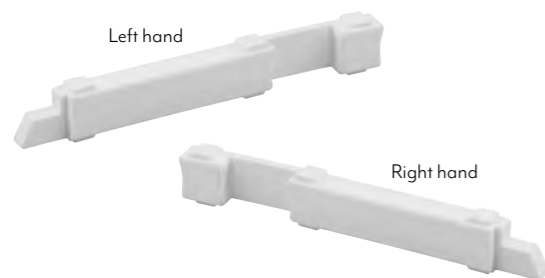


**Slide Bolt & Spring**

Qty: 1 left hand and 1 right hand slide bolt, 2 springs,  
6 packages per box.

Diecast slide bolt, handed, plated steel spring.

**T 8690**

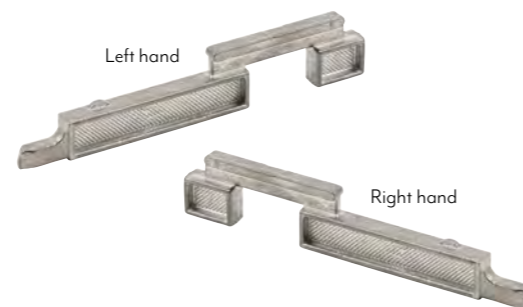


**Slide Bolt**

Plastic, handed.

**PL 15322** (Left hand – Qty. 20 per tub)

**PL 15324** (Right hand – Qty. 20 per tub)

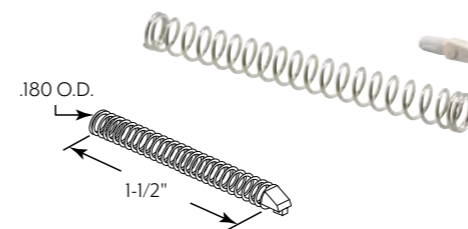


**Slide Bolt**

Diecast, handed.

**PL 15492** (Left hand – Qty. 20 per tub)

**PL 15494** (Right hand – Qty. 20 per tub)



**Slide Bolt Spring**

Plated steel spring, with plastic retainer, provides tension to secure the tips of the slide bolt into the window frame.

**PL 14893** (20 per tub)



How-To Video: Replace slide bolts in a storm window

## Clips



### Awning Window Stretch Clip

Qty: 12 clips, with fasteners.

Stamped aluminum, used with 5/16 in. x 3/4 in. screen frame.

[PL 7971](#)

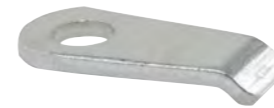


### Awning Window Stretch Clip

Qty: 12 pieces, with fasteners.

Stamped aluminum, used with 3/8 in. x 3/4 in. screen frame.

[PL 7972](#)



### Screen Clip

Qty: 1000 clips per polybag.

Stamped aluminum.

[PL 16401](#)

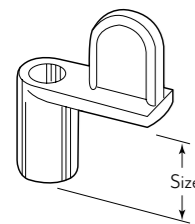
### Screen Clip

Diecast, plated zinc.

Size	Pack Qty.	Retail Package	With Fasteners	Mill	Black	White	Bronze
Flush	12 per card	Yes	Yes	<a href="#">PL 7730</a>	—	—	—
Flush	100 per tub	No	No	<b>PL 14404</b>	<b>PL 14405</b>	<b>PL 14406</b>	—
1/16 in.	12 per card	Yes	Yes	<a href="#">PL 7731</a>	—	—	—
1/16 in.	100 per tub	No	No	<b>PL 14416</b>	—	<b>PL 14418</b>	<b>PL 14419</b>
3/16 in.	100 per tub	No	No	<b>PL 14440</b>	—	—	—
1/4 in.	100 per tub	No	No	—	<b>PL 14453</b>	<b>PL 14454</b>	—
5/16 in.	12 per card	Yes	Yes	<a href="#">PL 7735</a>	—	<a href="#">PL 7893</a>	<a href="#">PL 7894</a>
5/16 in.	100 per tub	No	No	<b>PL 14464</b>	<b>PL 14465</b>	<b>PL 14466</b>	<b>PL 14467</b>
3/8 in.	12 per card	Yes	Yes	<a href="#">PL 7736</a>	—	—	<a href="#">PL 7897</a>
3/8 in.	100 per tub	No	No	<b>PL 14476</b>	<b>PL 14477</b>	<b>PL 14478</b>	—
7/16 in.	12 per card	Yes	Yes	<a href="#">PL 7737</a>	<a href="#">PL 7844</a>	—	<a href="#">PL 7900</a>
7/16 in.	25 per tub	No	Yes	—	<a href="#">PL 14485</a>	—	—
7/16 in.	100 per tub	No	No	<b>PL 14488</b>	<b>PL 14489</b>	<b>PL 14490</b>	<b>PL 14491</b>
7/16 in.	1,000 per ctn.	No	No	—	—	<b>PL 14494</b>	—
1-3/16 in.	100 per box	No	No	—	—	<b>PL 14502</b>	—



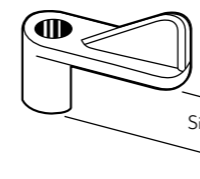
Flush



Size



Flush



Size

### Screen Clip

Plastic.

Size	Pack Qty.	Retail Package	With Fasteners	Gray	Black	White
Flush	12 per card	Yes	Yes	—	<a href="#">PL 7906</a>	<a href="#">PL 7738</a>
Flush	25 per tub	No	Yes	—	—	<a href="#">PL 14518</a>
Flush	100 per tub	No	No	—	<b>PL 14521</b>	<b>PL 14522</b>
Flush	1,000 per ctn.	No	No	—	—	<b>PL 14526</b>
1/16 in.	12 per card	Yes	Yes	<a href="#">PL 7739</a>	—	<a href="#">PL 7909</a>
1/16 in.	25 per tub	No	Yes	—	—	<a href="#">PL 14530</a>
1/16 in.	100 per tub	No	No	<b>PL 14532</b>	—	<b>PL 14534</b>
3/16 in.	100 per tub	No	No	<b>PL 14544</b>	—	—
5/16 in.	12 per card	Yes	Yes	<a href="#">PL 7741</a>	—	<a href="#">PL 7773</a>
5/16 in.	100 per tub	No	No	<b>PL 14568</b>	<b>PL 14569</b>	<b>PL 14570</b>
3/8 in.	12 per card	Yes	Yes	—	—	<a href="#">PL 7774</a>
3/8 in.	100 per tub	No	No	<b>PL 14580</b>	—	<b>PL 14582</b>
7/16 in.	12 per card	Yes	Yes	<a href="#">PL 7743</a>	—	<a href="#">PL 7775</a>
7/16 in.	100 per tub	No	No	—	<b>PL 14593</b>	<b>PL 14594</b>
1-3/16 in.	25 per tub	No	Yes	—	<a href="#">PL 16544</a>	—





**Rams Horn Clip**

Spring steel, used to secure half screens to openings.

[PL 14853](#) (Qty. 50 per tub)    [PL 14854](#) (Qty. 250 per tub)



**Sash Window Glazing Clip**

Qty: 50 per tub.  
Spring steel, used for securing glass panes prior to glazing.

[PL 14856](#)



**Panel Clip**

Qty: 100 per tub.  
White plastic, flush offset.

[PL 14616](#)



**Panel Clip**

White plastic, 1/16 in. offset.  
[PL 7919](#) (Qty. 8 per card, with fasteners)  
[PL 14634](#) (Qty. 25 per tub, with fasteners)  
[PL 14636](#) (Qty. 1,000 per carton)



**Panel Clip**

Clear plastic, 1/32 in. offset.  
[T 8733](#) (Qty. 8 per card, with fasteners)  
[PL 15750-A](#) (Qty. 25 per tub)  
[PL 15752](#) (Qty. 1,000 per ctn.)



**Turn Button**

White plastic, 9/16 in. reach.  
[PL 7920](#) (Qty. 12 per card, with fasteners)  
[PL 14638](#) (Qty. 100 per tub)



**Retainer Clip**

Qty: 1 set contains 1 top and 1 bottom clip.  
Black plastic, top and bottom clips, for 7/16 in. screen frame, requires no fasteners.  
[PL 7765](#) (Qty. 4 sets per card)  
[PL 14633](#) (Qty. 100 sets per box)



**Retainer Clip**

Qty: 100 per box.  
Spring steel, for 3/8 in. screen frame, requires no fasteners.  
[PL 15541](#) (Mill)



**Retainer Clip**

Qty: 100 per box.  
Plastic, for 3/8 in. and 7/16 in. screen frame, requires no fasteners.  
[PL 15545](#) (Black)



**Spline Channel Pull Tab**

Qty: 100 per box.  
Stamped aluminum, requires no fasteners.  
[PL 15551](#)



**Spline Channel Pull Tab**

Qty: 25 per tub.  
Stamped aluminum, for 3/8 in. and 7/16 in. screen frame, requires no fasteners.  
[PL 16008](#)



**Spline Channel Pull Tab**

Qty: 25 per tub.  
Plastic, requires no fasteners.  
[PL 15753](#) (Black)    [PL 16450](#) (White)



### Spline Channel Pull Tab

Plastic, requires no fasteners.

Pack Qty.	Retail Package	Black	White
6 per card	Yes	<a href="#">PL 7921</a>	<a href="#">PL 7756</a>
25 per tub	No	<a href="#">PL 14621</a>	<a href="#">PL 14618</a>
100 per tub	No	<a href="#">PL 14622</a>	<a href="#">PL 14619</a>



### Flat Spring

Heat treated spring steel, corner mount, adds tension that secures the screen frame.

- PL 16440** (3/16 in. wide – Qty. 25 per tub)
- PL 16482** (3/16 in. wide – Qty. 1,000 per ctn.)
- PL 7776** (1/4 in. wide – Qty. 6 per card)
- PL 14630** (1/4 in. wide – Qty. 25 per tub)
- PL 14631** (1/4 in. wide – Qty. 100 per tub)
- PL 15554** (1/4 in. wide – Qty. 1,000 per ctn.)



### Flat Spring (Standard Arch)

Heat treated steel spring, standard arch half moon design, 2-7/8 in. length, 3/16 in. wide, adds tension that secures the screen frame.

- PL 7758** (Qty. 6 per card)



### Flat Spring (High Arch)

Heat treated steel spring, high arch/high tension half moon design, 2-3/4 in. length, 1/4 in. wide, adds tension that secures the screen frame.

- PL 14624** (Qty. 25 per tub)
- PL 14625** (Qty. 100 per tub)



### Wire Spring

Qty: 100 per tub.  
Spring steel wire.

- PL 14627**



### Bottom Latch Spring

Qty: 1000 per box.  
Stainless steel with loop end, aluminum nail, used to hold bottom of aluminum window screen frames to wood window sill.

- PL 14746** (1-3/16 in.)



### Hangers and Latch

Qty: 4 hangers, 2 latches, with fasteners.  
Stamped aluminum, for 7/16 in. screen frame.

- PL 7760** (Mill)



### Hangers and Latch

Qty: 4 hangers, 2 latches, with fasteners.  
Stamped aluminum, for 7/16 in. screen frame.

- PL 7846** (Bronze)
- PL 7847** (White)



### Hangers and Latch

Qty: 1 set, with fasteners per card.  
Stamped aluminum.

For Frame Size	Retail Package	Mill	Bronze	White
5/16 in.	Yes	—	<a href="#">PL 8132</a>	—
3/8 in.	Yes	<a href="#">PL 8101</a>	<a href="#">PL 8102</a>	<a href="#">PL 8103</a>



### Hangers

Qty: 6 hangers, with fasteners.  
Stamped aluminum.

- PL 7845** (Bronze – For 7/16 in. frame)
- PL 8106** (White – For 3/8 in. frame)



### Latch

Stamped aluminum, slip-on.

- PL 7768** (Qty. 4 per card, with fasteners)
- PL 14658** (Qty. 25 per tub, with fasteners)
- PL 14659** (Qty. 100 per tub)

## Latches



### Latch

Stamped aluminum, slip-on, for 7/16 in. screen frame.

**PL 7762** (Mill – Qty. 4 per card, with fasteners)

**PL 14656** (Mill – Qty. 25 per tub, with fasteners)

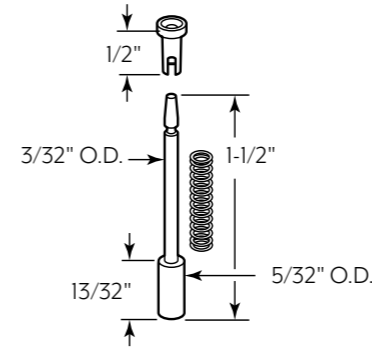


### Latch

Qty: 25, with fasteners per tub.

Stamped aluminum, slip-on, for 7/16 in. screen frame.

**PL 15571** (White)

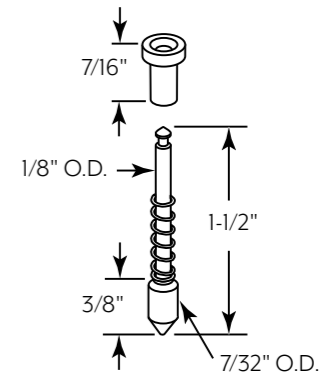


### Plunger Latch

Plastic, spring loaded, snap-on style, for 1/4 in. or 5/16 in. x 3/4 in. frame.

**PL 14663** (Qty. 25 per tub)

**PL 14664** (Qty. 100 per tub)



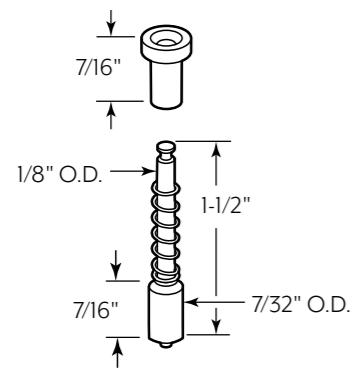
### Plunger Latch

Plastic, spring loaded, snap-on style, for 3/8 in. or 7/16 in. x 3/4 in. frame.

**PL 7777** (Qty. 6 per card)

**PL 14667** (Qty. 100 per tub)

**PL 14666** (Qty. 25 per tub)



### Plunger Latch

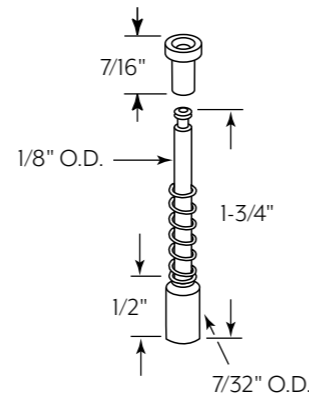
Diecast bolt, plastic cap, spring loaded, snap-on style, for 3/8 in. or 7/16 in. x 3/4 in. frame.

**PL 7925** (Qty. 6 per card)

**PL 14660** (Qty. 25 per tub)

**PL 14661** (Qty. 100 per tub)

**PL 14661PB** (Qty. 100 per polybag)

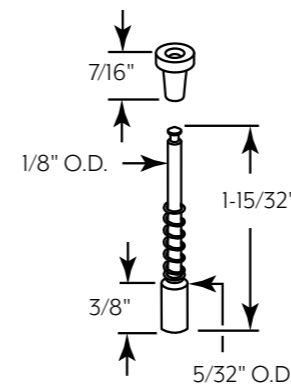


### Plunger Latch

Qty: 100 per tub.

Diecast bolt, plastic cap, spring loaded, snap-on style, for 7/16 in. x 1 in. frame.

**PL 14670**



### Plunger Latch

Qty: 100 per tub.

Aluminum bolt, plastic cap, spring loaded, snap-on style, for 5/16 in. or 3/8 in. x 3/4 in. frame.

**PL 16470**



**Knife Latch**  
Qty: 25 per tub.  
Stamped aluminum, left and right hand, used to secure aluminum screen frames in sliding window channels.  
[PL 14672](#) (Right hand – 25 per tub)  
[PL 14674](#) (Left hand – 25 per tub)



**Lock Pins**  
Qty: 100 per tub.  
Plated steel, for 1 in. frames, used to secure window screens on sliding aluminum windows.  
[PL 14679](#)



**Top Hanger**  
Qty: 2 sets, with fasteners.  
Stamped aluminum, top mount.  
[PL 8007](#)



**Window Grid Retainer**  
Clear plastic with steel pin, plastic retainer sleeve, used to secure decorative window grids in place.  
[PL 7983](#) (Qty. 6 per card) [PL 15685](#) (Qty. 25 per tub)



**Storm Door Panel Clip**  
Aluminum clip and thumbscrew, 1/4 in. offset, used for attaching a storm window or screen panel to storm door frame.  
[PL 7939](#) (Mill – Qty. 8 per card, with fasteners)  
[PL 7940](#) (White – Qty. 8 per card, with fasteners)  
[PL 14752](#) (Mill – Qty. 1000 per carton)



**Storm Door Panel Clip**  
Qty: 8 clips, with fasteners.  
Aluminum clip and thumbscrew, self-locking, used for attaching a storm window or screen panel to storm door frame.  
[PL 7947](#) (Mill – 5/16 in. depth)  
[T 8730](#) (Mill – 7/16 in. depth)  
[T 8727](#) (White – 5/16 in. depth)  
[T 8731](#) (White – 7/16 in. depth)



**Storm Door Panel Clip**  
Qty: 8 clips, with fasteners.  
Aluminum clip and thumbscrew, self-locking, used for attaching a storm window or screen panel to storm door frame.  
[PL 7949](#) (Mill)



**Storm Door Panel Clip**  
Qty: 8 clips, with fasteners.  
Aluminum clip and thumbscrew, self-locking, used for attaching a storm window or screen panel to storm door frame.  
[PL 7951](#) (Mill)



**Storm Door Panel Clip**  
Qty: 8 clips, with fasteners.  
Aluminum clip and thumbscrew, self-locking, used for attaching a storm window or screen panel to storm door frame.  
[PL 7953](#) (Mill)



**Storm Door Panel Clip**  
Qty: 8 clips, with fasteners.  
Aluminum clip and thumbscrew, self-locking, used for attaching a storm window or screen panel to storm door frame.  
[PL 7959](#) (Mill)



**Storm Door Panel Clip**  
Qty: 8 clips, with fasteners.  
Aluminum clip and thumbscrew, self-locking, used for attaching a storm window or screen panel to storm door frame.  
[PL 7957](#) (Mill)



**Storm Door Panel Clip**  
Qty: 8 clips, with fasteners.  
Aluminum clip and thumbscrew, self-locking.  
[PL 7955](#) (Mill)

## Storm Door Panel Clips, Sliding Screen Door Kits & Door Grilles



### Storm Door Panel Clip

Steel, flush offset.

**PL 7967** (Qty. 6 per card, with fasteners)

**PL 14843** (Qty. 25 per tub)

**PL 14844** (Qty. 100 per tub)

**PL 14845** (Qty. 1,000 per ctn.)

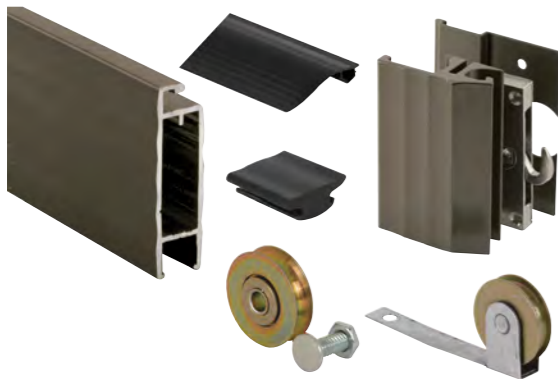


### Storm Door Panel Clip

Tempered steel, spring action, 3/8 in. depth.

**T 8500** (Qty. 4 per card, with fasteners)

**PL 15555** (Qty. 25 per tub)



### Sliding KD Screen Door Kit

Qty: 1 kit, with fasteners.

1-3/4 in. Extruded aluminum frame, pre-punched for handle and rollers, complete with all necessary rollers and hardware.

Max. Width	Max. Height	Bronze	White
37 in.	81 in.	<a href="#">PL 14371</a>	<a href="#">PL 14377</a>
49 in.	81 in.	<a href="#">PL 14372</a>	<a href="#">PL 14378</a>
37 in.	98 in.	—	<a href="#">PL 14380</a>



### Thumbscrew

Qty: 1000 per carton.

Aluminum, 8-32 thread.

**PL 14770** (Mill)

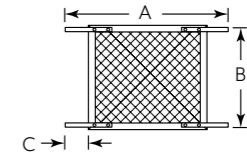


### Patio Door Track Cover

Qty: 12 per tube.

Stainless steel, trim to size, allows patio door to roll smoothly and quietly.

**PL 15576** (8 ft.)

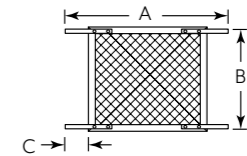


### Aluminum Door Grille

Qty: 1 per pack, 6 packs per carton.

Aluminum, for swinging screen doors, grille tips can be easily trimmed, easy installation, helps prevent screen fabric damage, adds strength to entire door.

Fits Door Size	Actual Grille Size			Mill	Satin	Bronze	White
	"A"	"B"	"C"				
30 in. 32 in. 36 in.	33-1/2 in.	24 in.	4-1/4 in.	<a href="#">PL 15930</a>	<a href="#">PL 15931</a>	<a href="#">PL 15934</a>	<a href="#">PL 15933</a>

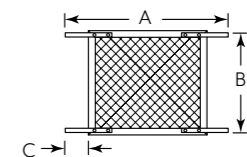


### Aluminum Door Grille

Qty: 1 per pack, 3 packs per carton.

Aluminum, for sliding screen doors, grille tips can be easily trimmed, easy installation, helps prevent screen fabric damage, adds strength to entire door.

Fits Door Size	Actual Grille Size			Satin	White	Dark Brown
	"A"	"B"	"C"			
36 in.	35-1/8 in.	25-1/8 in.	2-1/2 in.	—	<a href="#">PL 15937</a>	<a href="#">PL 15938</a>
48 in.	47-1/8 in.	25-1/8 in.	2-1/2 in.	<a href="#">PL 15940</a>	<a href="#">PL 15941</a>	<a href="#">PL 15942</a>



### Plastic Door Grille

Qty: 1 per pack, 6 packs per carton.

Plastic, for swinging screen doors, grille tips can be easily trimmed, easy installation, helps prevent screen fabric damage, adds strength to entire door.

Fits Door Size	Actual Grille Size			Gray	Bronze	White	Black
	"A"	"B"	"C"				
30 in. to 36 in.	34-1/2 in.	20 in.	4-1/8 in.	<a href="#">PL 15515</a>	<a href="#">PL 15516</a>	<a href="#">PL 15517</a>	<a href="#">PL 15518</a>



How-To Video: Installing a Screen Door Pet Grille

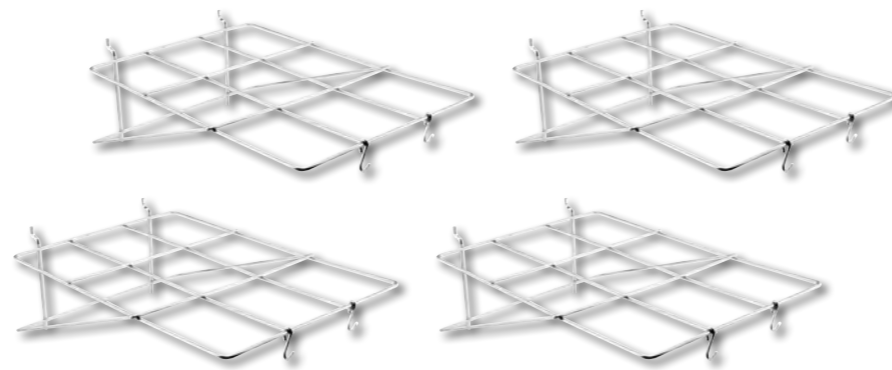
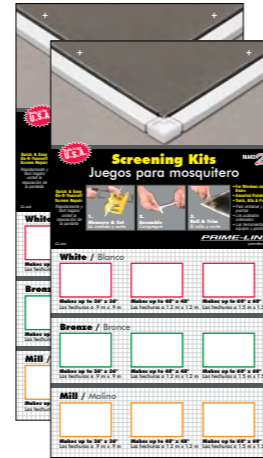
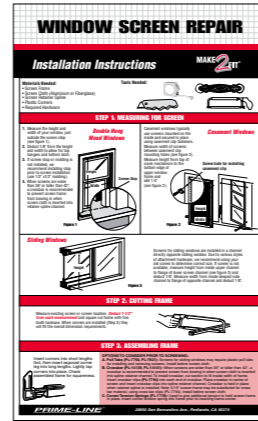
# SCREENS

New • Repair • Re-Wire

**Banner**

Qty: 1  
96 in. x 24 in., indoor / outdoor applications,  
grommets holes.

**P 8080**



**Display Rack and Signage**

Qty: 1 set.  
4 screen frame racks, 1 laminated card (ZZ 11),  
2 laminated screen frame signs (ZZ 466)

**PL 7798**

