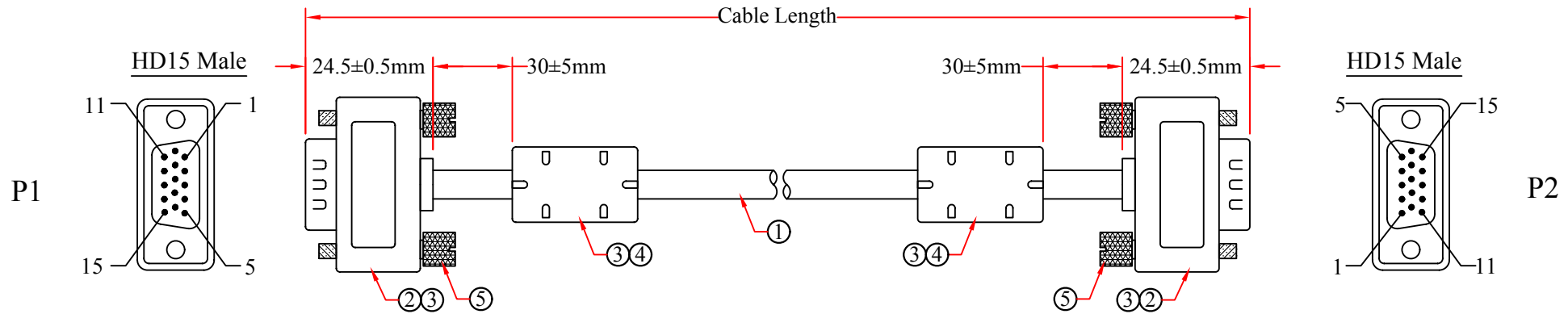


| REV. | DESCRIPTION | DATE    |
|------|-------------|---------|
| A    |             | 04-3012 |
|      |             |         |



| Pin Assignment |       |    |                         |
|----------------|-------|----|-------------------------|
| P1             | P2    | P1 | P2                      |
| 1              | Red   | 1  | 9                       |
| 6              | Green | 6  | 10                      |
| 2              | Blue  | 2  | 11                      |
| 7              |       | 7  | 12                      |
| 3              |       | 3  | 13                      |
| 8              |       | 8  | 14                      |
| 4              |       | 4  | 15                      |
| 5              |       | 5  | Shell Drain+Braid Shell |

RoHS

| PART NO    | CABLE LENGTH |
|------------|--------------|
| 10H1-11103 | 3 ft         |
| 10H1-11106 | 6 ft         |
| 10H1-11110 | 10 ft        |
| 10H1-11115 | 15 ft        |
| 10H1-11125 | 25 ft        |
| 10H1-11150 | 50 ft        |

|     |  |
|-----|--|
| 5   | Screw #4-40, Ø6.25*L 25.5mm  |
| 4   | Ferrite Core 12*5.6*20mm   |
| 3   | Black Molded PVC Hood  |
| 2   | HD15 Male With Threaded Nut(2Pcs) Inside,4.75*5.5mm,Gold Flash On Contacts,Metallize Type,Blue Insulator |
| 1   | UL20276 [32AWG(1C+D+FAM)*3C+9C*30AWG]+AL+D+B,OD:4.6mm,Black PVC Jacket                                   |
| NO. | SPECIFICATIONS   |
|     | BOM LIST   |

|             |   |      |          |    |
|-------------|---|------|----------|----|
| ITEM NUMBER | 10H1-111xx  |      | DRAWER   | JL |
| TITLE       | HD15 (SVGA) Male / HD15 (SVGA) Male Slim 32AWG, Coaxial, w/ Ferrites, Black |      | CHECKED  |    |
| MATERIAL    | SCALE   |      | APPROVED |    |
| REV.        | A   | UNIT | INCH     |    |
| DRAWING NO: |   |      |          |    |