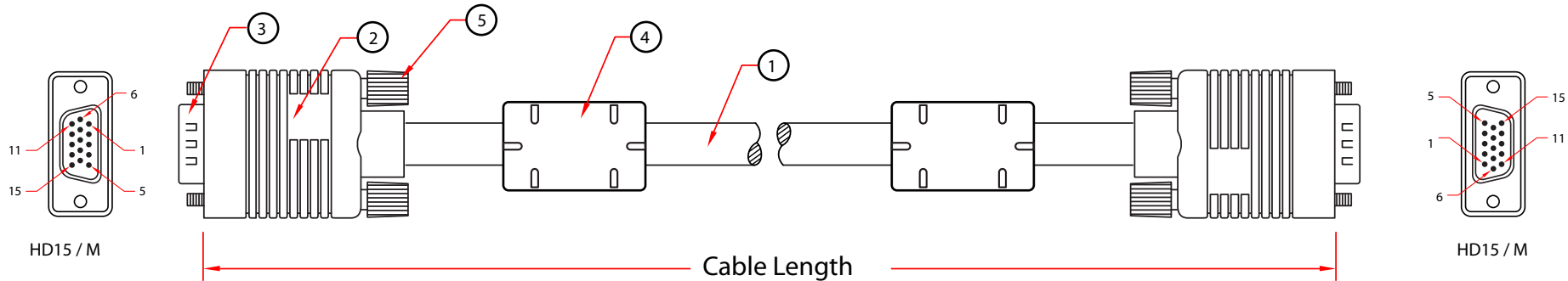


REV.	DESCRIPTION	DATE
A		
B		05-2010



PIN ASSIGNMENT							
HD15/M		HD15/M Right Exit		HD15/M		HD15/M Right Exit	
1		1	Red Coax	9		9	White
6		6	Red Coax Shield	5		5	Red
2		2	Green Coax	12		12	Orange
7		7	Green Coax Shield	10		10	Yellow
3		3	Blue Coax	13		13	Green
8		8	Blue Coax Shield	11		11	Blue
4		4	Black	15		15	Purple
14		14	Brown	Shell		Shell	Shell

RoHS

PART NO.	LENGTH
10H1-20115PL	15 FT
10H1-20125PL	25 FT
10H1-20150PL	50 FT
10H1-20175PL	75 FT
10H1-201HDPL	100 FT

6		ITEM NUMBER	10H1-201xxPL		DRAWER	LIBRA
5	Slotted 4/40 Molded Thumbscrew, Color: Black	TITLE	Plenum Rated HD15 (SVGA), CMP Listed, Male / Male		CHECKED	
4	Ferrite w/ PVC Molded, 10.7*16*28mm, Color: Black	MATERIAL		SCALE	APPROVED	
3	HD15 (SVGA) Male w/Gold Plating Contacts	REV.	A	UNIT		
2	Black Molded PVC Hood, Fully Shielded w/Al-Foil	DRAWING NO:		INCH		
1	CMP rate UL2919, [3 Mini-Coaxial (28AWG 7*0.12mm TC)+ Foam FEP + TC Spiral] + 4 Twisted Pairs(28AWG 7*0.12mm TC) + 1 Conductor(28AWG 7*0.12mm TC) + Drain Wire (28AWG 7*0.12mm TC), w/Al-Foil & TC Braid, Black PVC Jacket, OD:9.0mm				 888-212-8295.com	
NO.	SPECIFICATIONS					
	BOM LIST					