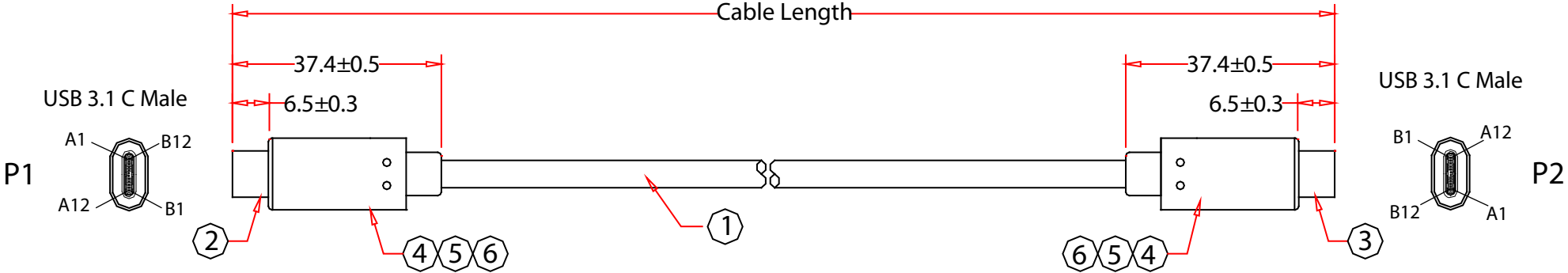
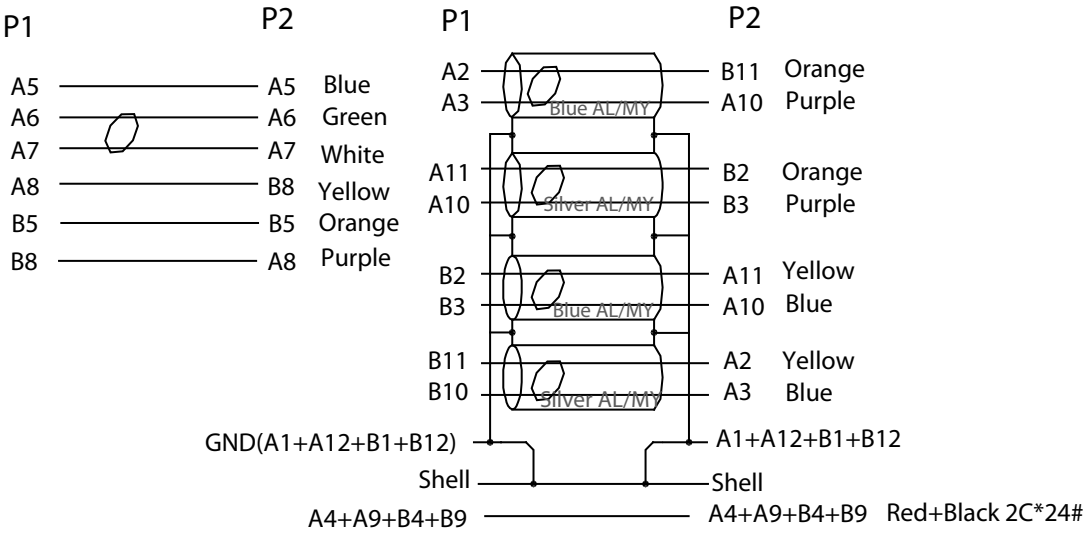


Rev.	Description	Date
A		05-2021



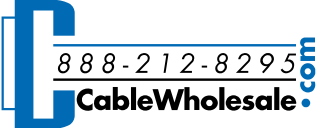
**Pin Assignment**



RoHS

PART NO.	CABLE LENGTH
10U3-31100.5	0.5 Meter(1.64ft)
10U3-31101	1 Meter(3.28ft)

6	Molded PVC Black
5	Molded PP Color Transparent
4	USB 3.1 C Male, Wire Clamp and Tinplate
3	USB 3.1 C Male ,Gold Flash on Contacts, with PCB(IC), Black Insulation, Capacitor 10nF
2	USB 3.1 C Male ,Gold Flash on Contacts, with PCB, Black Insulation, Capacitor 10nF
1	USB 3.1 UL2725[1P*32#+D+AL+Mylar]*4C+1P*32#+4C*32#+2C*24#+AL+D+B, OD: 4.5±0.2mm, Black PVC Jacket
No.	Specifications

Item Number:	10U3-311xx	
Title:	USB-C Cable, USB 3.1 Type C Male to Type C Male - 10Gbit	
Drawn by:	JL	
Approved by:	MAC	
ID:	156	