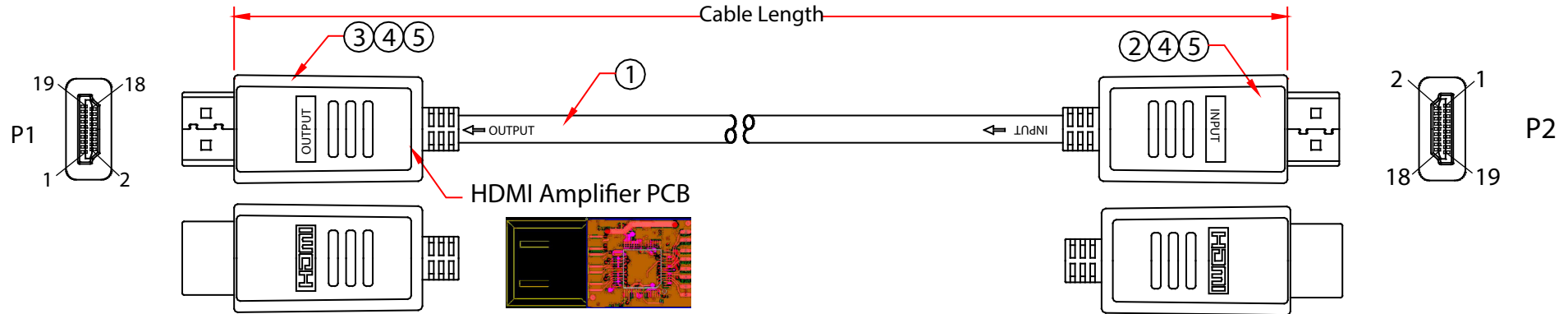
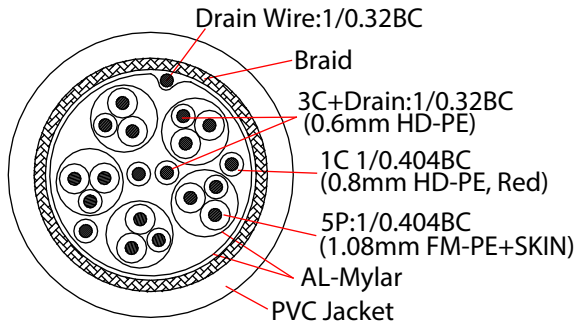


Rev.	Description	Date
B	Fixed typo & description	06-2019

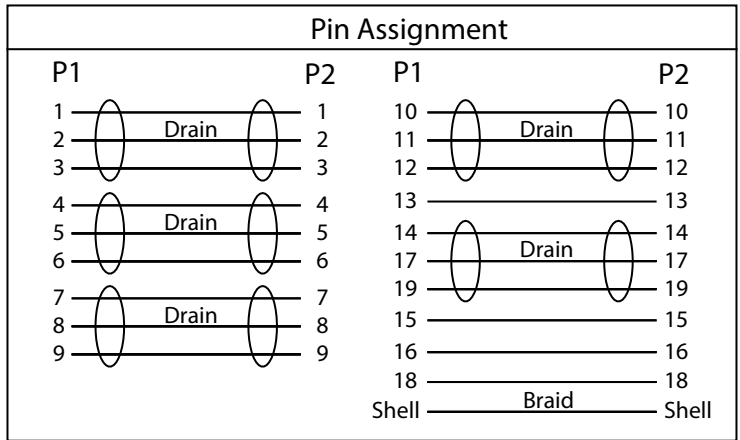


Cable Specifications

26AWG 1/0.404mm Stranded Bare Copper Conductor
 0.025mm AL-Mylar Foil Shield
 Braid 16/5/0.12mm AM
 1.08mm FM- PE+SKIN (5P) and 0.6mm HD-PE(3C) Insulation
 8.0 mm OD PVC CL3 Jacket



Pin Assignment



RoHS

PART NO.	CABLE LENGTH
10V3-41175	75 FT
10V3-411HD	100FT

5	Molded PVC Hood, Black Color	Item Number:	10V3-411xx
4	Inner Molded Nature PE	Title:	Active HDMI Cable, High Speed w/ Ethernet 10.2Gbps / 4k@30Hz, Supports v1.4b Devices, Black, CL3-rated
3	HDMI 19Pin Male, Shell Gold Plating, Insulation Black, with Amplifier PCB		
2	HDMI 19Pin Male, Shell Gold Plating, Insulation Black	Drawn by:	JL
1	HDMI CL3 rated, UL20276[26#(1/0.404BC)*1P+Drain+AL]*5P+28#(1/0.32BC)*3C+26#(1/0.404BC)*1C]+AL+D 28#(1/0.32BC)+B 16/5/0.12AM ,OD:8.0mm, Black PVC Jacket	Approved by:	MAC
No.	Specifications	ID:	223