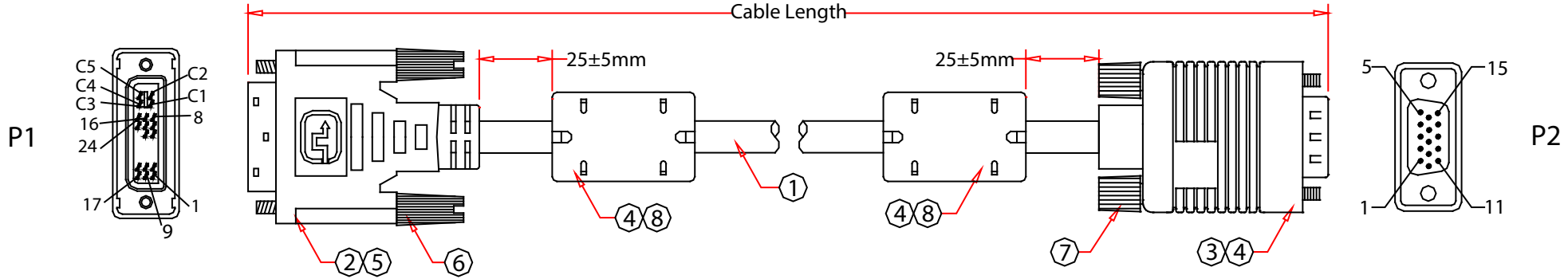


Rev.	Description	Date
A		09-2018

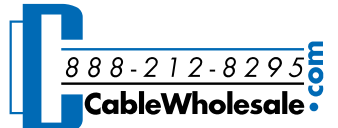


Pin Assignment			
P1	RED	P2	
C1	1	6	15
C5	6	7	12
C2	GREEN	8	14
C5	7	14	9
C3	BLUE	16	15
C5	8	15	10
C4	13		5
		Shell	Braid
			Shell

RoHS

PART NO.	CABLE LENGTH
10V4-05301BK	1 Meter
10V4-05302BK	2 Meter
10V4-05303BK	3 Meter
10V4-05305BK	5 Meter

8	Ferrite Core,17.5*8.4*28.5mm
7	#4-40 L:48mm Molded Thumbscrew, Black
6	#4-40 L:44.25mm Molded Thumbscrew, Black
5	DVI Male, Assmby Black PVC Boot
4	Molded Black PVC Hood
3	HDB 15Pin Male,Gold Flash On Contacts & Gold Connector,Blue Insulator
2	DVI (12+5)Pin Male,Gold Flash On Contacts & Gold Connector,Black Insulator
1	UL20276 3 Mini Coaxoal 30AWG+28AWG * 1 Pari+28AWG*5C, Alum-Mylar Foil and AMA Braid Shielding ,OD7.0mm,Jacket PVC Black
No.	Specifications

Item Number:	10V4-05301BK	
Title:	DVI-A to VGA Cable (Analog), Black, DVI-A Male to HD15 Male	
Drawn by:	JL	
Approved by:	MAC	
ID:	1	