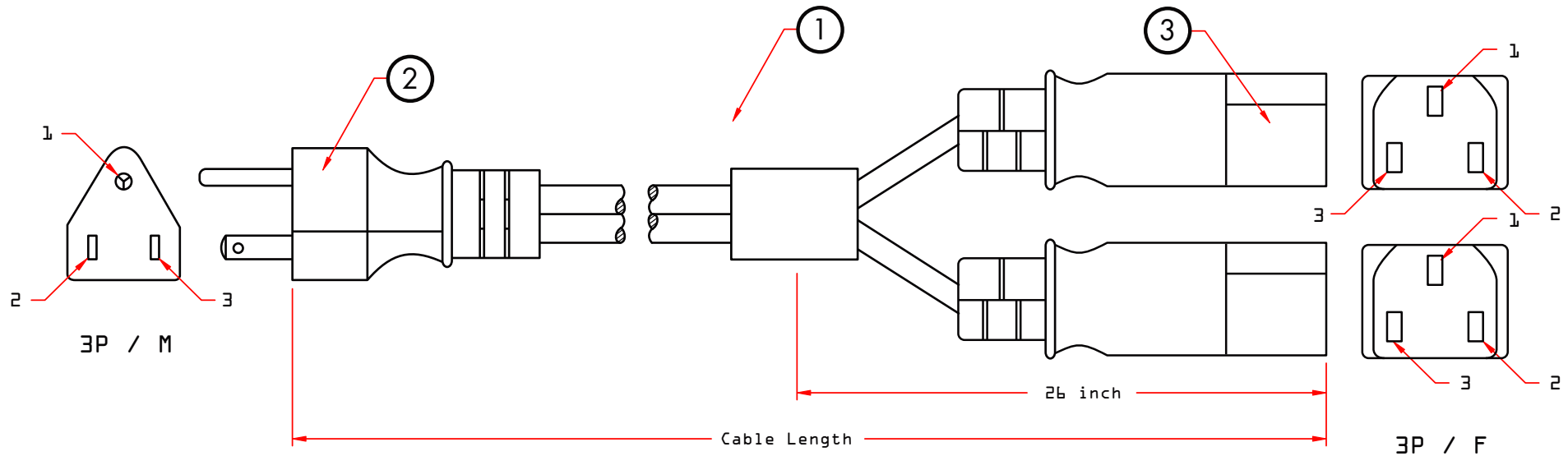
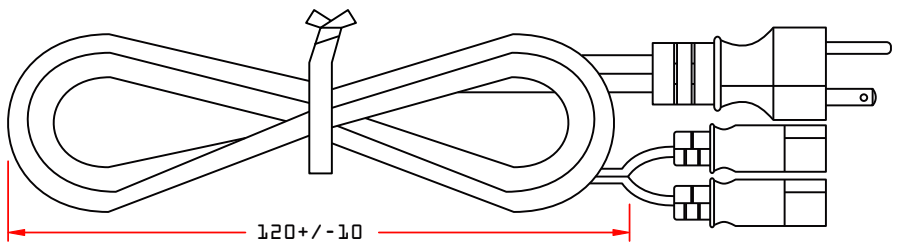


REV.	DESCRIPTION	DATE
A		
B		08-2008



Pin Assignment	
3 Pin Male	3 Pin Female
1	1 Green
2	2 White
3	3 Black



PART NO.	CABLE LENGTH
10W1-01206Y	6 ft

ITEM NUMBER	10W1-012xxY	DRAWER	MPD
TITLE	Standard PC NEMA 5/15P / 2 x Monitor C13 Female Y Power Cable	CHECKED	MAC
MATERIAL		APPROVED	MAC
REV.	A	SCALE	INCH
DRAWING NO:			

N0.	SPECIFICATIONS
3	3-Pin (C13) Female, UL/CSA Approved, Color Black.
2	3-Pin (NEMA 5/15P) Male, UL/CSA Approved, Color Black.
1	UL/CSA Approved SVT 3C 18AWG (41*0.16mm) Unshielded Black Cable, 125V/10A, 75C
BOM LIST	

