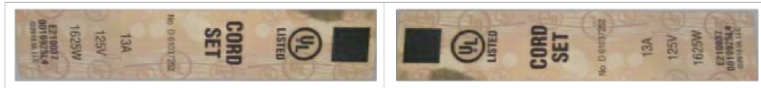
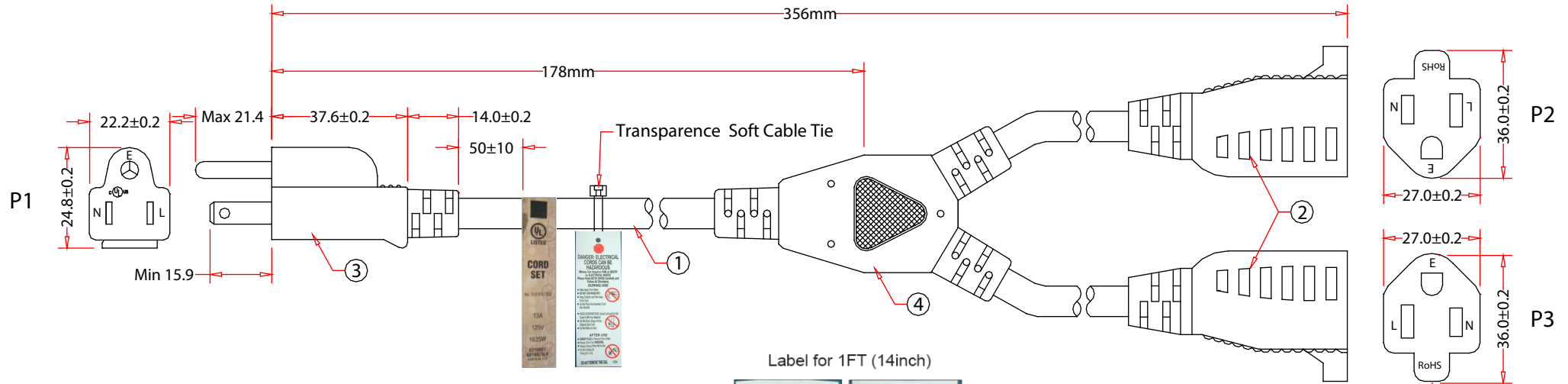


Rev.	Description	Date
A		05-2019



Label A

Label for 1FT (14inch)



Label B Back Label B Front



Pin Assignment		
P1	P2	P3
L Black	L Black	L
N White	N White	N
E Green	E Green	E

Notes:

Label A is " UL Label"

Label B is " Warning Label"

Item Number:		10W1-04201Y	
Title:		Power Y Cord, Black, NEMA 5-15P to Dual NEMA 5-15R, 1 foot	
Drawn by:		JL	
Approved by:		MAC	
ID:		1	
No.	Specifications		
4	Black Molded PVC Hood		
3	UL/CSA Approved NEMA 5-15R, 13A/125V, Color: Black		
2	UL/CSA Approved NEMA 5-15P, 13A/125V,Color: Black		
1	UL Approved SJT 16AWG*3C 75°C/300V, CSA Approved SJT 16AWG*3C 60°C /300V,OD 8.5mm,Black		

