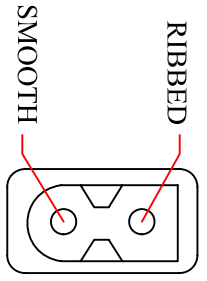
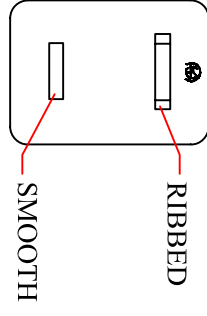
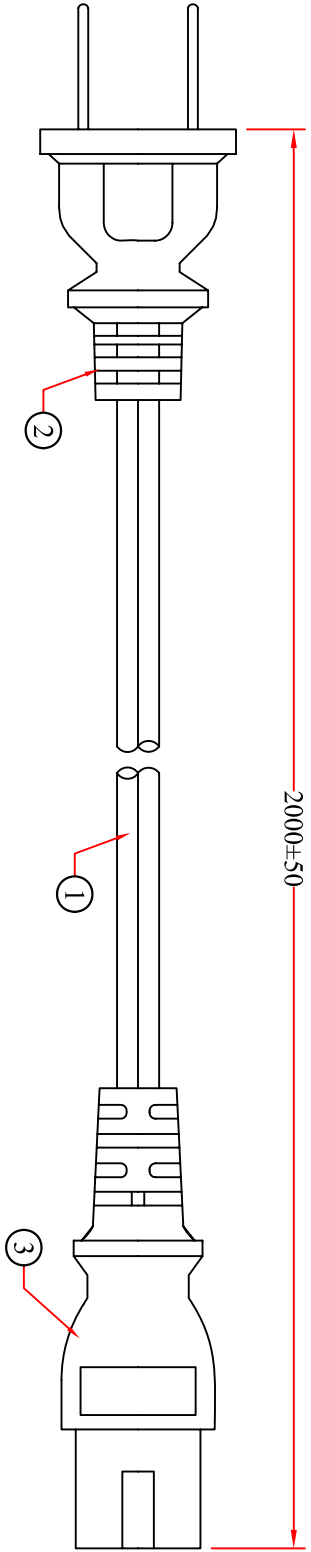


REV.	DESCRIPTION	DATE
A		07-2014



**ROHS**

**POLARIZED  
NEMA 1-15P**

**IEC-60320-C7P**

4	UL/CSA Approved, IEC-60320-C7P, 10A 125V, Color: Black							
3	UL/CSA Approved, NEMA 1-15P Male, 10A 125V, Color: Black							
2	UL/CSA Approved, SPT-2 18AWG 2C 105°C, Black							
1	UL/CSA Approved, SPT-2 18AWG 2C 105°C, Black							
SPECIFICATIONS								
BOM LIST								
ITEM NUMBER	10W1-14206	DRAWER	JL					
TITLE	Notebook/Laptop Power Cord, NEMA 1-15P to C7	CHECKED						
MATERIAL		APPROVED						
REV.	A	SCALE						
DRAWING NO.		UNIT	INCH					
ID(No.)	39							