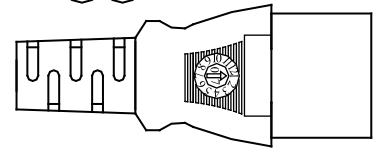
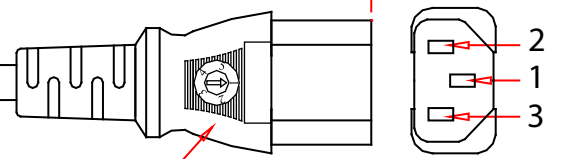
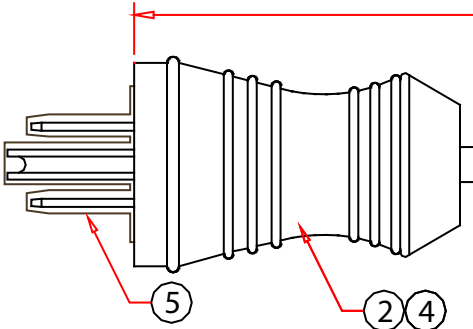
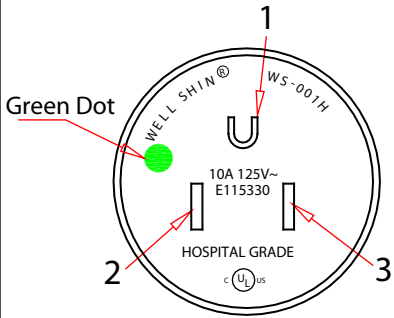
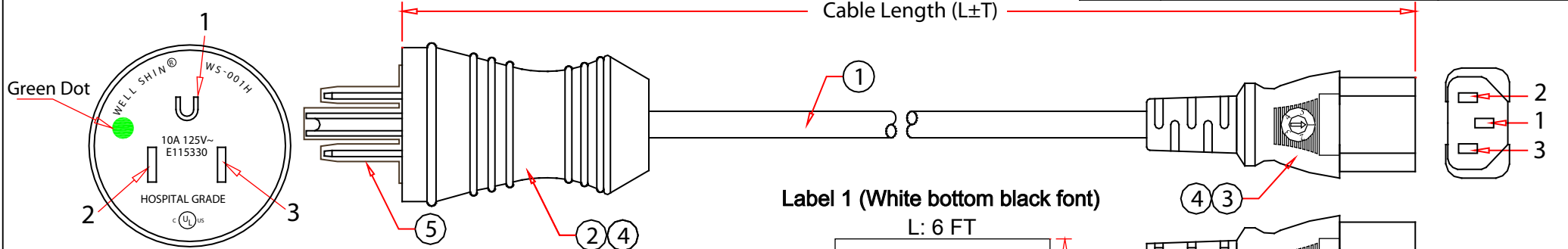
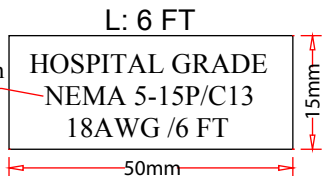


Rev.	Description	Date
A		07-2022

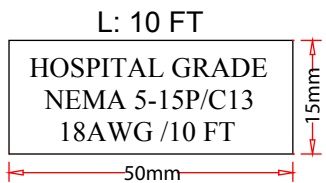


NEMA 5-15P Hospital

Label 1 (White bottom black font)



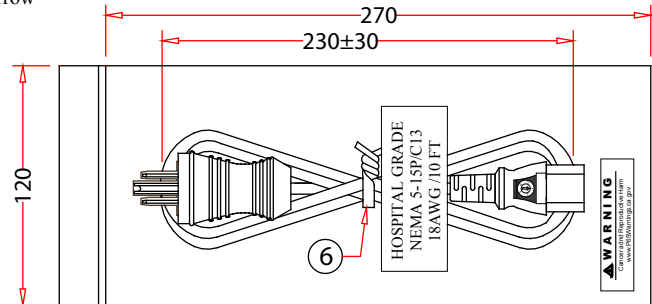
Label 2 (White bottom black font)



IEC-60320-C13

RoHS

Pin Assignment			
NEMA 5-15P Hospital	IEC 60320 C13		
1	Green	1	
2	White	3	
3	Black	2	



Packaging: 1Pcs PE Bag+ Label 1+Label 2

PART NO.	CABLE LENGTH	
	L	±T
10W1-51003	3 FT	±20 mm
10W1-51006	6 FT	±30 mm
10W1-51010	10 FT	±40 mm
10W1-51015	15 FT	±40 mm

6	Cable Tie, White	Item Number:	10W1-510xx	
5	Plastic Cap, White	Title:	Hospital Grade Green Dot Power Cord, Nema 5-15 to C13, 18 AWG, SJT, 10 Amp / 125 Volt	
4	Transparent Blue Molded PVC	Drawn by:	JL	
3	NEMA 5-15P, UL/CSA Approved Hospital Grade Power Plug, 10A 125V~	Approved by:	MAC	
2	IEC60320 C13, UL/CSA Approved Hospital Grade Power 3 Plug, 10A 125V~	ID:	1	
1	UL/CSA Approved, SJT 18AWG x 3C, 105°C, Color: PANTONE Cool Gray 9C			
No.	Specifications			