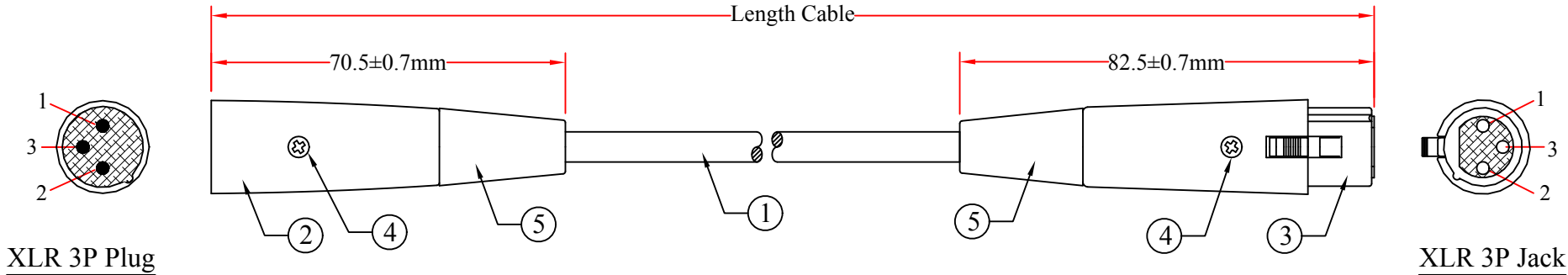


REV.	DESCRIPTION	DATE
A		11-2012



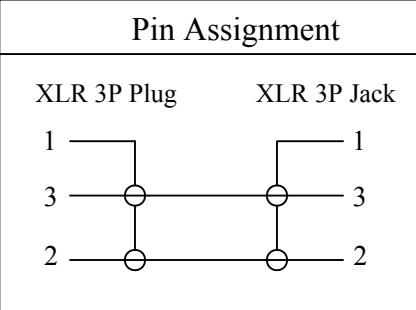
NOTES:

- 1. Electrical Test:
- (1) 100% Open Short & Miswire Test.
- (2) Conductor Resistance: DC 300V 5ohm MIN

PART NO.	CABLE LENGTH
10XR-01206	6 FT
10XR-01210	10 FT
10XR-01215	15 FT
10XR-01225	25 FT
10XR-01250	50 FT
10XR-012HD	100 FT

RoHS

Cable Specifications	
24AWG(40/0.08mm) Stranded Bare Copper Conductor	
Tinned Copper Braid 64/0.10mm	
1.4mm PE Insulation	
5.6mm OD PVC Jacket	



5	Black PVC
4	Screw /Fe Nickel Plated
3	XLR 3P (MIC) Jack, Nickel Plated, Black Insulation
2	XLR 3P (MIC) Plug, Nickel Plated, Black Insulation
1	24AWG[(40/0.08BC)+Cotton+Braid 64/0.10TC]*2C OD:5.6mm, Black PVC Jacket
NO.	SPECIFICATIONS
BOM LIST	

ITEM NUMBER	10XR-012xx		DRAWER	JL
TITLE	XLR Audio Extension Cable, XLR Male to XLR Female		CHECKED	
MATERIAL	SCALE		APPROVED	
REV.	A	UNIT	INCH	
DRAWING NO:				
NO. (ID)	213			