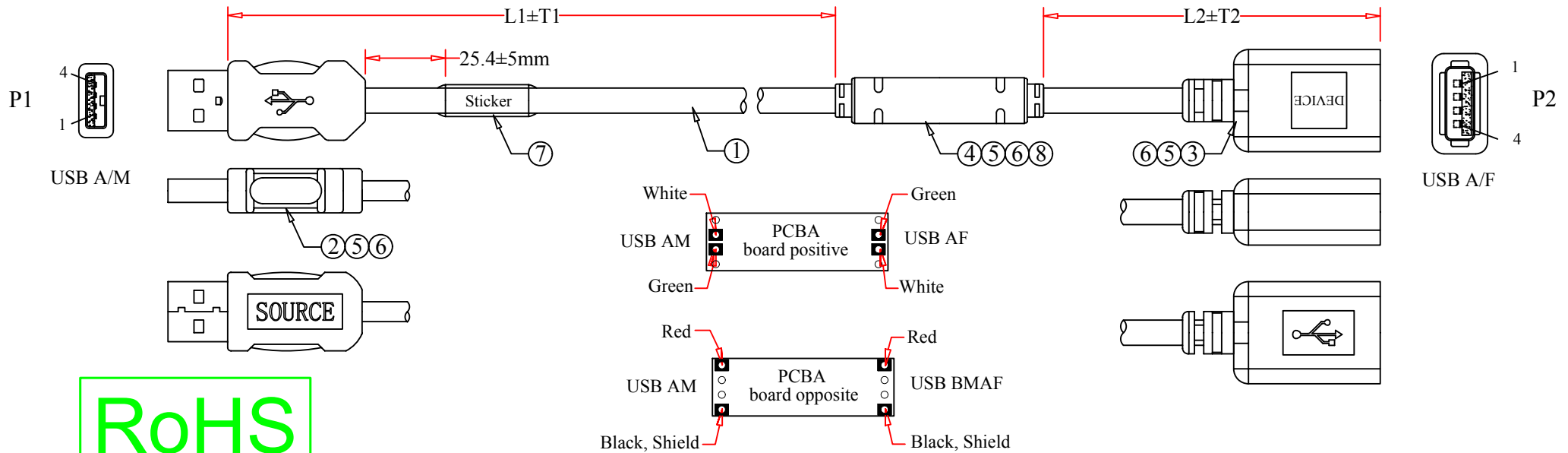


REV.	DESCRIPTION	DATE
A		12-2016



RoHS

NOTES: Unless Otherwise Specified

- (1) Cable Assembly to be Wired in to the Wire Diagram
- (2) Cable Assembly to be 100% Tested for Shorts, Opens, and Miss wires, Final Test Will be 100% Hi-Pot at 300 Volts for 100ms

Pin Assignment				
P1	COLOR		COLOR	P1
1	Red	————	Red	1
2	White		White	2
3	Green		Green	3
4	Black	————	Black	4
Shell	Shield	————	Shield	Shell

PART NO.	L1±T1(mm)	L2±T2(mm)
11U2-51025	6098±80	1524±30
11U2-51035	9144±120	1524±30
11U2-51050	13716±150	1524±30
11U2-51075	21336±200	1524±30

8	Two Sided Conductive Copper
7	Sticker, Transparent Stickers
6	Molding Compound, Over-Mold, PVC, Shore A=91±3A, Dark Blue
5	Molding Compound, PRE-Mold, Polyethylene
4	PCB, FE4.1 PCBA
3	Connector, USB AF Single Piece, Pin Gold Plated 30u", Steel Nickel Plated
2	Connector, USB AM Single Piece, Pin Gold Plated 30u", Steel Nickel Plated
1	CABLE: 24AWG*1P+22AWG*2C, CMP
NO.	SPECIFICATIONS
BOM LIST	

ITEM NUMBER	11U2-510xx			DRAWER	JL
TITLE	Plenum USB 2.0 High Speed Active Extension Cable, CMP, Type A Male to A Female			CHECKED	
MATERIAL		SCALE		APPROVED	
REV.	A	UNIT	INCH		
DRAWING NO:					
ID(NO.)	53				