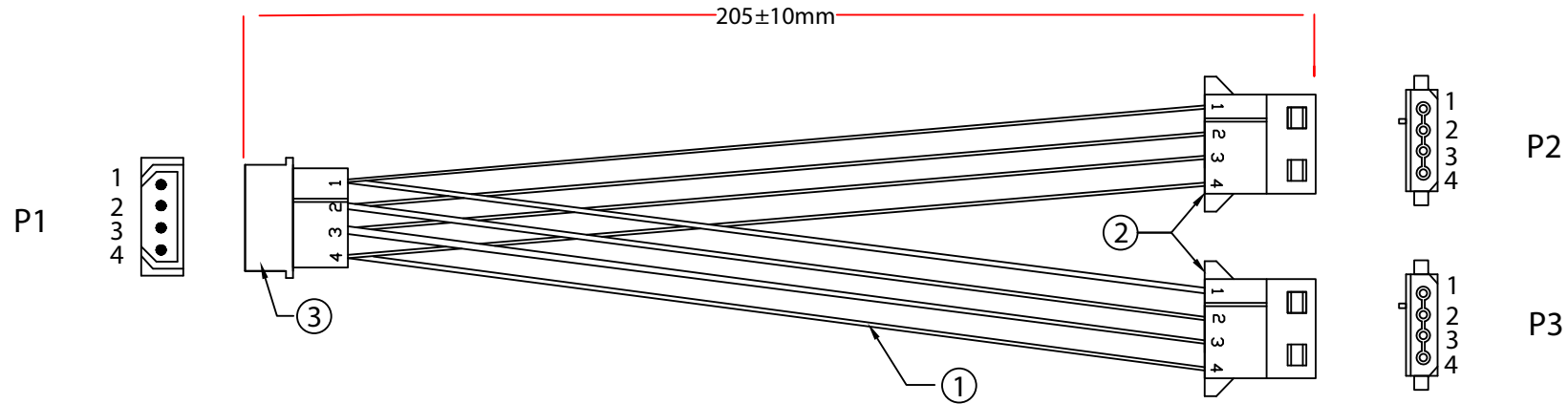


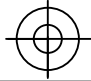
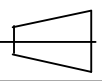
REV.	DESCRIPTION	DATE
A		08-2012



Pin Assignment			
P2		P1	P3
1	Yellow	1	Yellow
2	Black	2	Black
3	Black	3	Black
4	Red	4	Red

RoHS

3	4Pin Male, Pitch:5.08mm, Terminal Plated Nickel
2	4Pin Female, Pitch:5.08mm, Terminal Plated Nickel
1	UL1007, Red 2 Pcs, Yellow 2 Pcs, Black 4 Pcs
NO.	SPECIFICATIONS
BOM LIST	

ITEM NUMBER	11W3-01208		DRAWER	JL
TITLE	4 Pin Male to 2*4Pin Female 4Pin, Molex Power Y-Cable,8 Inch		CHECKED	
MATERIAL	SCALE		APPROVED	
REV.	A	UNIT	INCH	 
DRAWING NO:			