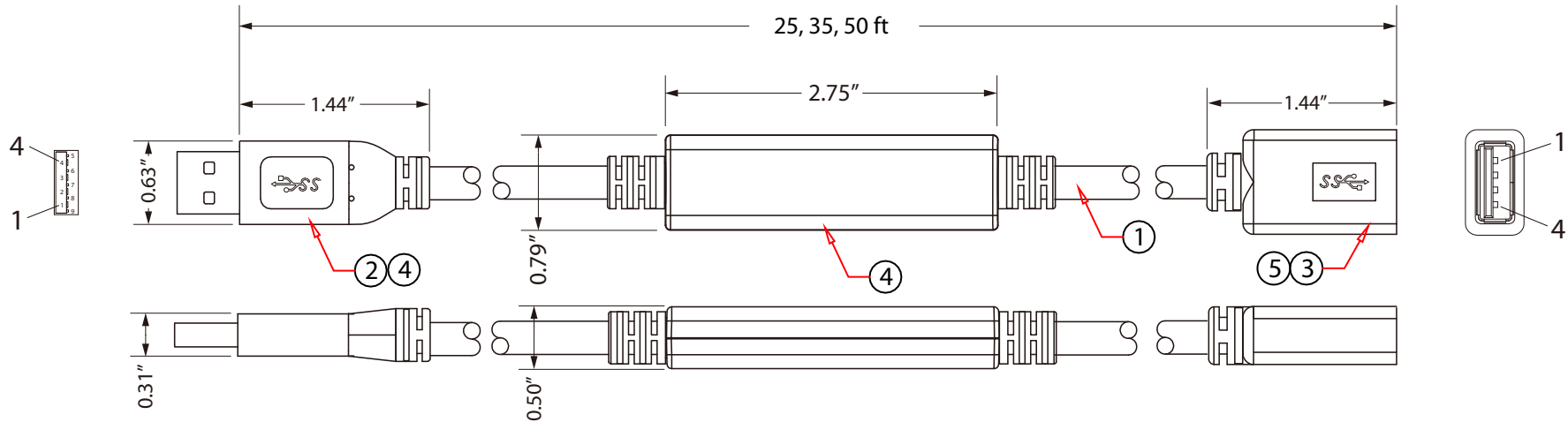


Rev.	Description	Date
A		05-2021



Key Features

- Non-Plenum Riser
- No External Power Required (Pulls Power from Source)
- USB A-Male to USB A-Female
- USB 3.0 Compliant Supports Super Speed, 5 Gbps
- Backward Compatible with USB 1.0 and 1.1, and 2.0 Standards
- Plug-and-Play, No Additional Drivers Required
- Ships with Covid Spear-Head Pull System
- Hub chipset provides low latency delay (80-180 μs)
- Directional cable is color coded on source and display ends for ease of installation

Technical Specifications

- Max Inrush Current: 1.5A max
- Minimum Bend Radius: 10x cable OD
- Max Tensile: 10KGF
- Operation: -10°C~+75°C
- Storage Temperature: 14°C ~ 167°C
- Operation Humidity: 50%~75%
- Number of Connector Mating Cycles: 1500 cycles min

RoHS

PART NO.	Cable Length	Power Consumption Read/write max.
12U3-02125	25 FT	888mW
12U3-02135	35 FT	888mW
12U3-02150	50 FT	1332mW

5	Molded PVC Blue	Item Number:	12U3-021xx	
4	Molded PVC Black	Title:	USB 3.0 Active Extension Cable, Type A Male / Type A Female, CMR, Black	
3	USB 3.0 A/F, Blue Insulation, Shell Nickel Plated	Drawn by:	JL	
2	USB 3.0 A/M, Blue Insulation, Shell Nickel Plated	Approved by:	MAC	
1	Cable: 24AWG*2P+26AWG*1P+22AWG*2C, OD:7.0mm, Jacket CMR PVC Black	ID:	53	
No.	Specifications			