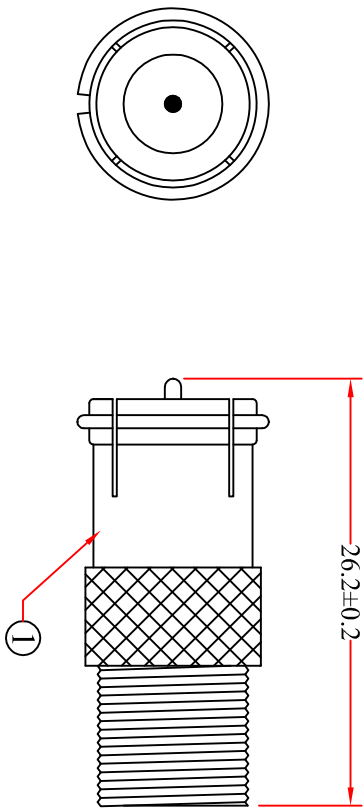
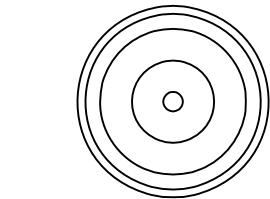


REV.	DESCRIPTION	DATE
A		05-2012

ROHS



F-Pin (coax) Quick Male



F-Pin (coax) Quick Female

ITEM NUMBER	200-103		DRAWER	JL
TITLE	F-Pin (coax) Quick Connect, Female to Male, Adaptor			
MATERIAL		SCALE		
REV.	A	UNIT	INCH	
DRAWING NO:				
3				
2				
1	F-Pin (coax) Quick Female to Male, Shell: Nickel Plated			
NO.	SPECIFICATIONS			
BOM LIST				