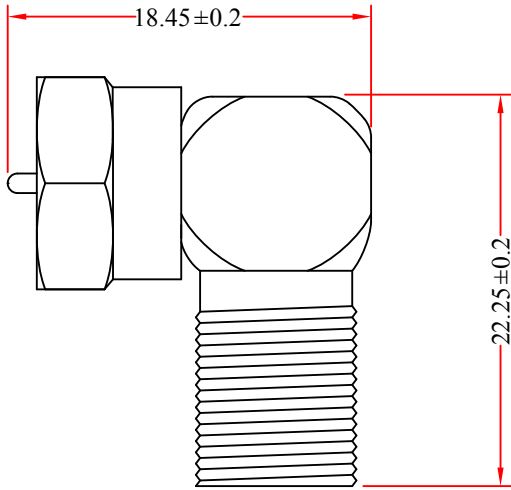
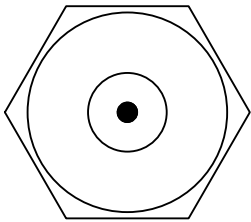
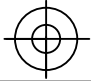
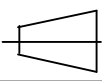


REV.	DESCRIPTION	DATE
A		05-2012



RoHS

3	
2	
1	F-Pin Male to Female Right Angle L-Adaptor ,Shell:Zinc,Nickel Plated
NO.	SPECIFICATIONS
BOM LIST	

ITEM NUMBER	200-107			DRAWER	JL
TITLE	F-Pin Right Angle L-Adaptor Male / Female			CHECKED	
				APPROVED	
MATERIAL		SCALE		 	
REV.	A	UNIT	INCH		
DRAWING NO:				