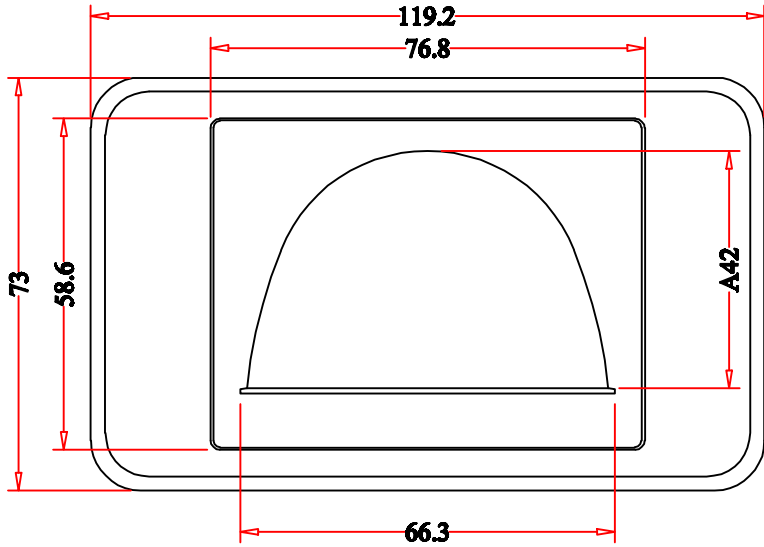
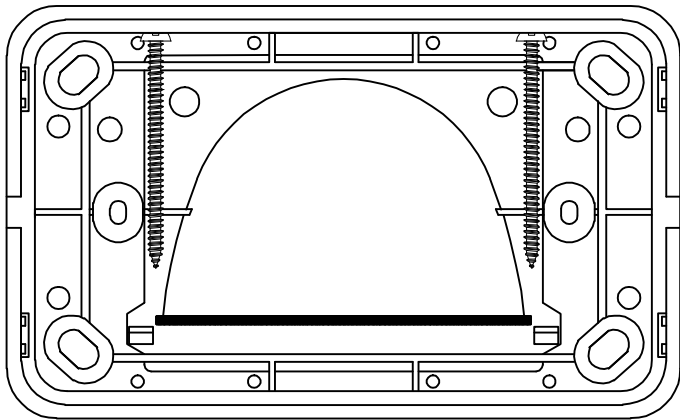


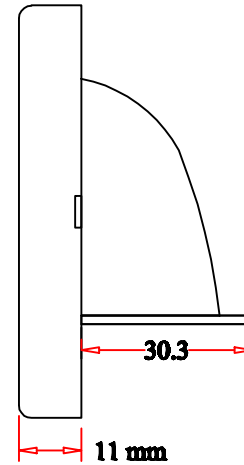
REV.	DESCRIPTION	DATE
A		06-2017



**Front View**



**Back View**



**Side View**

RoHS

ITEM NUMBER	301-6001			DRAWER	JL
TITLE	Wall Plate Insert, White, Brush Cable Pass Through			CHECKED	
				APPROVED	
MATERIAL		SCALE			
REV.	A	UNIT	MM		
DRAWING NO:					
ID(NO.)	232				

NO.	SPECIFICATIONS
	BOM LIST