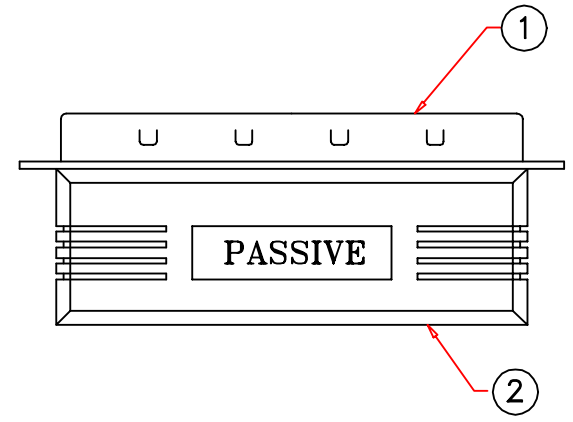
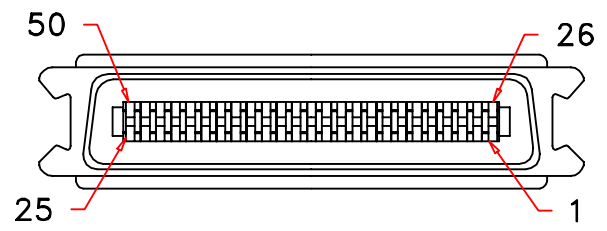
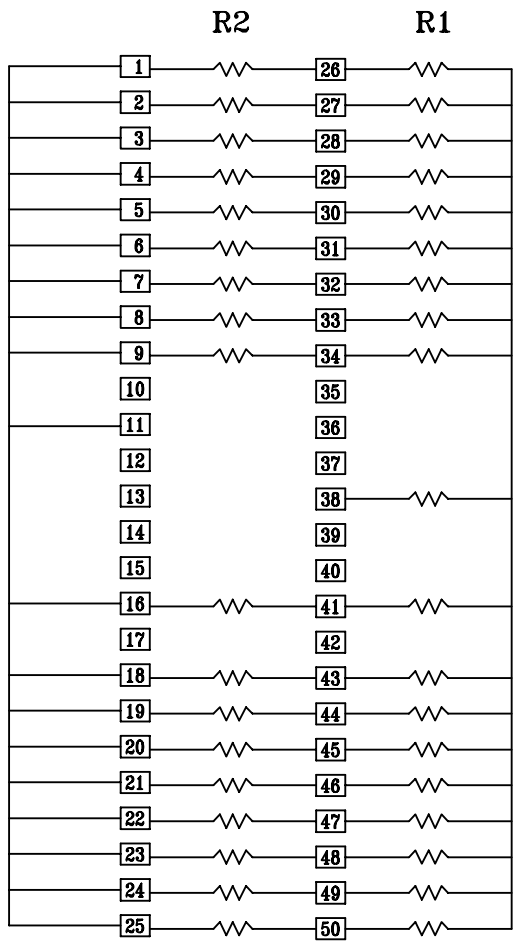


RoHS

REV.	DESCRIPTION	DATE
A		01-2014



2	Grey Molded PVC Hood, Fully Shielded w/AL-Foil
1	Cn 50 Pin Male w/Gold Plating Contacts
NO.	SPECIFICATIONS
BOM LIST	

ITEM NUMBER	30C2-05500			DRAWER	JL
TITLE	SCSI Terminator, Centronics 50 (CN50) Male, One End, Passive			CHECKED	
MATERIAL		SCALE		APPROVED	
REV.	A	UNIT	MM		
DRAWING NO:				 888-212-8295.com	