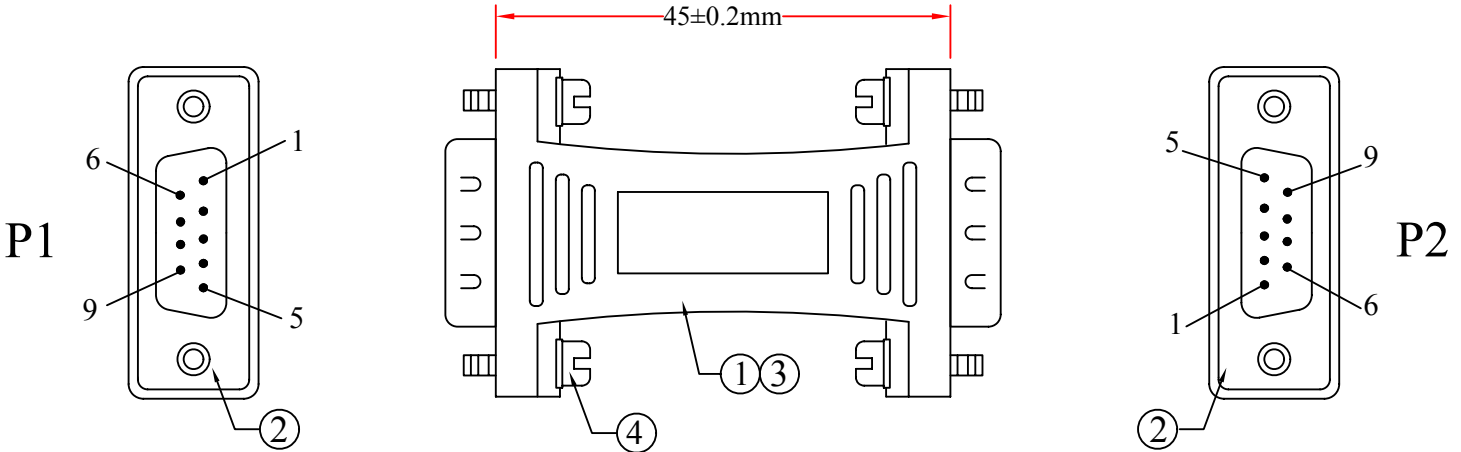


REV.	DESCRIPTION	DATE
A		12-2014

RoHS



Pin Assignment		
P1		P2
1	————	1
2	————	2
3	————	3
4	————	4
5	————	5
6	————	6
7	————	7
8	————	8
9	————	9
Shell	————	Shell

NO.	SPECIFICATIONS
4	Ø4 x12.5 mm Screw+Gasket
3	Beige Molded PVC
2	DB9 Pin Male ,Contact:Gold Plated, Shell: Nickel Plated, Insulation Blue
1	NON-UL 28AWG Wire
BOM LIST	

ITEM NUMBER	30D1-08100			DRAWER	JL
TITLE	Serial / AT Modem Adapter, DB9 Male to DB9 Male			CHECKED	
				APPROVED	
MATERIAL		SCALE			
REV.	A	UNIT	INCH		
DRAWING NO:					