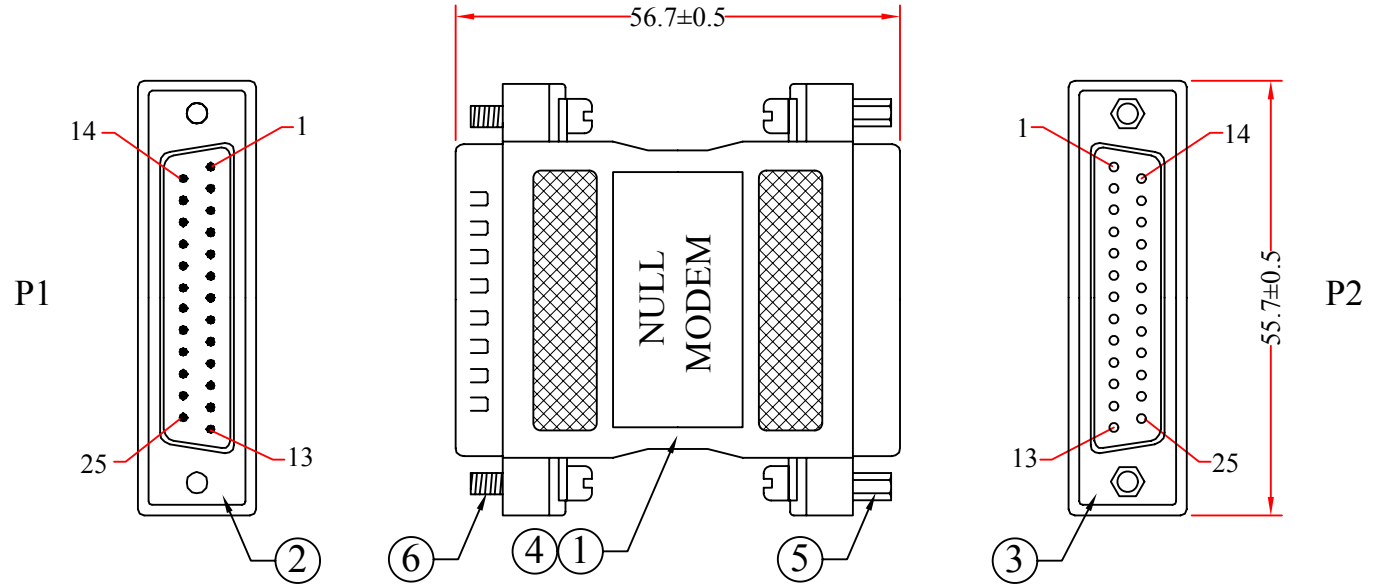


REV.	DESCRIPTION	DATE
A		01-2014

RoHS

Pin Assignment			
	P1		P2
	1	_____	1
	2	_____	3
	3	_____	2
	4	_____	5
	5	_____	4
	6	_____	20
	8	_____	8
	7	_____	7
	20	_____	6
	Shield	_____	Shield



NO.	SPECIFICATIONS
6	Screw 4*12.5mm,#4-40, with Pad
5	Hex-Nut 5*6.6mm
4	Beige Molded PVC Hood
3	DB25P Female ,Gold Flash on Contacts, Insulation Blue
2	DB25P Male ,Gold Flash on Contacts, Insulation Blue
1	UL1061 26AWG Wire
BOM LIST	

ITEM NUMBER	30D3-38200			DRAWER	JL
TITLE	Null Modem Adapter, DB25 Male to DB25 Female			CHECKED	
MATERIAL		SCALE		APPROVED	
REV.	A	UNIT	MM		
DRAWING NO:				888-212-8295 CableWholesale.com	