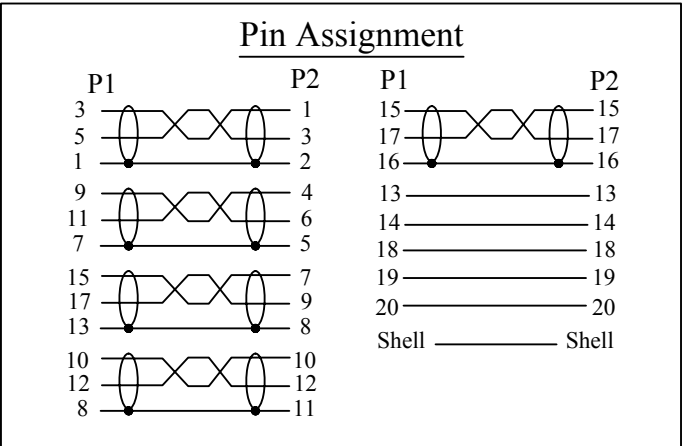
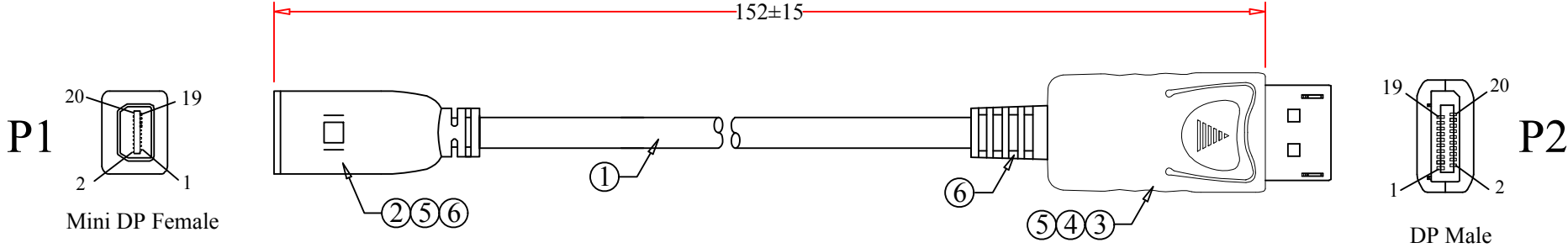


REV.	DESCRIPTION	DATE
A		01-2018



RoHS

NOTES:
 1. Electrical Test:
 (1) 100% Open Short & Miswire Test.
 (2) Insulation Resistance 1 MΩ MIN.

6	Black Molded PVC	ITEM NUMBER	30H1-62206		DRAWER	JL
5	Inner Molded LD-PE	TITLE	DisplayPort Male to Mini DisplayPort Female 6 inch Adapter Cable		CHECKED	
4	DP Black Assembly Hood	MATERIAL		SCALE	APPROVED	
3	Displayport 20P Male, Nickel Plated	REV.	A	UNIT		
2	Mini Displayport 20P Female, Nickel Plated	DRAWING NO:		MM		
1	UL20276 (32AWG*1P+D+AL)*5+32AWG*4C+AL/MY+BRAID, OD: 5.5±0.15mm, Black Outer PVC Jacket	ID(NO.)	106		 888-212-8295.com	
NO.	SPECIFICATIONS					
BOM LIST						