

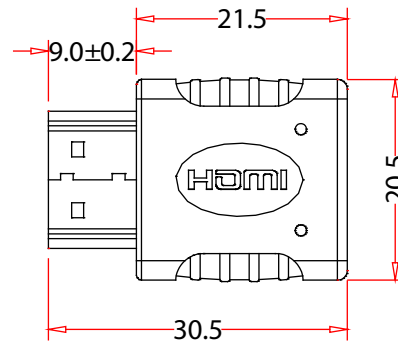
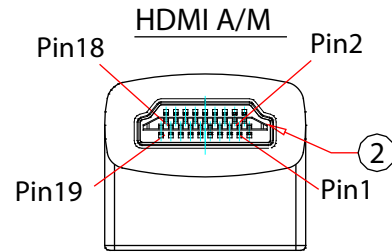
NOTES:

1. Electrical Test:

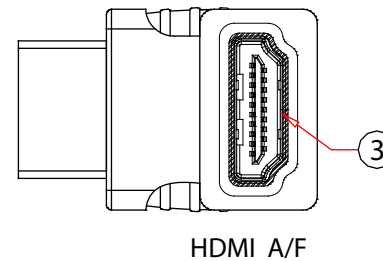
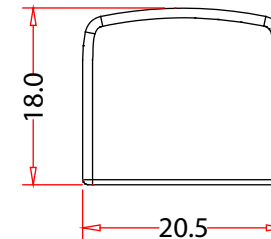
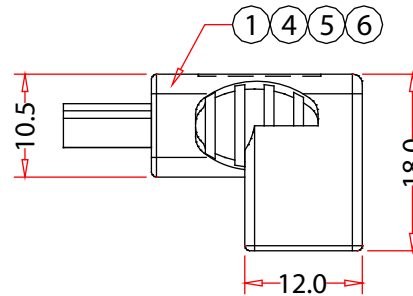
- (1) 100% Open Short & Miswire Test.
- (2) Withstanding Voltage: DC / AC 300V at 10ms.
- (3) Insulation Resistance: 10 MΩ (min.)
- (4) Conductor Resistance: 2 MΩ

Rev.	Description	Date
A		06-2021

Pin Assignment	
HDMI A/M	HDMI A/F
1	1
2	2
3	3
4	4
5	5
6	6
7	7
8	8
9	9
10	10
11	11
12	12
13	13
14	14
15	15
16	16
17	17
18	18
19	19
Shell	Shell



RoHS



6	Outer Molding PVC Black	Item Number:	30HH-50210
5	Inner Molding LD-PE	Title:	HDMI Right Angle Adapter, HDMI Male to HDMI Female, 90 Degree
4	HDMI 19P Male to Female PCBA		
3	HDMI 19P Female, Pin G/F, Black Insulation, Shell / Steel Gold Plated	Drawn by:	JL
2	HDMI 19P Male, Pin G/F, Black Insulation, Shell / Steel Gold Plated	Approved by:	MAC
1	Wire	ID:	108
No.	Specifications		

