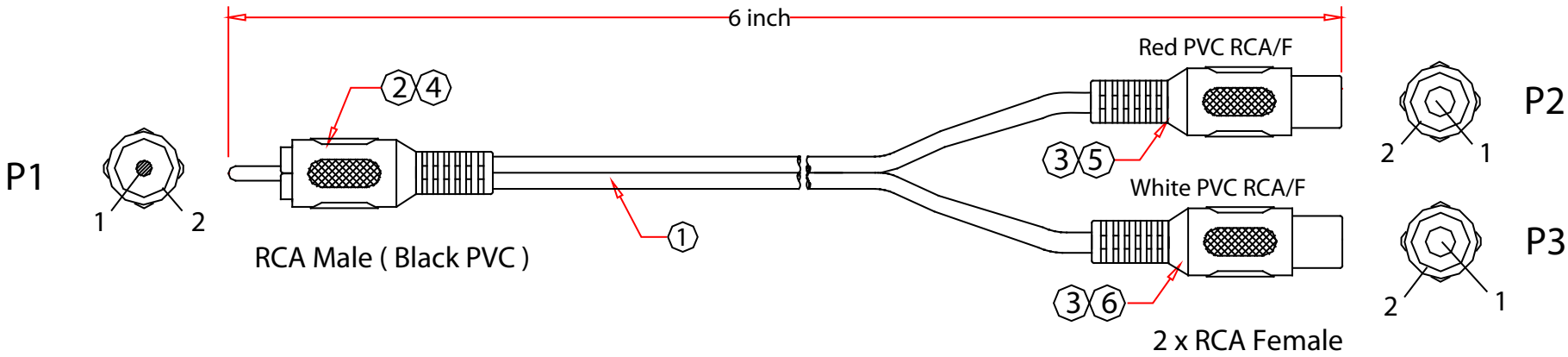


Rev.	Description	Date
A		01-2020



Pin Assignment		
P1	P2	P3
RCA/M	Red RCA/F	White RCA/F
1	1	1
2	2	2

RoHS

6	White Molded PVC	<table border="1"> <tr> <td>Item Number:</td> <td>30R1-03360</td> </tr> <tr> <td>Title:</td> <td>RCA Splitter / Adapter, RCA Male to Dual RCA Female, 6 inch</td> </tr> <tr> <td>Drawn by:</td> <td>JL</td> </tr> <tr> <td>Approved by:</td> <td>MAC</td> </tr> <tr> <td>ID:</td> <td>1</td> </tr> </table>	Item Number:	30R1-03360	Title:	RCA Splitter / Adapter, RCA Male to Dual RCA Female, 6 inch	Drawn by:	JL	Approved by:	MAC	ID:	1
Item Number:	30R1-03360											
Title:	RCA Splitter / Adapter, RCA Male to Dual RCA Female, 6 inch											
Drawn by:	JL											
Approved by:	MAC											
ID:	1											
5	Red Molded PVC											
4	Black Molded PVC											
3	RCA Female, Nickel Plated											
2	RCA Male, Nickel Plated											
1	[(10/0.10 CCS)*1C+Spiral(28/0.10 CCS)]*2F,OD: 2.6*5.2mm, Black PVC Jacket											
No.	Specifications	