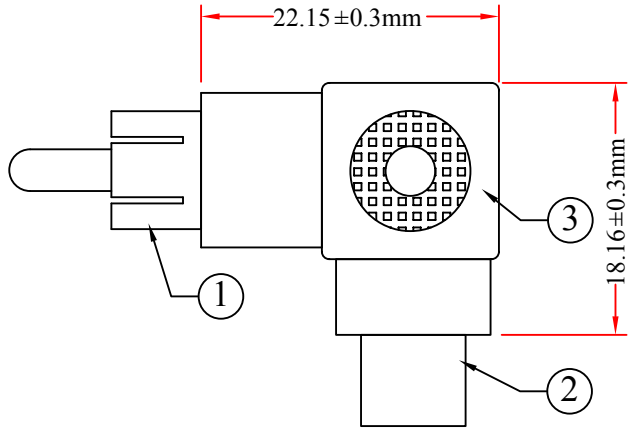
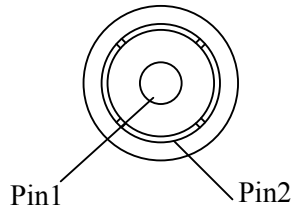
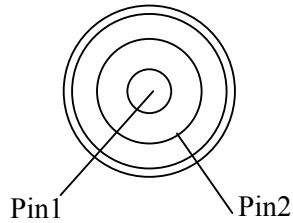


REV.	DESCRIPTION	DATE
A		08-2012

P1



RoHS



P2

Pin Assignment	
P1	P2
1	1
2	2

NOTES:

- 1. Electrical Test:
- (1) 100% Open Short & Miswire Test.
- (2) Insulation Resistance 1 MΩ MIN.

NO.	SPECIFICATIONS
3	Black Molded PVC
2	RCA Female, Shell: Nickel Plated
1	RCA Male, Shell: Nickel Plated
BOM LIST	

ITEM NUMBER	30R1-90300			DRAWER	JL
TITLE	RCA Right Angle Adaptor, Female to Male (elbow)			CHECKED	
MATERIAL		SCALE		APPROVED	
REV.	A	UNIT	INCH		
DRAWING NO:				 888-212-8295.com	