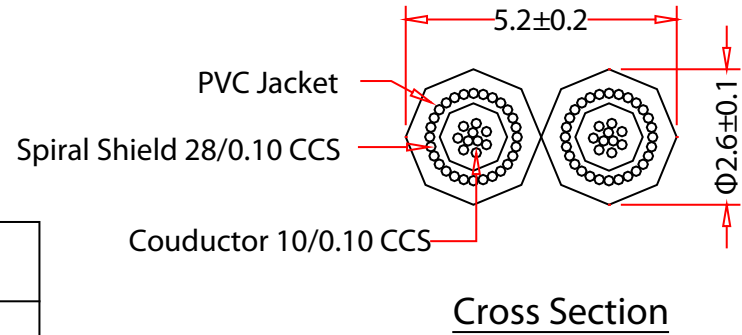
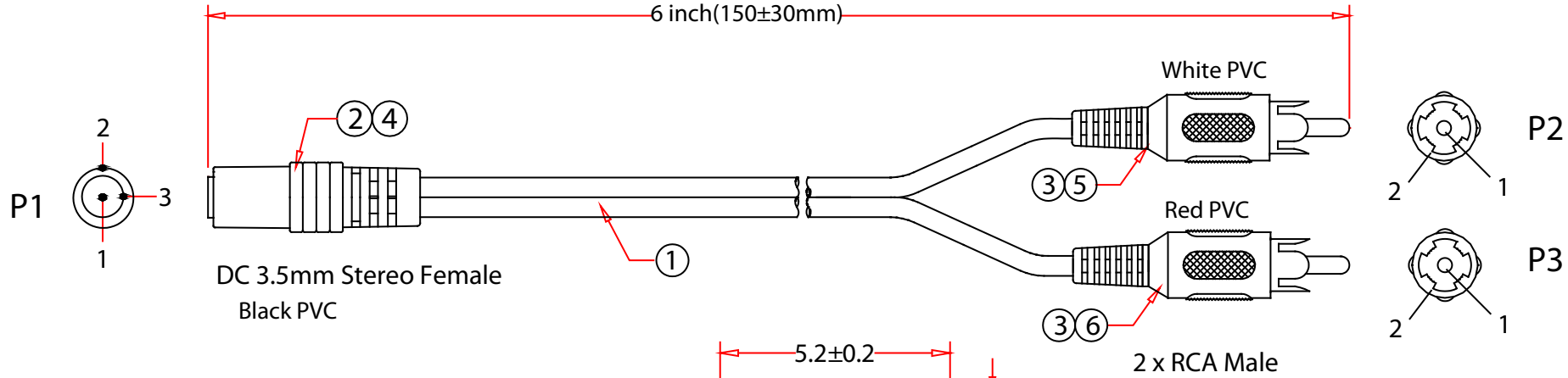


Rev.	Description	Date
A		12-2020



RoHS

Pin Assignment		
P1	P2	P3
DC 3.5 ST/F	White RCA	Red RCA
1 ——— 2		
2 ——— 2		
3 ——— 1 ——— 1		

**NOTES:**

1. Electrical Test:  
 (1) 100% Open Short & Miswire Test.  
 (2) Insulation Resistance 5 MΩ

6	Red Molded PVC	Item Number:	30S1-01261
5	White Molded PVC		
4	Black Molded PVC	Title:	3.5mm Stereo to Dual RCA Audio Adapter Cable, 3.5mm Female to Dual RCA Male (Red/White), 6 inch
3	RCA Male, Nickel Plated		
2	DC 3.5mm Stereo Female, Nickel Plated	Drawn by:	JL
1	[(10/0.10 CCS)*1C+Spiral(28/0.10 CCS)]*2F,OD: 2.6*5.2mm, Black PVC Jacket	Approved by:	MAC
No.	Specifications	ID:	1

