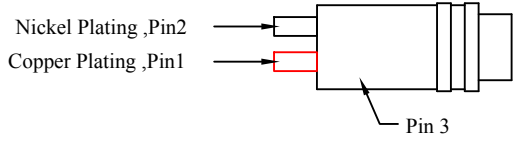
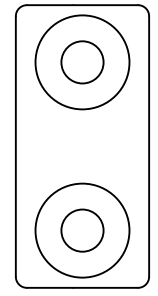
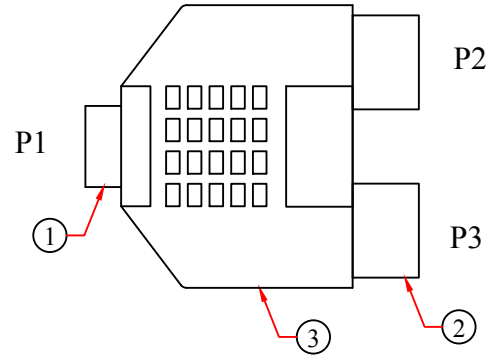


# RoHS

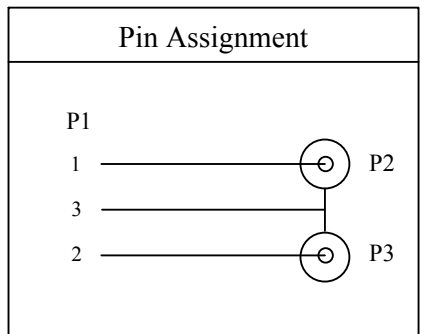
REV.	DESCRIPTION	DATE
A		10-2012



DC3.5mm Stereo Female



Front



ITEM NUMBER	30S1-01400		DRAWER	JL
TITLE	RCA to Stereo adapter, 2 x RCA Female / 1 x 3.5mm Stereo Female		CHECKED	
MATERIAL		SCALE	APPROVED	
REV.	A	UNIT	INCH	
DRAWING NO:				

3	Black Molded PVC
2	RCA Female, Shell Nickel Plated
1	DC3.5mm Stereo Female, Insulation Black, Shell Nickel Plated
NO.	SPECIFICATIONS
BOM LIST	