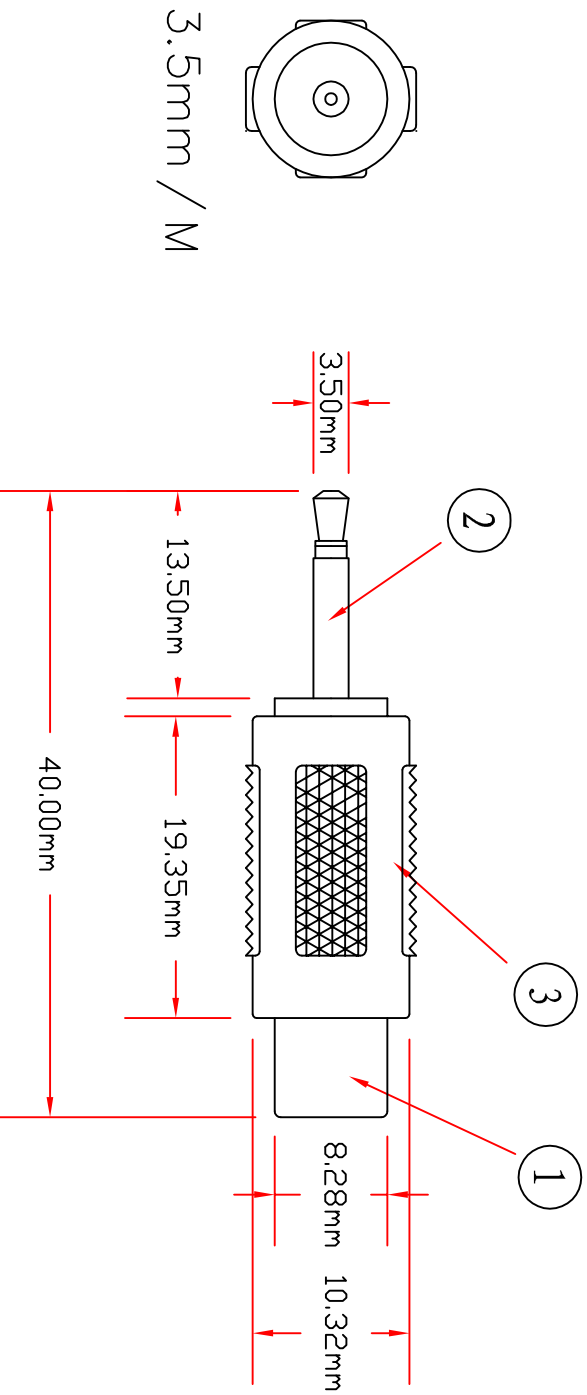


REV.	DESCRIPTION	DATE
A		
B		05-2008



RoHS
Compliant

ITEM NUMBER	30S1-12200		DRAWER	LIBRA
TITLE	3.5mm Mono Male / 1 RCA Female Audio Adaptor			
MATERIAL	SCALE	INCH		
REV. A	UNIT	APPROVED		
DRAWING NO:	CHECKED			
SPECIFICATIONS				
NO.	APPROVED			
1	RCA Female, Nickel Plated			
2	3.5mm Mono Male, Brass Nickel Plated			
3	Black PVC Molding			
BOM LIST				

