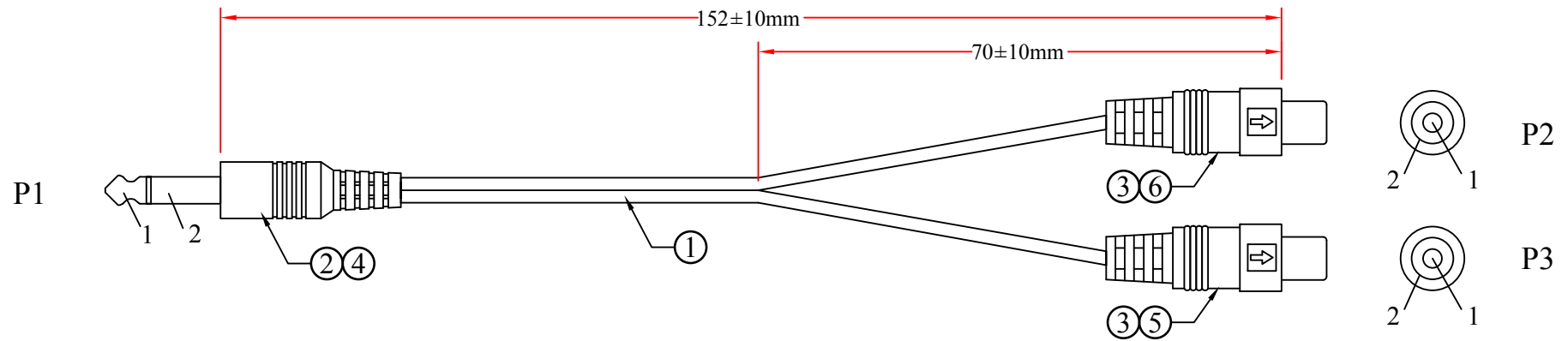


REV.	DESCRIPTION	DATE
A		08-2012



RoHS

Pin Assignment		
P1	P2	P3
1	1	1
2	2	2

**NOTES:**

1. Electrical Test:
  - (1) 100% Open Short & Miswire Test.
  - (2) Insulation Resistance 1 MΩ MIN.

NO.	SPECIFICATIONS	ITEM NUMBER	30S1-16260	DRAWER	JL
6	White Molded PVC	TITLE	1/4" Mono to RCA Y-cable adapter, 1/4" Mono Male / 2 RCA Female, 6in	CHECKED	
5	Red Molded PVC			APPROVED	
4	Black Molded PVC	MATERIAL	SCALE		
3	RCA Female, Nickel Plated	REV.	UNIT		
2	1/4" Mono Male, Nickel Plated	DRAWING NO:			
1	NON-UL [26AWG(10/0.12CCS*1C+Spiral(19/0.12CCS)]*2F,OD: 2.5*5.0mm, Black PVC Jacket				
BOM LIST					