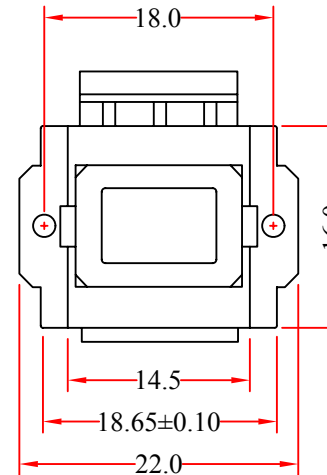
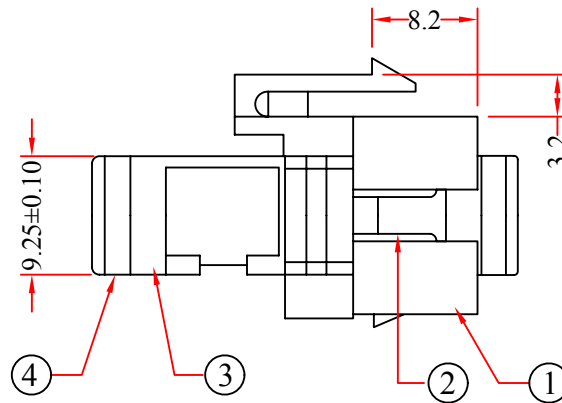
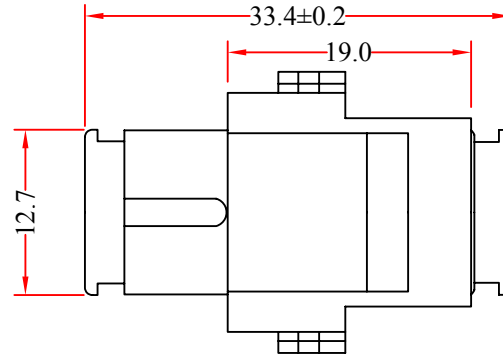
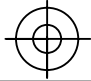
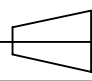


RoHS



REV.	DESCRIPTION	DATE
A		01-2014

4	Dust Cover: PP	ITEM NUMBER	30SC-SC400		DRAWER	JL
3	SC Type, PBT, Multimode, Ivory Color; Sleeve ,Phosphor Bronze	TITLE	Keystone SC Fiber Optic Network Coupler		CHECKED	
2	Clip : Stainless	MATERIAL	SCALE		APPROVED	
1	ABS UL 94V-0, White Color	REV.	A	UNIT	INCH	 
NO.	SPECIFICATIONS	DRAWING NO:				
	BOM LIST		