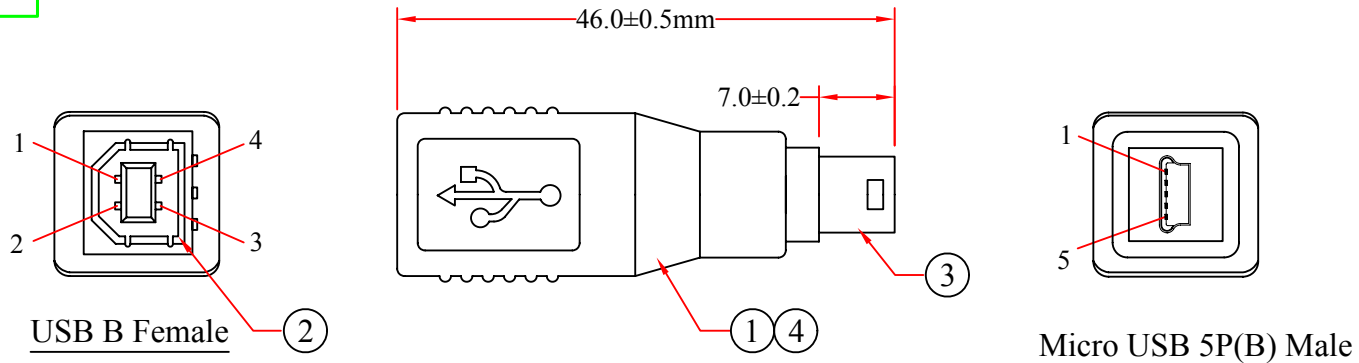
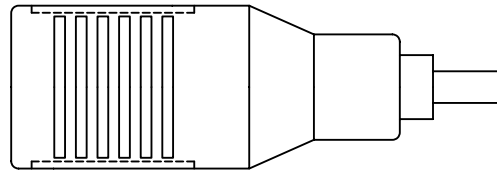


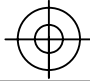
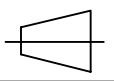
RoHS

REV.	DESCRIPTION	DATE
A		01-2014



Pin Assignment		
USB B/F		Mini B/M
1	—————	1
2	—————	2
3	—————	3
4	—————	5
Shell	—————	Shell



		ITEM NUMBER	30U1-08300		DRAWER	JL	
		TITLE	USB B Female to USB Mini-B 5 Pin Male USB Adapter		CHECKED		
		MATERIAL		SCALE	APPROVED		
		REV.	A	UNIT	MM	 	
		DRAWING NO:					
4	Black Molded PVC						
3	Mini USB 5P(B) Male, Contact:Gold Plated, Shell: Nickel Plated, Insulation Black						
2	USB 4P(B) Female, Contact:Gold Plated, Shell: Nickel Plated, Insulation White						
1	UL1007 30AWG						
NO.	SPECIFICATIONS						
BOM LIST							
						