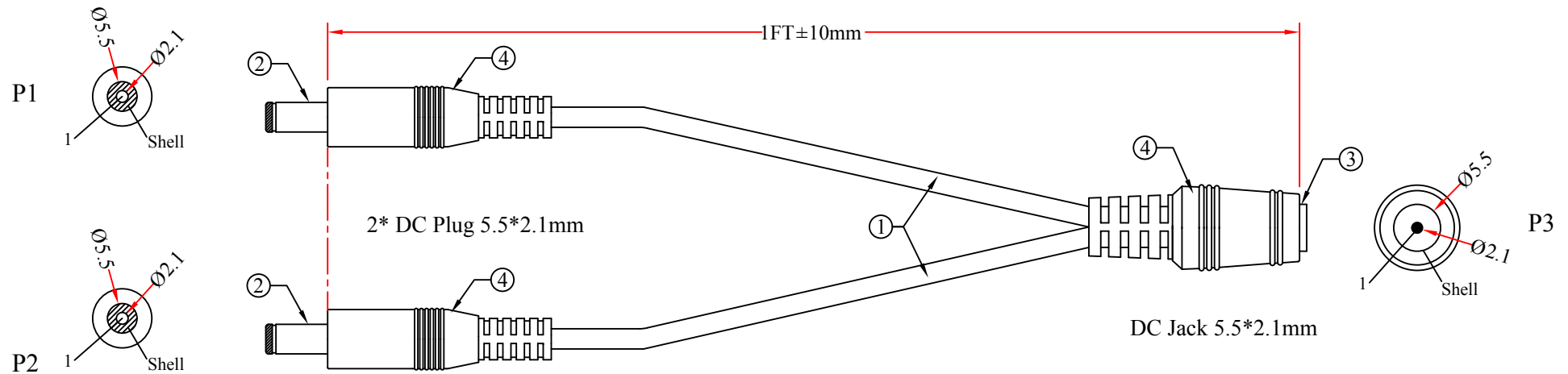


REV.	DESCRIPTION	DATE
A		05-2012



RoHS

Pin Assignment		
P1	P3	P2
1	1	1
Shell	Shell	Shell

NOTES:

- 1. Electrical Test:
- (1) 100% Open Short & Miswire Test.
- (2) Insulation Resistance 5 MΩ MIN.

	4	Black Molded PVC		ITEM NUMBER	30W1-00300	DRAWER	JL
	3	DC Jack 5.5*2.1mm, Shell: Nickel Plated, Insulation Black		TITLE	Power Y-Cable 1 Female (DC Socket) to 2 Male (DC Plug)	CHECKED	
	2	DC Plug 5.5*2.1mm, Shell: Nickel Plated, Insulation Black		MATERIAL		APPROVED	
	1	NON-UL, 1C*24AWG (14/0.12 BC) *2F, OD: 1.6*3.2mm, Black Outer PVC Jacket		REV.	A	SCALE	
	NO.	SPECIFICATIONS		UNIT	INCH		
		BOM LIST		DRAWING NO:			