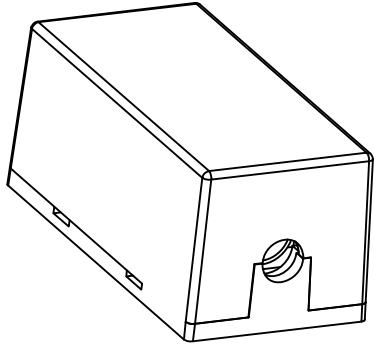
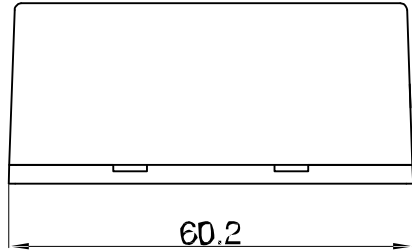
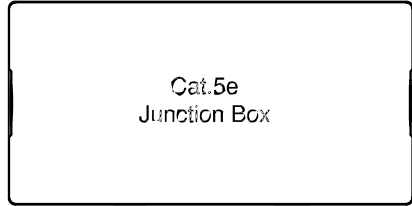
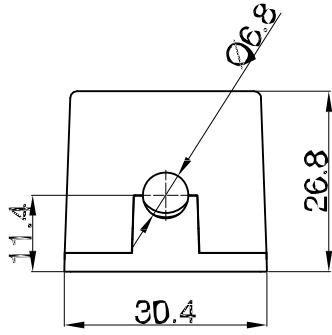
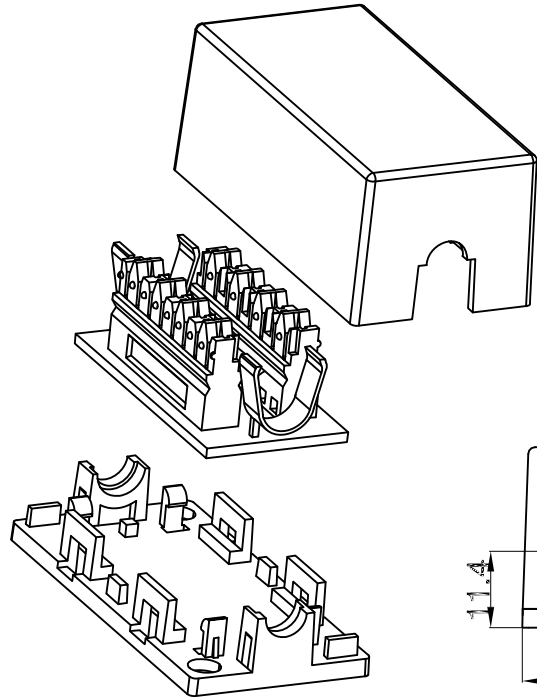
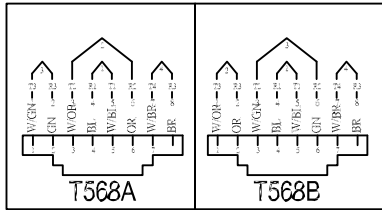


# RoHS

REV.	DESCRIPTION	DATE
A		10-2017



**PIN/PAIR ASSIGNMENTS**



**SPECIFICATION**

- 1 Connector: 110 Connector---Body: PC UL94V-0.  
Contact: Phosphor Bronze with Tin plated.
2. P.C.Board: FR4,1.6mm Double side.
3. Operation Temperature : -10° C to 60° C.

ITEM NUMBER	30X6-11100		DRAWER	JL
TITLE	Cat.5e Unshielded Inline Coupler Junction Box		CHECKED	
MATERIAL	SCALE		APPROVED	
REV.	A	UNIT	INCH	
DRAWING NO:			<p>888-212-8295.com CableWholesale.com</p>	
ID(NO.)	108			

NO.	SPECIFICATIONS
	BOM LIST