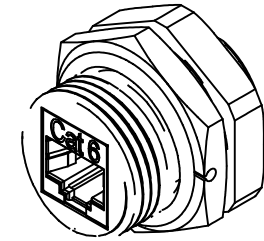
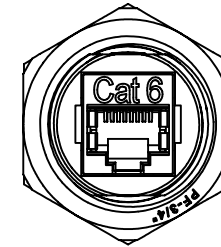
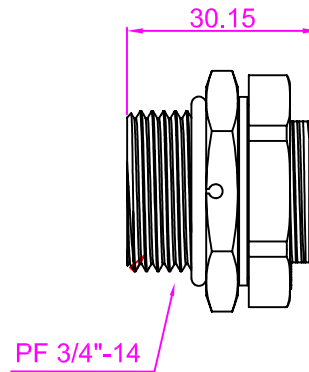
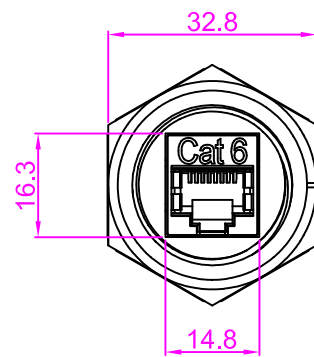


Rev.	Description	Date
A		09-2018



### Material

Main Body: PBT High-impact UL94V-0 Thermoplastic, 30% Glass Fiber Filled.  
 Shielded Case: Copper C2680, T=0.25mm, 30u" Nickel Plated.  
 Coupler Housing: ABS High-impact UL 94V-0 Thermoplastic.  
 Spring Wire: Phosphor Bronze 5100W Temper Wire,  $\Phi=0.45\text{mm}$ ,  
 50u" Gold Over 100u" Nickel Undercoat

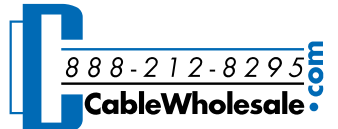
### Physical Characteristics

Insertion Life: 750 Mating Cycles with FCC Compliant 8P Plug  
 Contact Force: 100 Grams with FCC Compliant 8P Plug  
 Plug Retention Force: 11 LBF Min.  
 Operating Temperature Range : -40 °C to 60 °C  
 Storage Temperature Range : -40 °C to 68 °C  
 Humidity: 10%~90%RH.

### Electrical

Insulation Resistance: 500 M $\Omega$   
 Dielectric Withstanding Voltage: 1000V AC  
 DC Current Rating: 1.5 Amps  
 DC Resistance: 0.1  $\Omega$   
 Contact Resistance: 20m $\Omega$

RoHS

Item Number:	30x8-70400	
Title:	Shielded Outdoor Waterproof Cat6 Coupler, RJ45 Female to Female, Wall Plate Mount	
Drawn by:	JL	
Approved by:	MAC	
ID:	108	

No.	Specifications
-----	----------------