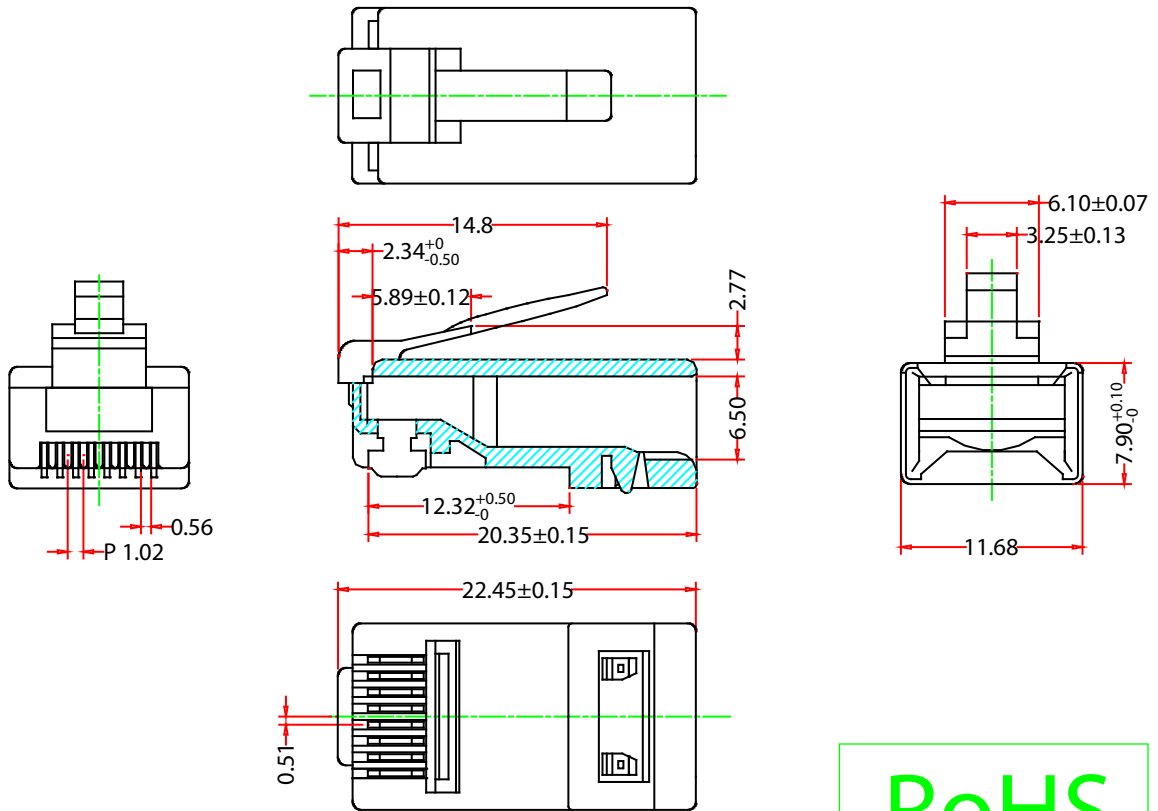
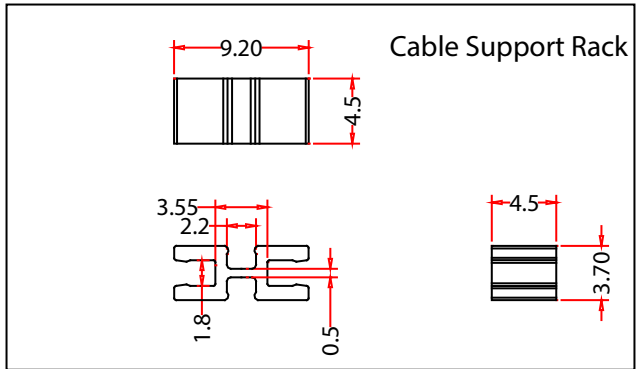
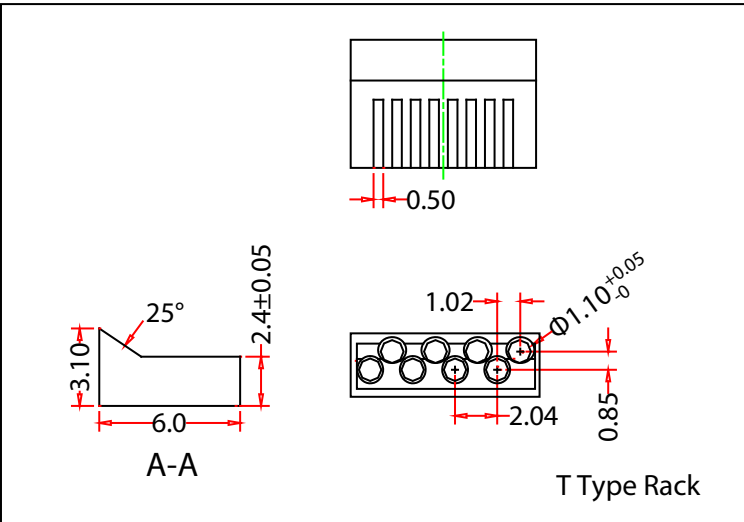


Rev.	Description	Date
A		03-2019



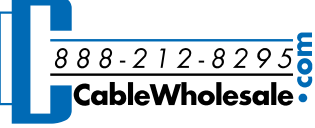
RoHS

Inspection for Environmental Protection:
Comply with EU RoHS Standard and REACH SVHC Substances of High off Using the Standard

- Electrical Test:**
- 250V AC Max, at 2A
 - Dielectric withstanding 1000V DC/min, <math>< 0.5A</math>
 - Insulation Resistance: >500MΩ, 1000V DC/Min.

- Mechanical:**
- Cable-to-plug Tensile Strength-20LBS(89N)min.
 - Durability: 2000 Mating Cycles

Operating Temperature: -40°C to 125°C

Item Number:	31D0-62050	
Title:	Cat6a RJ45 Crimp Connectors for Stranded Cable with wire insert guide and spacer bar (50 Connectors / Bag)	
Drawn by:	JL	
Approved by:	MAC	
ID:	280	

No.	Specifications
-----	----------------