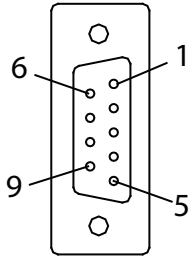
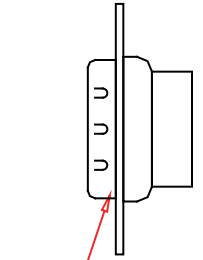


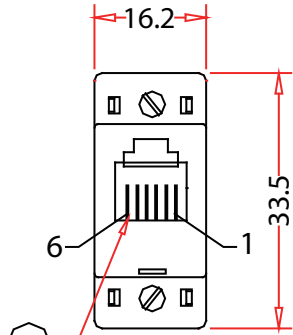
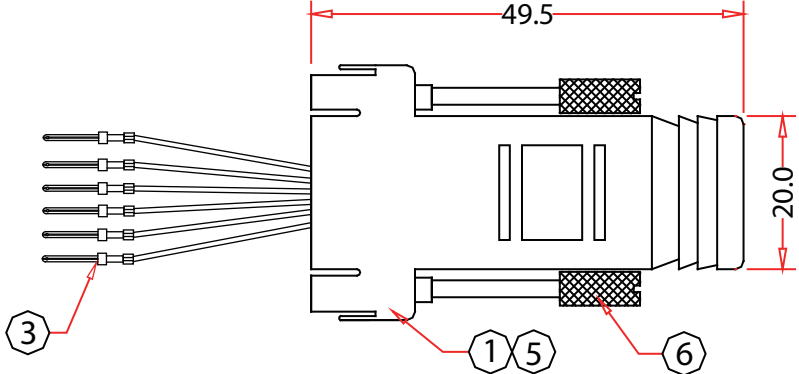
Rev.	Description	Date
A		12-2020



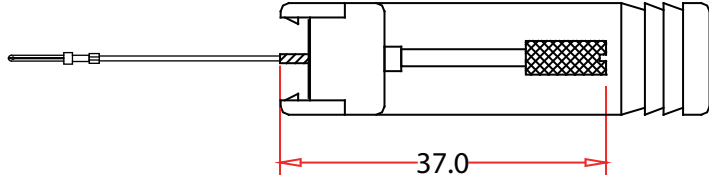
DB9/M



2

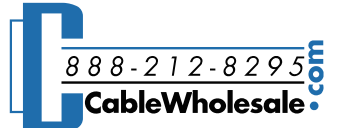


RJ12



RoHS

Pin Assignment	
RJ12	Color
1	Blue
2	Yellow
3	Green
4	Red
5	Black
6	White

6	Screw: Iron Nickel Plating	Item Number:	31D1-16210	
5	Gray ABS Cover (DB9P/RJ12)		Title:	Modular Adapter, Gray, DB9 Male to RJ12 Jack
4	RJ12 6P6C Jack	Drawn by:		JL
3	DB9P Male Terminal, Brass		Approved by:	MAC
2	DB9P Male Rubber Core / Black	ID:		1
1	Copper Wire			
No.	Specifications			