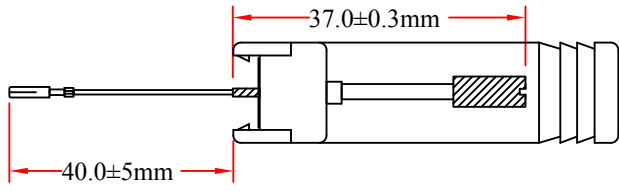
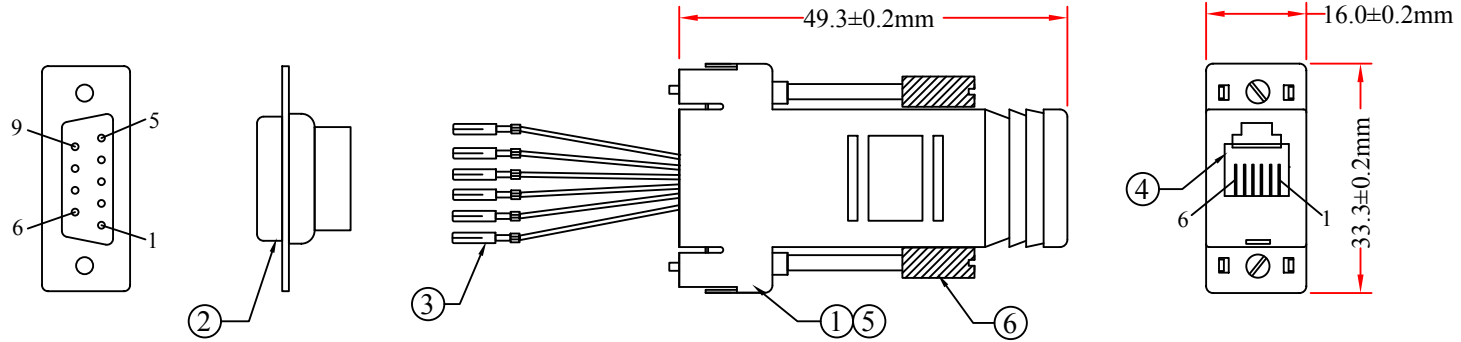


RoHS

REV.	DESCRIPTION	DATE
A		05-2012



Pin Assignment	
6P6C	Open
1	White
2	Black
3	Red
4	Green
5	Yellow
6	Blue

PART NO.	COLOR
31D1-1640BK	Black
31D1-16400	Gray

NO.		SPECIFICATIONS	ITEM NUMBER	31D1-1640xx		DRAWER	JL
6	Screw #4-40 Ø4.5*37.0mm		TITLE	DB9 Female to RJ12 Adaptor		CHECKED	
5	ABS Cover(DB9P/RJ12)		MATERIAL	SCALE		APPROVED	
4	RJ12 6P6C Jack		REV.	A	UNIT	INCH	
3	DB9P Female Terminal		DRAWING NO:				
2	DB9P Female ,Shell: Nickel Plated, Insulation Black						
1	UL1061 26AWG Wire						
NO.		SPECIFICATIONS					
		BOM LIST					

