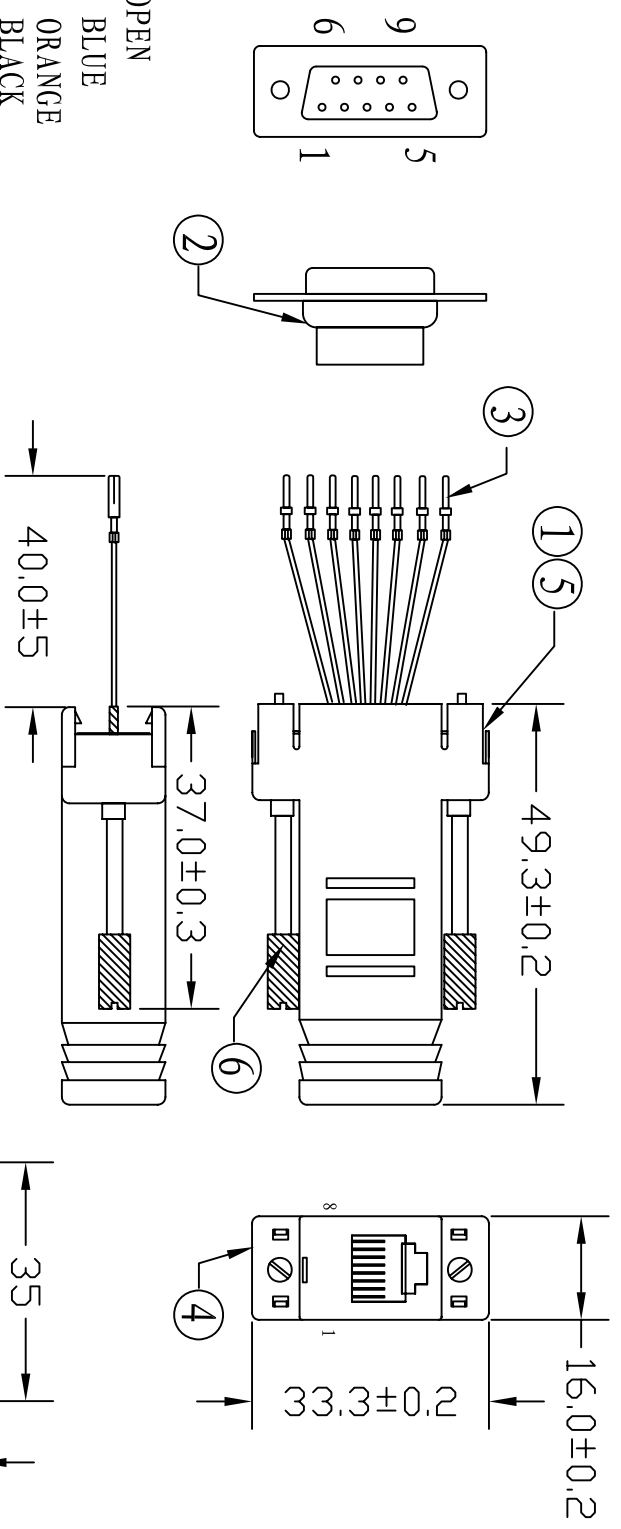
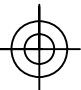
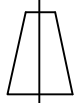


- PIN OUT:
- | | |
|------|--------|
| 8P8C | OPEN |
| 1 | BLUE |
| 2 | ORANGE |
| 3 | BLACK |
| 4 | RED |
| 5 | GREEN |
| 6 | YELLOW |
| 7 | BROWN |
| 8 | WHITE |



MATERIAL LIST :

NO.	P/NAME	DESCRIPTION	Q'TY
1	CABLE	UL1061 26AWG ELECTRON WIRE	8
2	CONN	DB9PIN FEMALE INSULATE: BLACK	1
3	TERMINAL	DB9P FEMALE TERMINAL	8
4	CONN	RJ45 JACK	1
5	SHELL	GREEN ABS SHELL (DB9P/RJ45)	1SET
6	SCREW	4.5*37.0MM SCREW #4-40	2
7	PACKING	1PCS/PE BAG: 06*3"*4" (SMALL PE BAG MARKING ITEM AND ROHS), 50PCS/PE BAG: 06*11"*18" (NEED A LABEL THAT SHOWS THE QUANTITY)	1
8	CTN	PCS/CTN (39*39*27CM)	1

MOLD TOOL NO.		<p style="text-align: center;">CABLEWHOLESALE.COM</p>		
	SCALE			UNIT
	MM			REV
FILE NAME	CUSTOMER	A		
0W0907042				
DATE	P/N	31D1-1740GR		
09/07/23				

ROHS

DRAWN BY	BOB
CHECKED BY	
CONFIRMED BY	
CHECKED BY	
APPROVED BY	