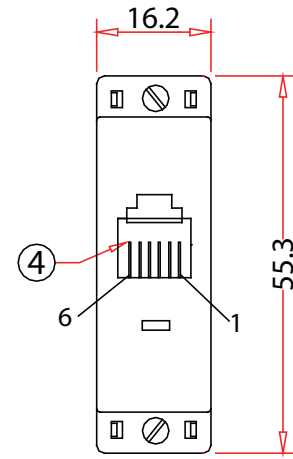
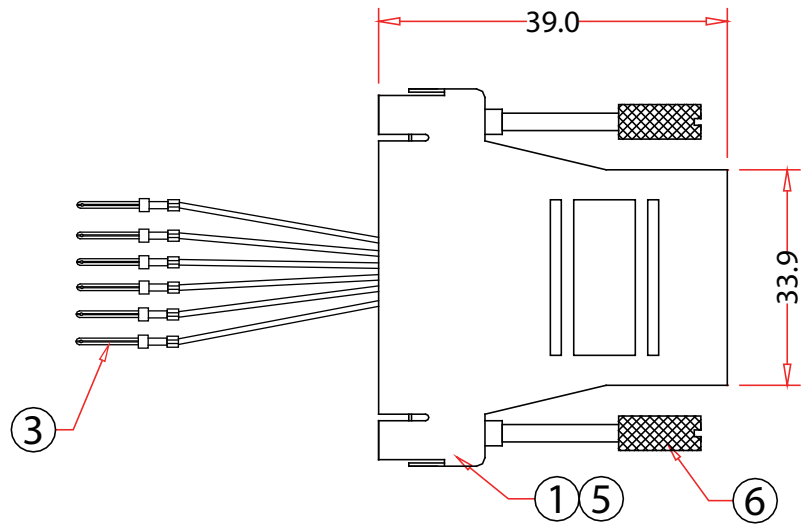
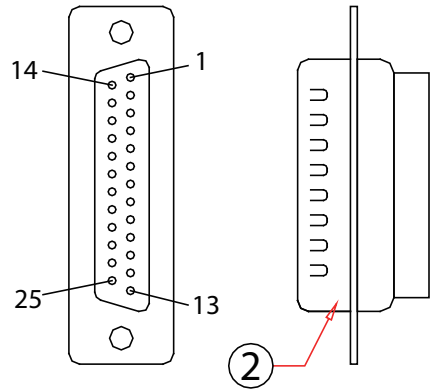
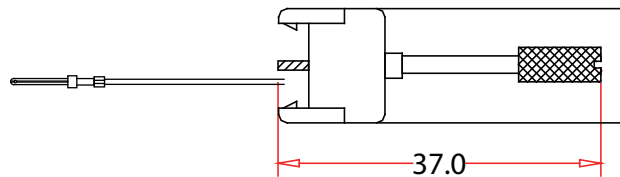


Rev.	Description	Date
A		12-2020

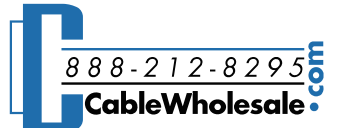


RJ12



RoHS

Pin Assignment		
RJ12		Color
1	_____	Blue
2	_____	Yellow
3	_____	Green
4	_____	Red
5	_____	Black
6	_____	White

6	Screw: Iron Nickel Plating	Item Number:	31d3-36210
5	Gray ABS Cover (DB25P/RJ12)	Title:	Modular Adapter, Gray, DB25 Male to RJ12 Jack
4	RJ12 6P6C Jack	Drawn by:	JL
3	DB25P Male Terminal, Brass	Approved by:	MAC
2	DB25P Male Rubber Core / Black	ID:	1
1	Copper Wire		
No.	Specifications		