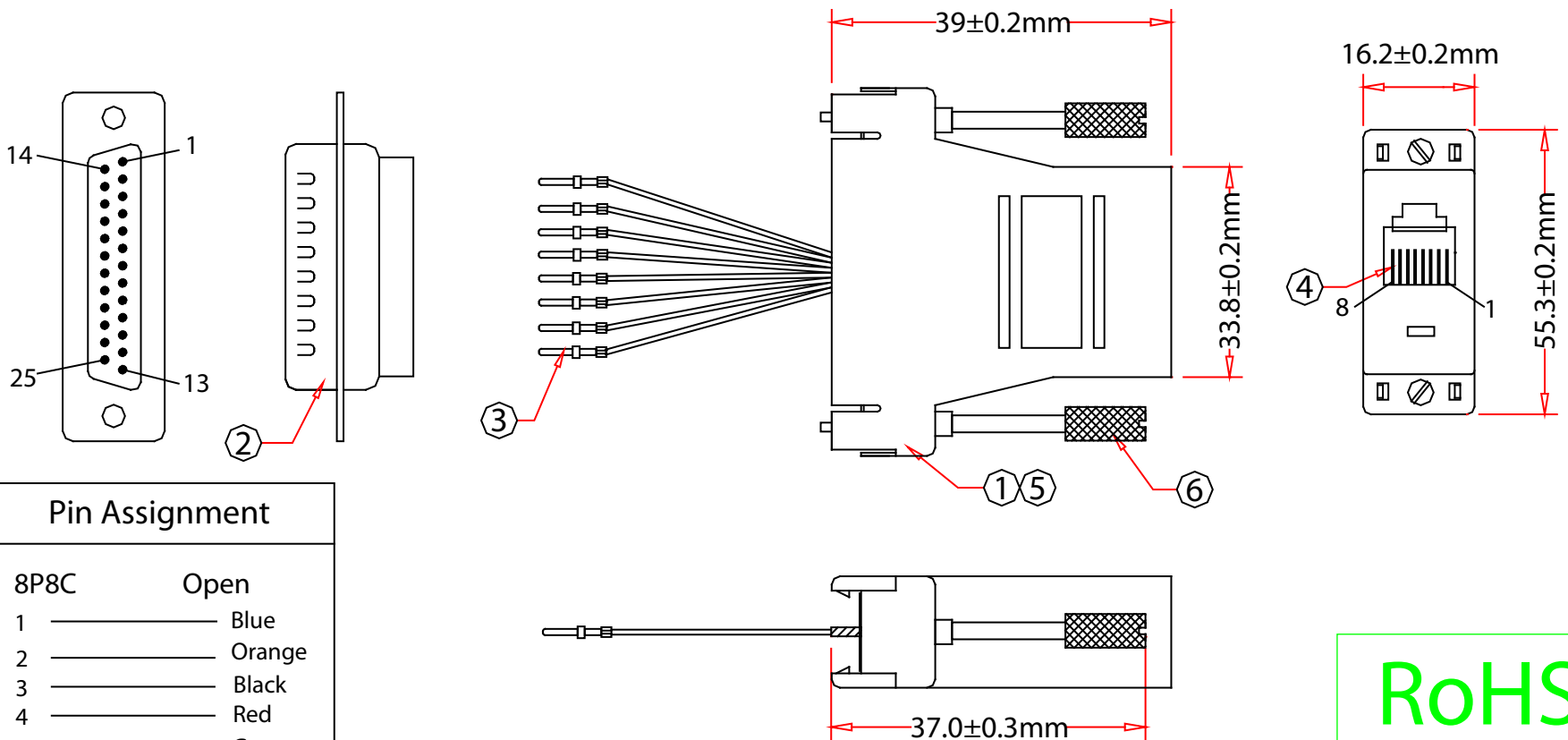
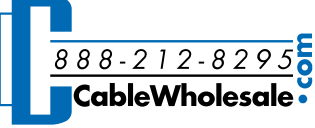


Rev.	Description	Date
A		011-2019



Pin Assignment	
8P8C	Open
1	Blue
2	Orange
3	Black
4	Red
5	Green
6	Yellow
7	Brown
8	White

RoHS

6	Screw, L:37.0mm	Item Number:	31D3-37200
5	ABS Cover(DB25P/RJ45), Green	Title:	DB25 Male to RJ45 Adaptor, Green
4	RJ45 8P8C Jack, Pin Gold Plating	Drawn by:	JL
3	DB25P Male Terminal	Approved by:	MAC
2	DB25P Male ,Shell Nickel Plated, Insulation Black	ID:	1
1	Wire	 888-212-8295.com	
No.	Specifications		